

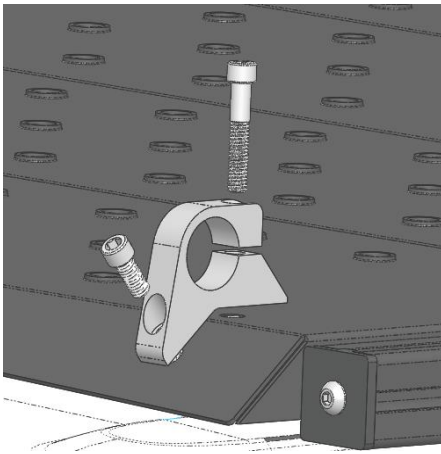
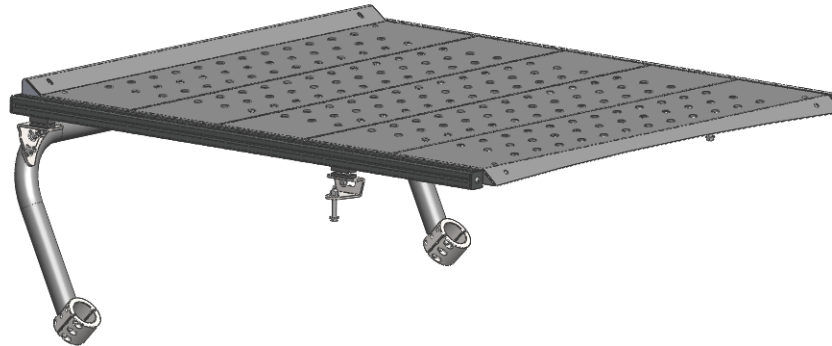


## 60360 Installation Instructions

\*Do not tighten until last procedure\*

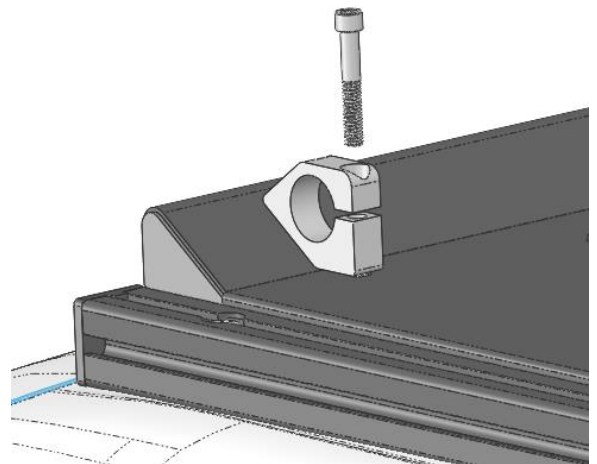
### Step 1

- Be sure to have JK-MOD-RAK Low-Pro (55070) installed on JEEP prior to installation of aluminum fence kit (60360).



### Step 2

- Bolt front mounts (60360-00-002-R1 ) to front of Low Pro platform using one 5/16" x 5/8" and 5/16" x 2.25" socket head cap screw on each mount.



### Step 3

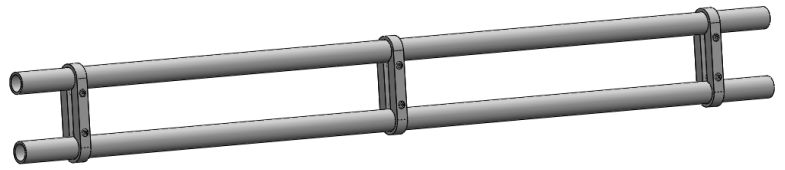
- Bolt rear mounts (60360-00-001-R1) to rear of Low Pro platform using one 5/16" x 5/8" socket head cap screw, 5/16" x 2.25" socket head cap screw, 5/16 lock washer and one 5/16" flat washer on each mount.



For TECHNICAL SUPPORT Call: 800-343-7486 Monday - Friday 7:30 A.M. to 4:00 P.M (PST)

#### Step 4

- Slide 3 parallel mount brackets on to each 46" aluminum tube.
- Insert the six 1/4" x 1.5" socket head cap screws into parallel brackets.



#### Step 5

- Slide one tube into each front and rear bracket that was previously installed.
- Position parallel brackets as you desire and tighten all brackets into place

#### Step 6

- Push end caps into the end of tubes.

Your installation is now complete.

