



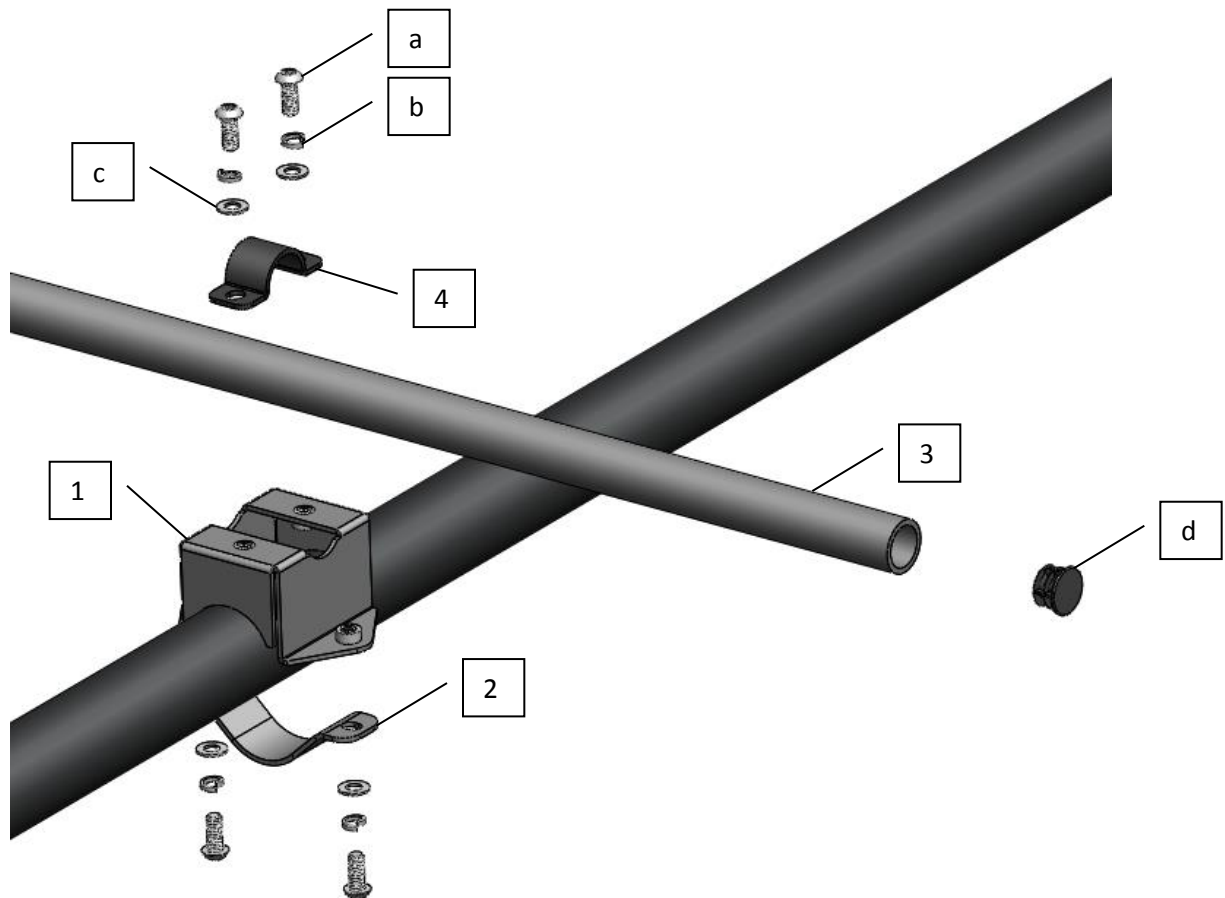
60331 Installation Instructions

Step 1

- Be sure to have Congo Pro JK A-Frame (55015), Congo Pro JK Rear Hoop (55026) and either 4dr Roof Rails (55025) or 2dr Roof Rails (55020) installed on your JEEP.

*2 door shown

****DO NOT TIGHTEN ANY BOLTS UNTIL ALL BOLTS ARE INSTALLED****



Step 2

- Position main assembly (60331-11)(1) into place along the Congo Pro roof rail.
- Insert 2" strap (60331-00-001)(2) and clamp around roof rail using 5/16" button head (a), 5/16" lock washer (b) and 5/16" flat washer (c).
- Place Load Bar (60000-00-066)(3) on top of main assembly. Insert end caps (d) into ends of tube.
- Insert 1 1/8" strap (60000-00-001)(4) and clamp around load bar using 5/16" button head (a), 5/16" lock washer (b) and 5/16" flat washer (c).

Step 3

For TECHNICAL SUPPORT Call: 800-343-7486 Monday - Friday 7:30 A.M. to 4:00 P.M (PST)

- Repeat for other 3 brackets.

Your installation is now complete