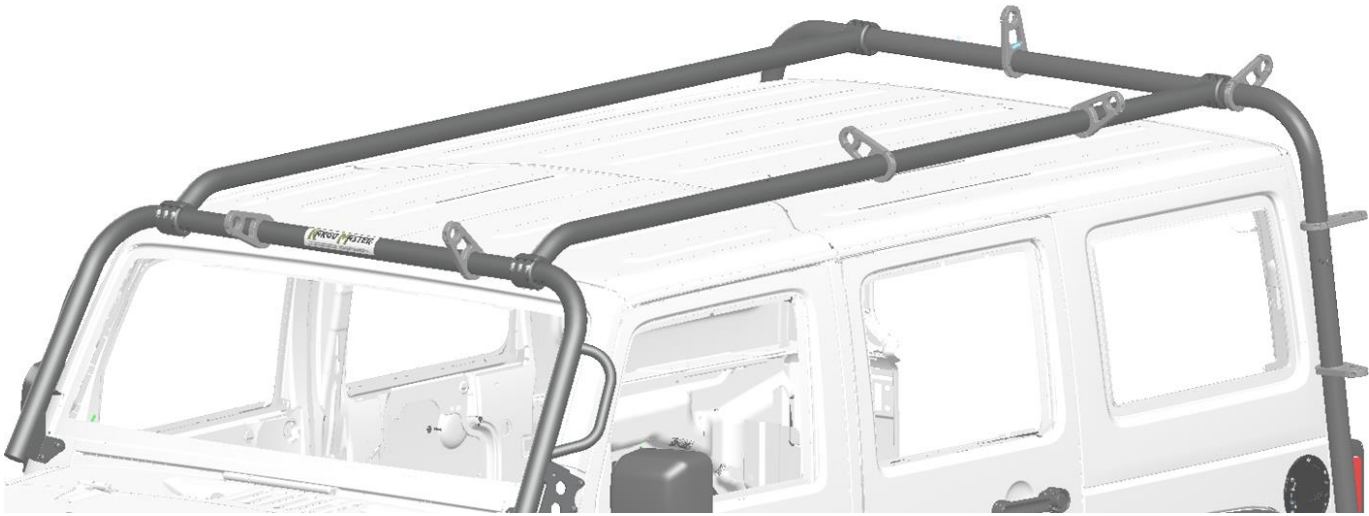




## Standoff Bracket (60320/60321) Installation Instructions



### Step 1

- There are multiple uses for the standoff bracket. You can mount the 2" standoff bracket anywhere on a 2" tube. Mount around the tube using two 5/16 x 7/8" socket head cap screw.
- The picture about shows different example of where and how the brackets can be mounted.
- Get creative and use the standoff bracket for all of your mounting needs!

