

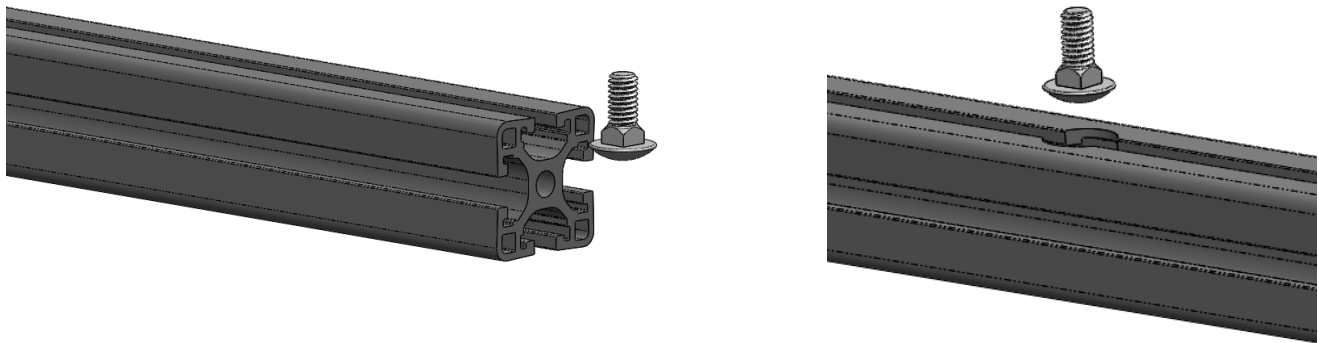
# **HMS**

## **KARGO MASTER SAFARI**

### Grab Rail Installation Instructions - R1

#### Step 1

- Remove end caps from extrusion.
- Slide four 5/16" x 3/4" carriage bolts into the top of the extrusion. Either slide from the end of the extrusion or through one of the access holes.



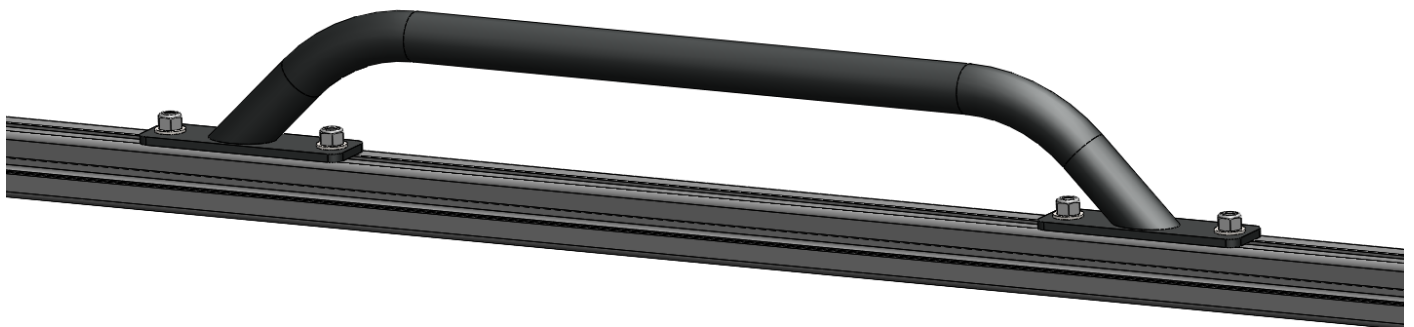
#### Step 2

- Place Grab-Rail and match up with fasteners previously installed. Attach top of Grab-Rail to carriage bolts using four 5/16" flat washers and four 5/16" NYLOC nuts.
- Snug tighten



#### Step 4

- Position your Grab-Rail in desired location.
- Tighten nuts and bolts to secure K-Rail.



Your installation is now complete.