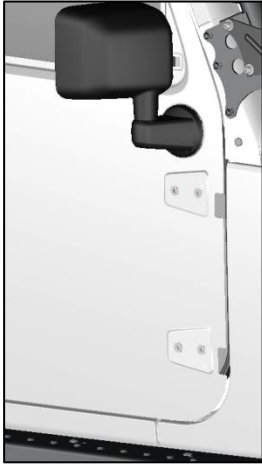
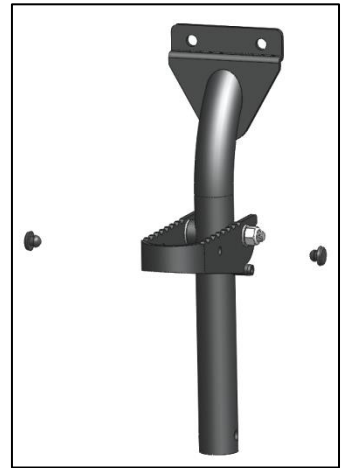




60260 Installation Instructions

Step 1

- Insert rubber bumpers (9309K16) into both sides of each 60260-12 assembly.



Step 2

- Be sure door is shut and latched.
- Remove top two TORX bolts using a T50 drive.
- Leave bottom hinge bolts attached and tight. (This is so you do not have to re-align door)

Step 3

- Install step assembly (60260-12) in position of previously removed bolts.
- Bolt to door using two M8 x 30mm button head bolts, two M8 split lock washers and two M8 flat washers.
- If desired, place protective piece between step and door.
- Tighten Bolts



Step 4

- Remove bottom two TORX bolts from door hinge using a T50 drive.
- Bolt bottom support (60260-00-002) to door hinge in the same location of previously removed bolts. Use two M8 x 30mm button head bolts, two M8 split lock washers and two M8 flat washers.
- If desired, place protective piece between step and door.
- Do not tighten.

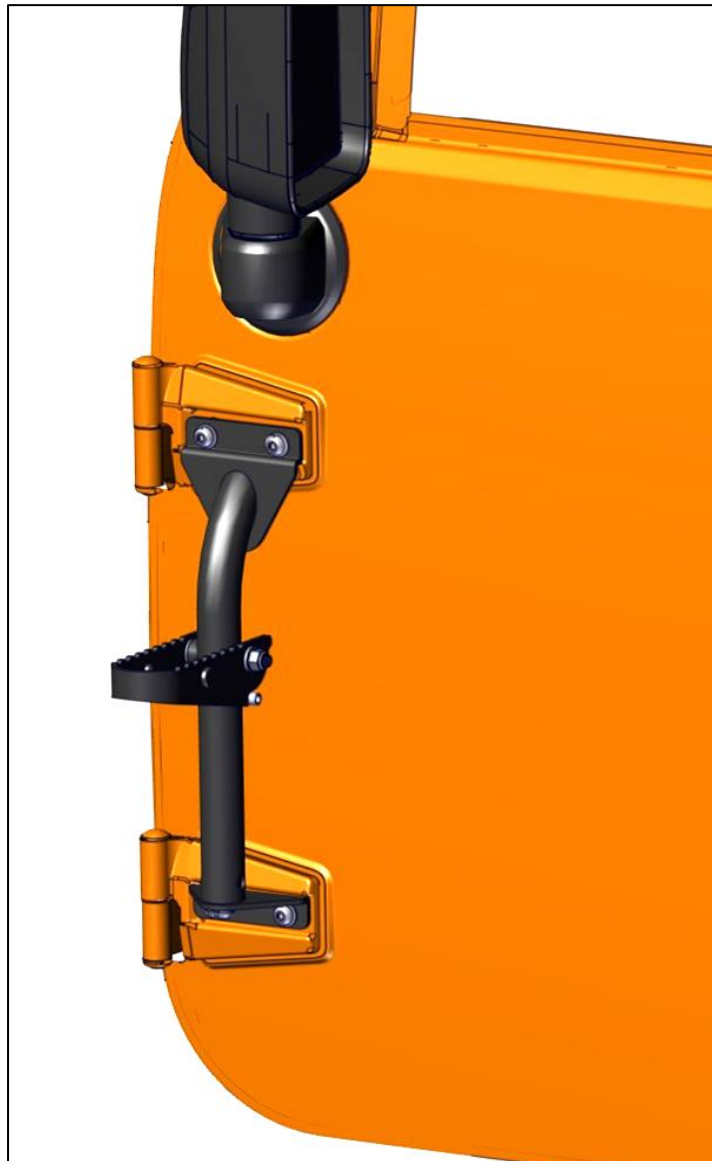
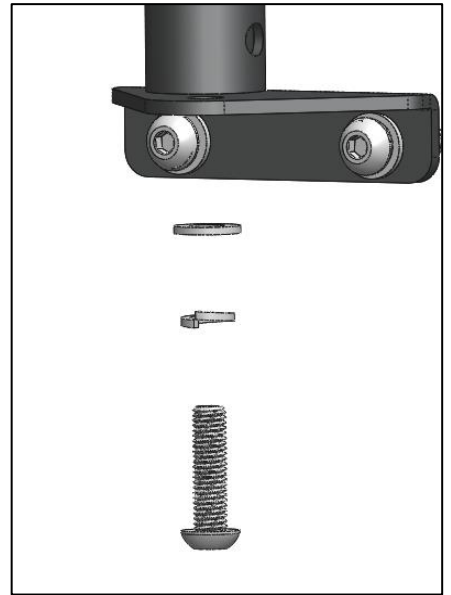


Step 5

- Bolt bottom support (60260-00-002) to step assembly (60260-12) using one M8 x 30mm button head bolt, one M8 split lock washer and one M8 flat washer.
- Snug Tighten

Step 6

- Tighten bolts from step 4 into door hinge.
- Tighten bolt from step 5.
- Repeat on passenger side.









60260 Hardware List

Tools Needed

<p>M5 Hex TORX 50 Drive</p>

Hardware Pack

(A) QTY - 10 M8 x 30 Button Head	
(B) QTY - 10 M8 Flat Washer	
(C) QTY - 10 M8 Split Lock Washer	
(D) QTY - 4 Rubber Stop	

For TECHNICAL SUPPORT Call: 800-343-7486 Monday - Friday 7:30 A.M. to 4:00 P.M (PST)



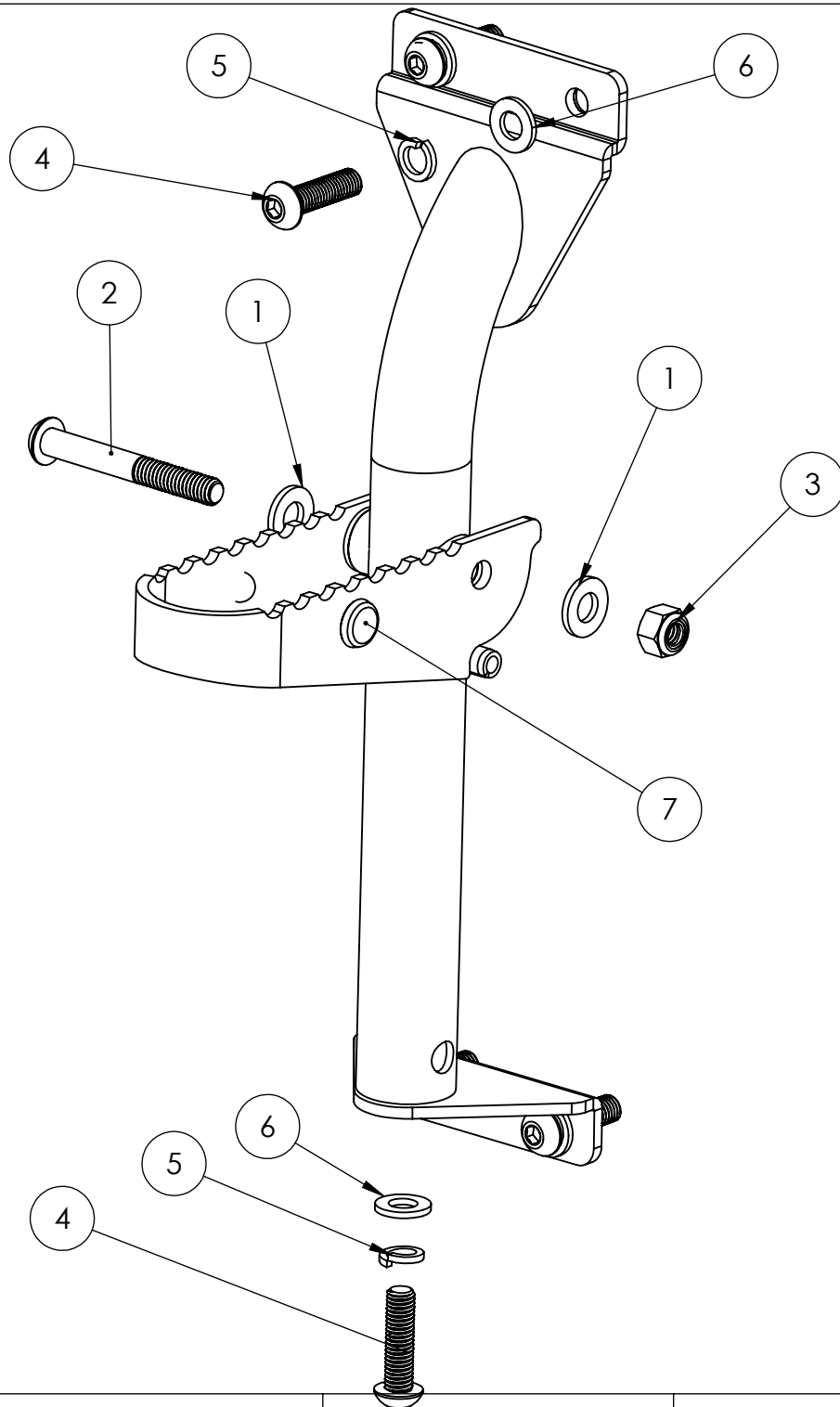
60260 Parts List



Your installation is now complete.

For TECHNICAL SUPPORT Call: 800-343-7486 Monday - Friday 7:00 A.M. to 4:00 P.M (PST)

For TECHNICAL SUPPORT Call: 800-343-7486 Monday - Friday 7:00 A.M. to 4:00 P.M (PST)



ITEM NO.	PART NUMBER	DESCRIPTION	QTY.
1	90126A030	5/16" Flat Washer - SAE	2
2	92949A593	5/16"-18 x 2 1/4" Button Head	1
3	95615A160	5/16" - 18 NYLOC	1
4	91239A428	M8 x 1.25 x 30mm Button Head	5
5	94241A550	M8 Split Lock Washer; OD < 13mm	5
6	91166A270	M8 Flat Washer	5
7	9309k16	Rubber Stop	2

UNLESS OTHERWISE SPECIFIED:
 DIMENSIONS ARE IN INCHES
 TOLERANCES:
 FRACTIONAL: ± 1/16
 ANGULAR: ± 1°
 TWO PLACE DECIMAL ±0.03
 THREE PLACE DECIMAL ±0.010

KMS
KARBO MASTER SAFARI
 Tel 916-638-8703
 Fax 916-638-0177
 11261 Trade Center Drive
 Rancho Cordova, CA 95742

PROPRIETARY AND CONFIDENTIAL: THE INFORMATION CONTAINED IN THIS DRAWING IS THE SOLE PROPERTY OF KARBO MASTER, INC.. ANY REPRODUCTION IN PART OR AS A WHOLE WITHOUT THE WRITTEN PERMISSION OF KARBO MASTER, INC. IS PROHIBITED.
 Description:
 Hinge Step - Pair
 DWG #: 60260
 SCALE 1:2
 cu. in Wt: 2.25 lb Sheet 1 of 1

Project: Material: Finish: Date: 5/31/2017 Update: Dwn By: Johnng

5

4

3

2

1