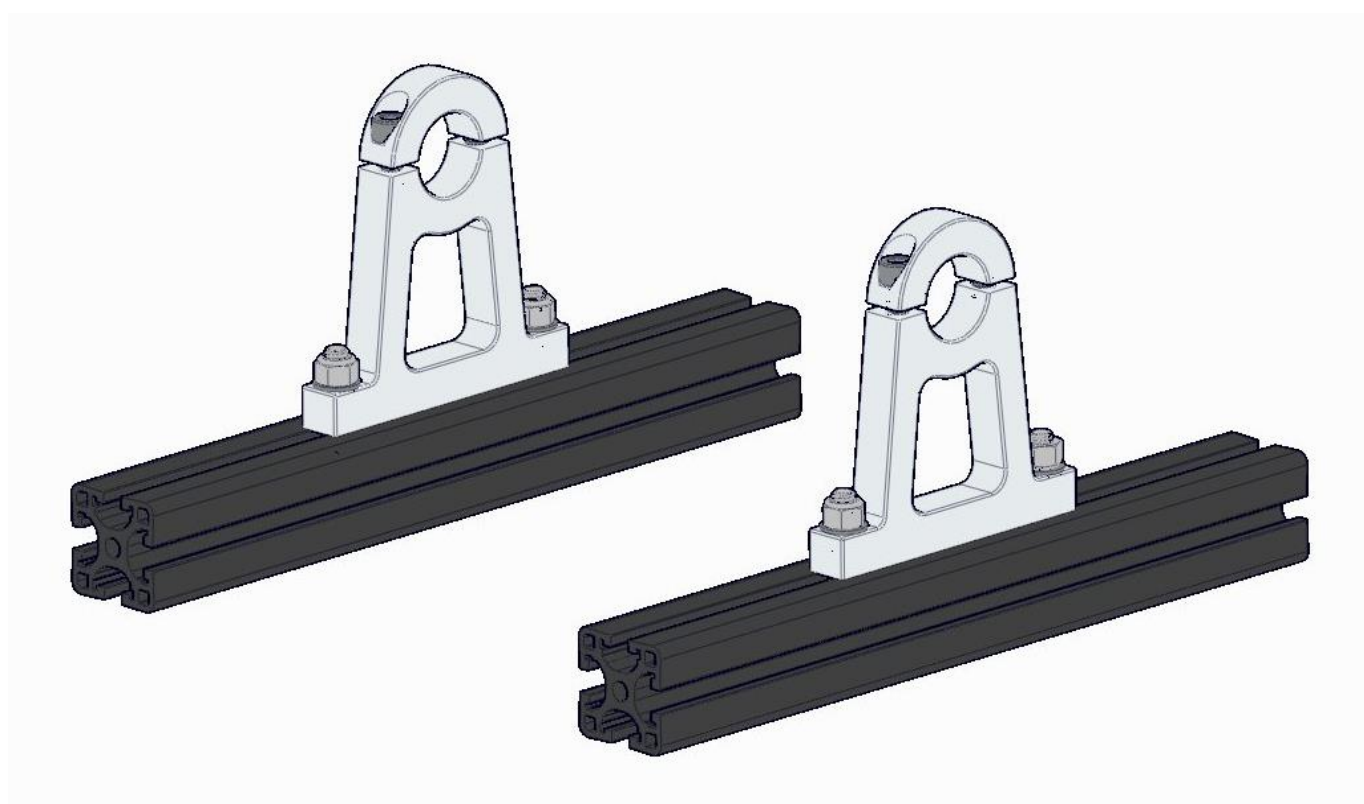




---

# Installation Guide

---



60223

---

Kargo Master Safari  
Rancho Cordova, CA 95742  
800-343-7486  
customerservice@kmsafari.com

---

---

**\*PLEASE READ ALL INSTRUCTIONS AND WARNINGS PRIOR TO ASSEMBLING,  
INSTALLING AND USING THIS PRODUCT\***

---

**Warning**



Always check for wires, fuel tanks and lines, brake lines and other important vehicle functionality items prior to drilling and installing all products.

---

**Tools Needed**

- 1/2" Socket and Wrench
  - 1/4" Allen Hex
- 

**Table of Contents**

Parts List .....	3
Hardware List .....	3
Step 1-3 Tombstone Mounting .....	4
Step 2 Load Bar Mounting.....	4-5

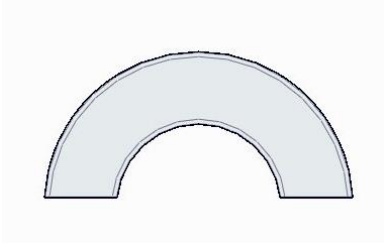
---

**Before You Begin**

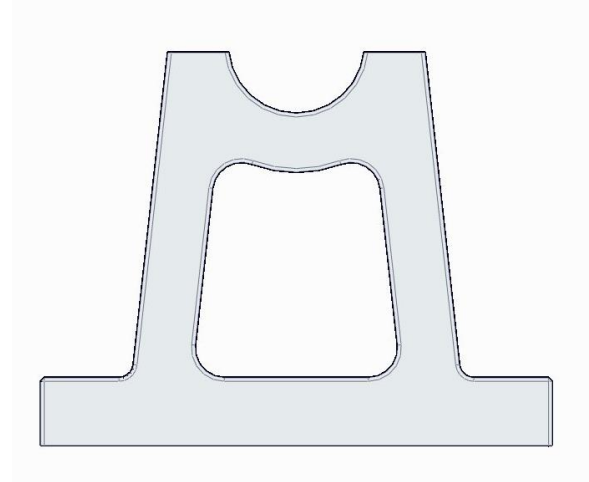
Be sure to have platform built. Extrusion will be needed to mount this product

Do not tighten bolts until told to do so.

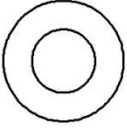

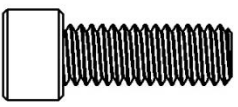
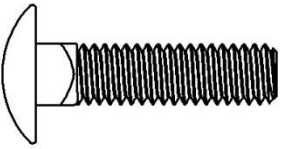
Snug to allow movement, Yet also stay together.



**2x**  
**60223-00-001**  
**Tombstone Cap**



**2x**  
**60223-00-001**  
**Tombstone Base**

	PART NUMBER	Description	QTY.
	91090A110	5/16 Flat Washer, OD .625"	4
	95615A160	5/16" Nyloc Nut	4
	90128A583	5/16"-18 x .875" SHCS	4
	90185A589	5/16"-18 x 1.25" Carriage Bolt	4

## Step 1

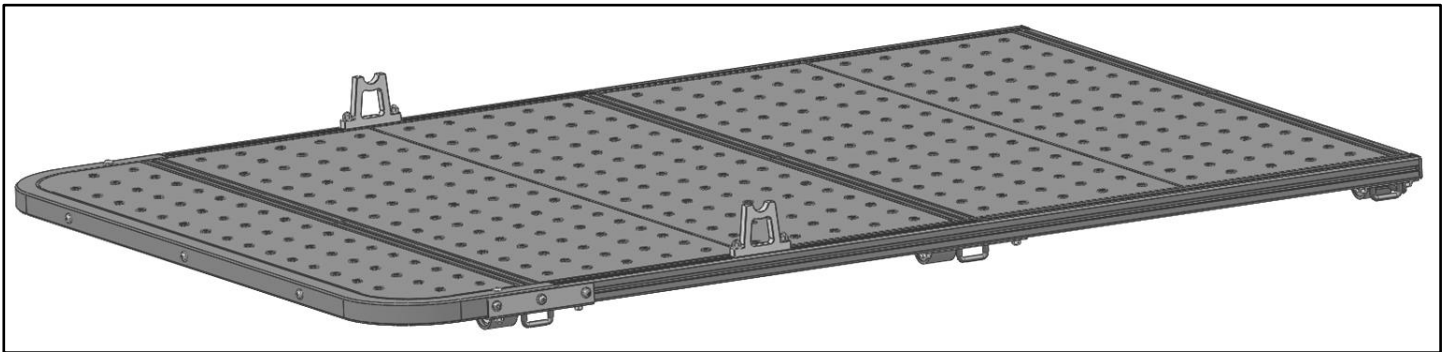
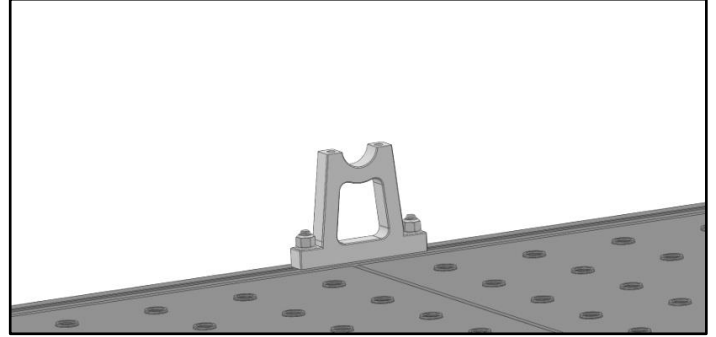
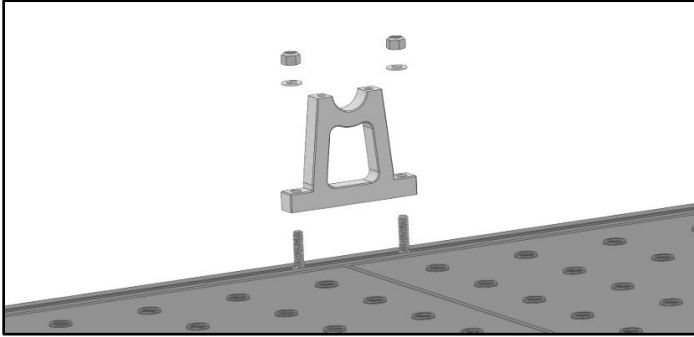
- Have a roof rack installed with extrusion. Racks include 55060, 55070 and 55075.

## Step 2

- Drop 2 carriage bolts into extrusion through center access hole. One can take front or rear cap off extrusion and slide carriage bolt from the end if desired.

## Step 3

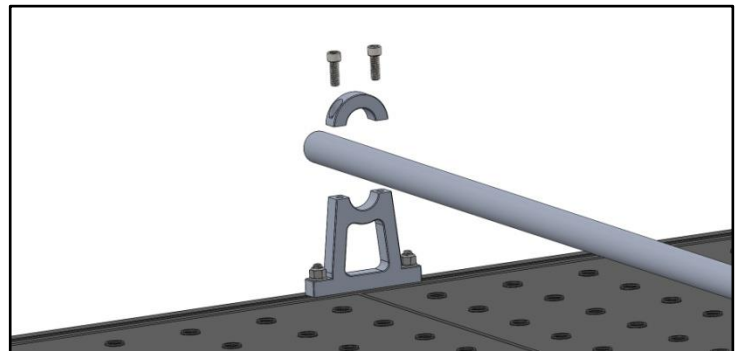
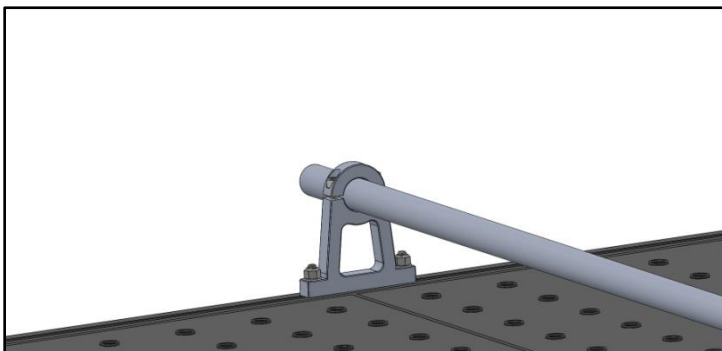
- Place Tombstone base (60223-00-001) on top of carriage bolts. Bolt using 5/16" flat washer and 5/16" Nyloc Nut.
- Adjust mount where desired along extrusion.

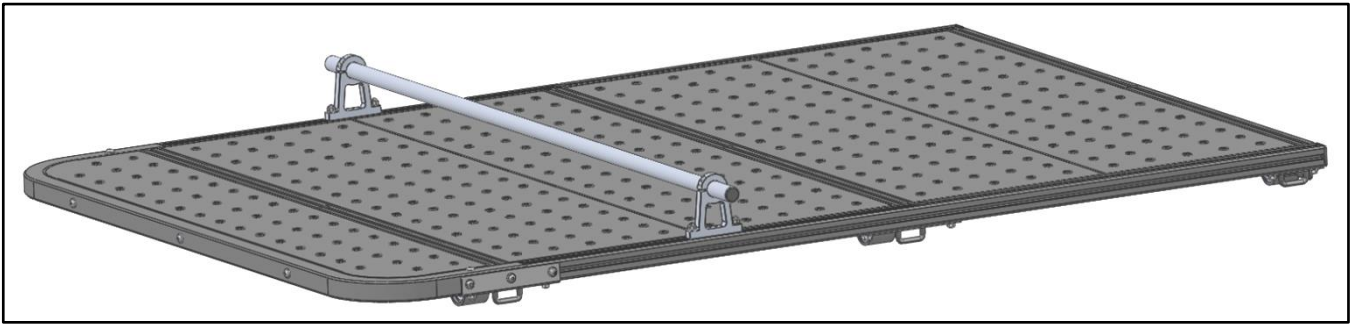


Tombstone mount shown on EXP

## Step 4

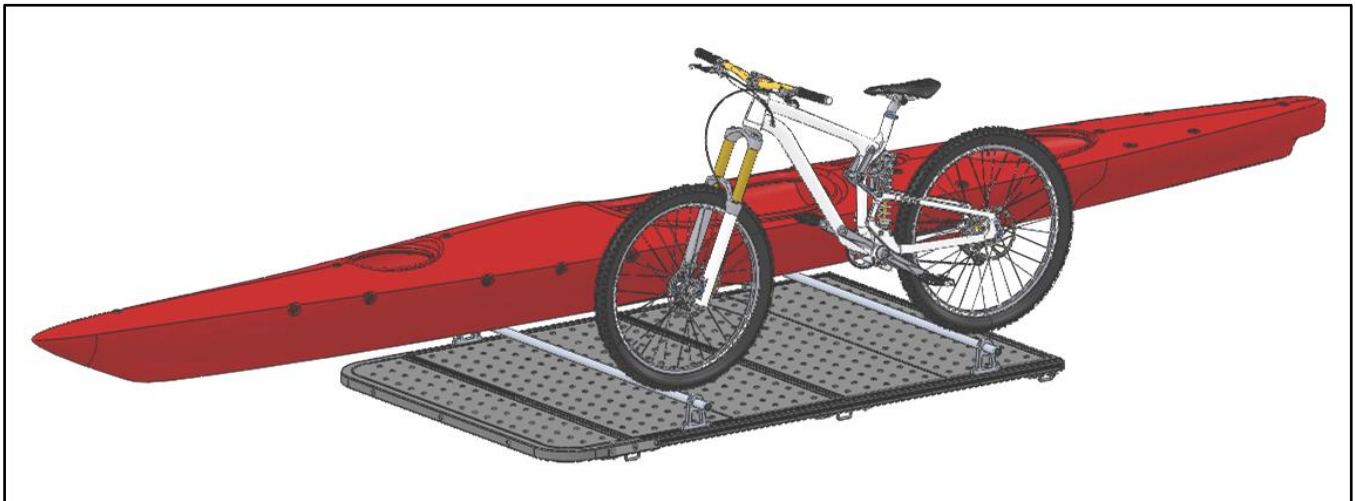
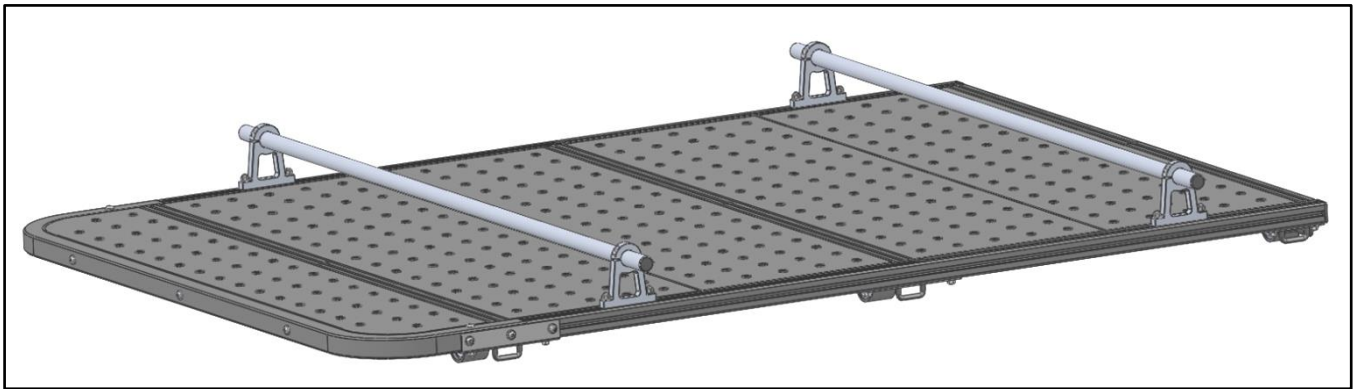
- Place Load bar (60335) or your choice of 1 1/8" bar on top of tombstone base.
- Place Tombstone top (60223-00-002) on top of bar, bolt down using Cap screw.





## Step 5

- Get creative with your Tombstone mounts and load bars, buy multiple to fit your needs.
- Go back and be sure all nuts and bolts are tight.



Square and align your surround on the EXP.  
**TIGHTEN** all bolts

Your installation is now complete