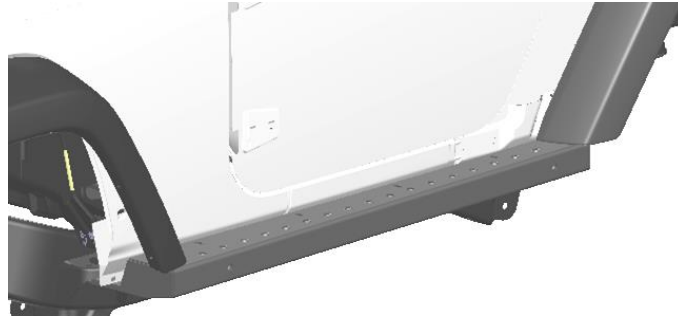




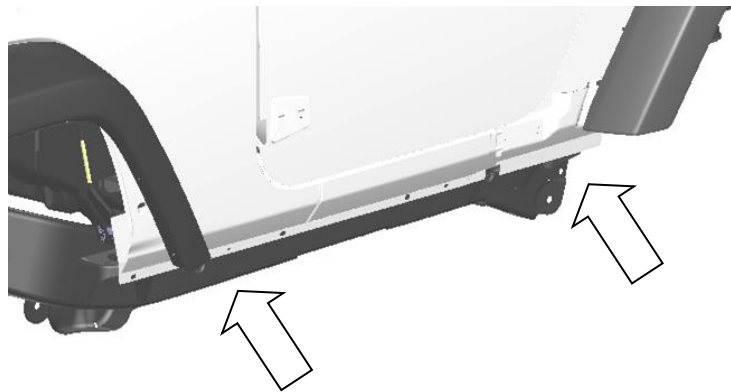
## 56010 Installation Instructions

**\*\*Driver side shown, repeat on passenger side**



### Step 1

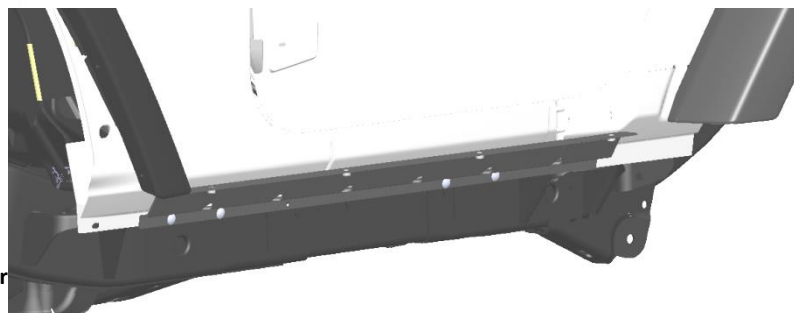
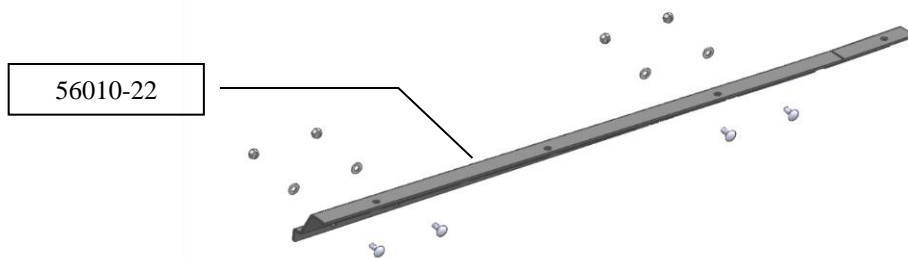
- Remove factory rocker guard from JEEP.
- Remove both body mount bolts.



### Step 2

- Bolt inner support (56010-22) to the flange where the factory rocker was removed. Bolt through the square holes in the inner support using four 5/16" carriage bolts, four 5/16" washers and four 5/16" NYLOC nuts.

**\*TIGHTEN BOLTS**

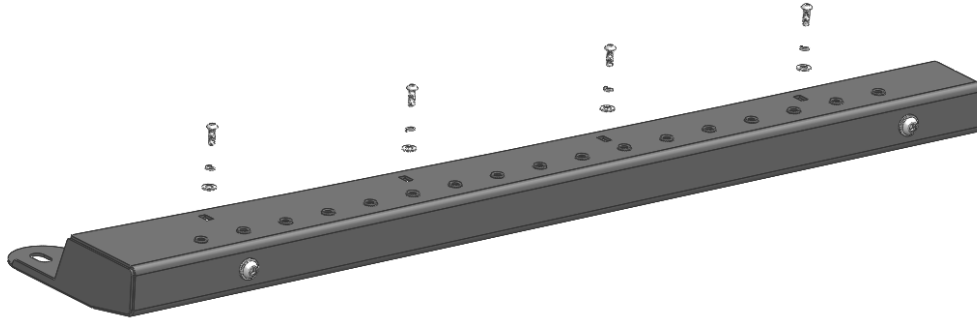


For

(PST)

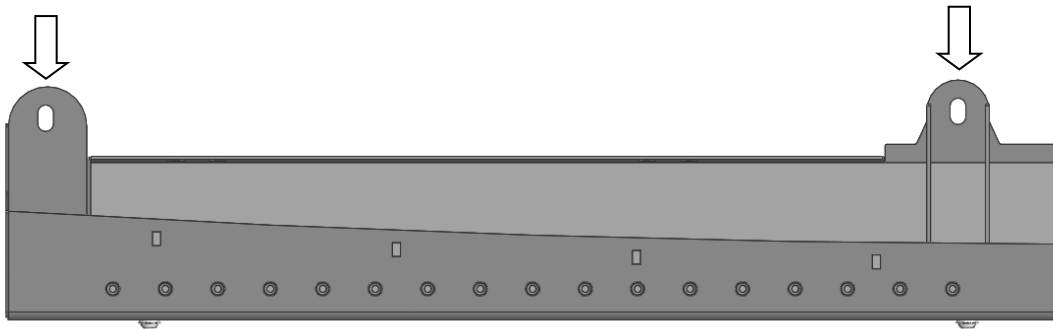
### Step 3

- Place large step cover (56010-21) on top of previously installed inner support.
  - Bolt through the slots in the step cover into inner support using four 5/16" button heads, four 5/16" lock washers and four 5/16" flat washers.
- \*\*DO NOT TIGHTEN\*\***



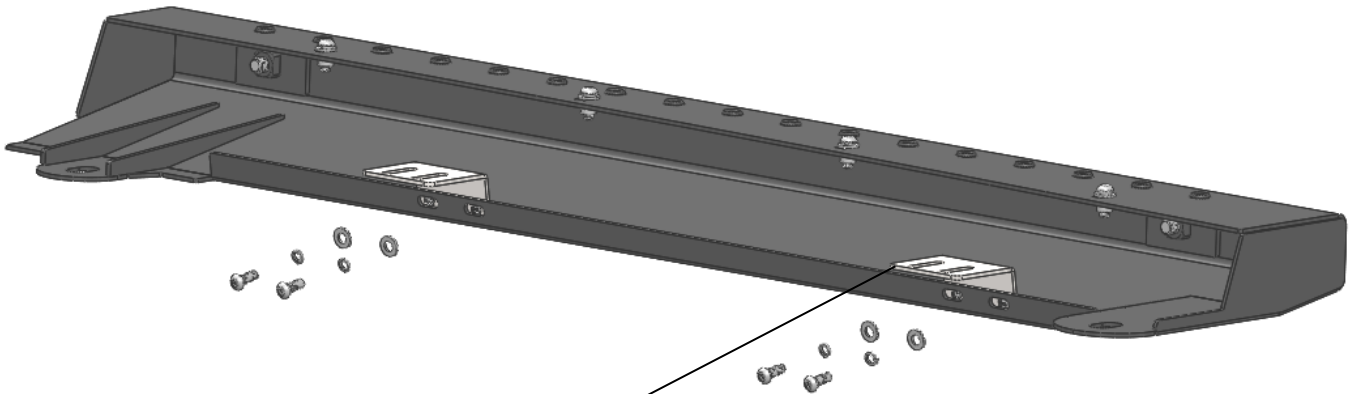
### Step 4

- Under the JEEP, reinstall the 2 body mount removed in step 1. Bolt through the slot in the step cover.
- \*\*DO NOT TIGHTEN\*\***



### Step 5

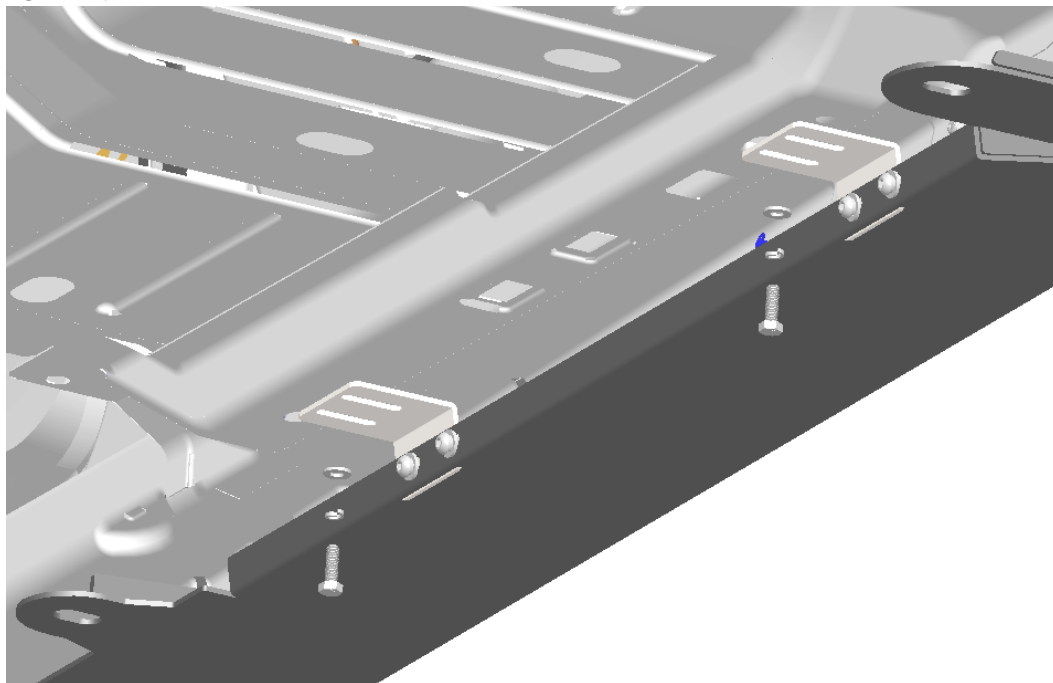
- Back under the JEEP, bolt support brackets (56000-13) to the step cover using four 5/16" button heads, four 5/16" lock washers and four 5/16" flat washers.
- \*\*DO NOT TIGHTEN\*\***



56000-13

### Step 6

- Bolt through previously installed support bracket into the weldnut underneath of JEEP using two M8 bolts, two lock washers and two flat washers.  
\*\*DO NOT TIGHTEN\*\*

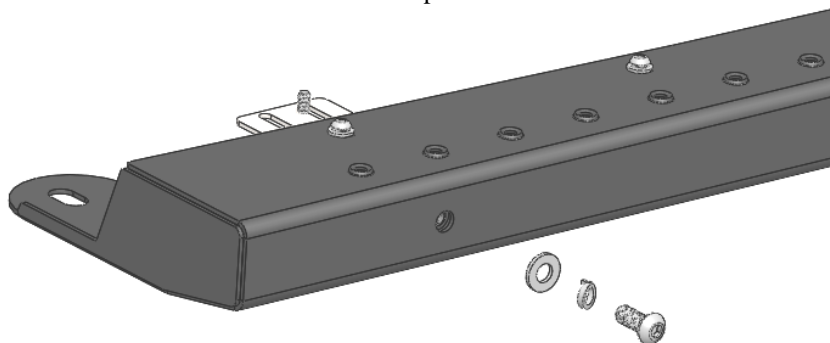


### Step 7

- From the outside of the JEEP, align the gap between the step and the body of the JEEP to your liking.
- Tighten button head bolts from step 3 starting with the far most outside and working towards the middle.
- Once the top bolts are tight, tighten body mount bolts underneath of the JEEP.
- Finally, tighten support bracket bolts from step 5 and 6 to both JEEP and the step.

### Step 8

- Bolt 1/2" Button head, 1/2" lock washer and 1/2" flat washer to outside of step.
- Repeat at both ends



Repeat on Passenger side using mirrored parts.

Your installation is now complete