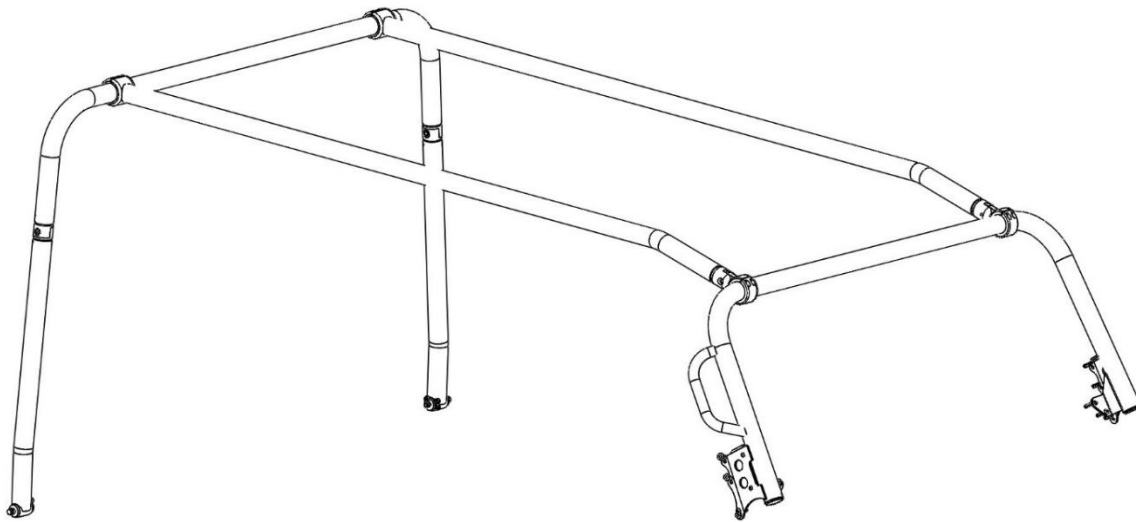




Installation Guide



55029-4dr
55028-2dr

Kargo Master Safari
Rancho Cordova, CA 95742
800-343-7486
CustomerService@Safari.com

DATE: _____

***PLEASE READ ALL INSTRUCTIONS AND WARNINGS PRIOR TO ASSEMBLING,
INSTALLING AND USING THIS PRODUCT***

Warning



Always check for wires, fuel tanks and lines, brake lines and other important vehicle functionality items prior to drilling and installing all products.

Tools Needed

• 1/4" Allen Wrench	• 1/2" Open End Wrench
• 5/16" Allen Wrench	

Table of Contents

Parts List 2

Hardware List 3

Step 1 Installation on Front Hoop 4

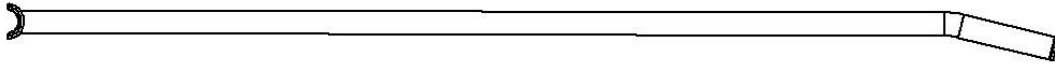
Step 2 Installation on Rear Hoop 6

Step 3 Rear Hoop Adjustment 7

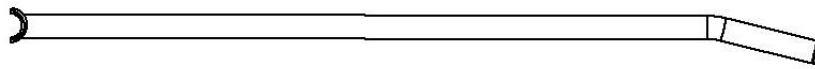
Before You Begin

- Be sure to have the Rear Hoop (55026) and the Front Hoop (55015 or 55016) installed on JEEP prior to installing these roof rails.
- “Snug Tighten” means to tighten so the parts are not all over the place, but not so tight that they can not be moved or adjusted to fit its application.

ITEM NO.	PART NUMBER	DESCRIPTION	QTY.
1A	55029-10	Soft Top Roof Rail Assembly-4dr	2

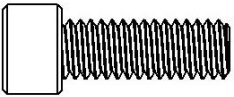
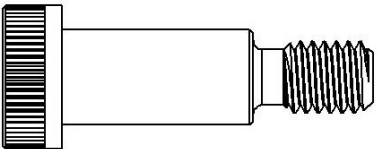
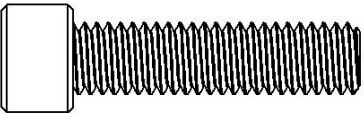
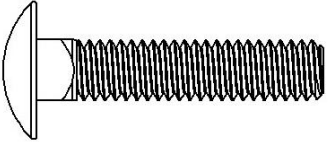


ITEM NO.	PART NUMBER	DESCRIPTION	QTY.
1B	55028-10	Soft Top Roof Rail Assembly-2dr	2



ITEM NO.	PART NUMBER	DESCRIPTION	QTY.
2	55029-00-001	Front Clamp	2
3	55029-00-002	Front Clamp - Cap	2
4	55029-00-003	Front Spud Clamp	2
5	55029-00-004	RR Saddle Spacer	2
6	55020-10-002-R1 CAP	Rear of Roof Rail Cap	2

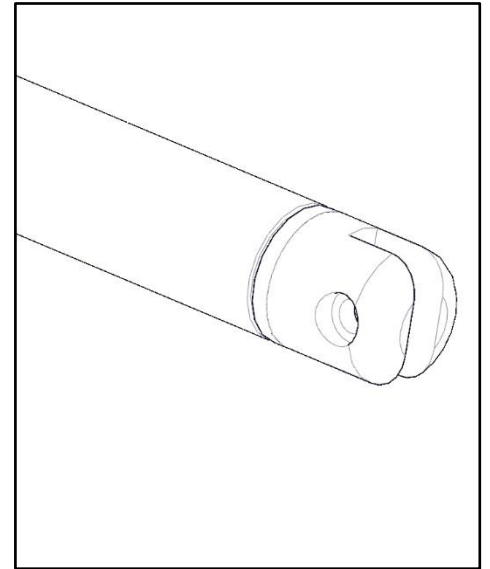
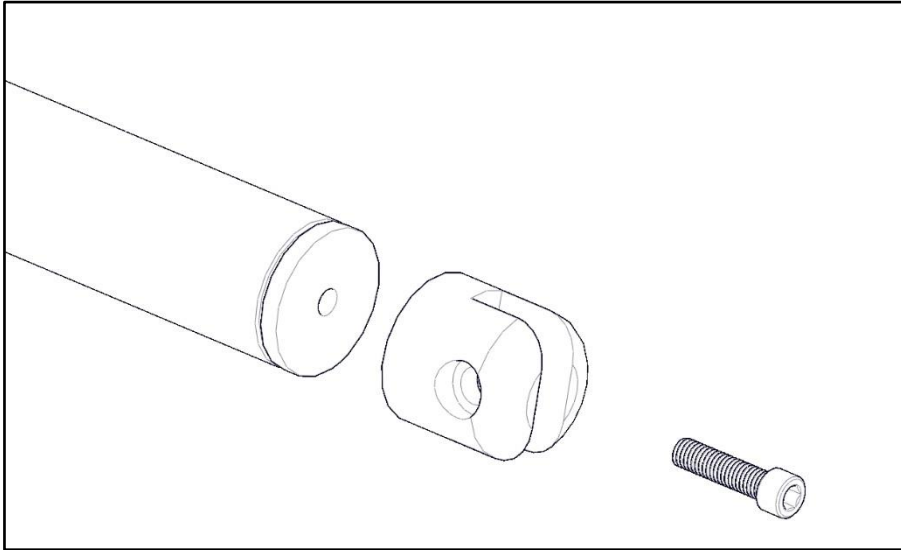
**Note: You will only have one set of roof rails (1A or 1B) Dependent on a 4 door or 2 door JEEP. All installation instructions are the same for both models, except for the length of the roof rails.

ITEM NO.	SCALE	DESCRIPTION	QTY.
A		5/16-18 x 7/8 SHCS	20
B		1/2" x 1" Shoulder, 3/8"-16 Thread	2
C		3/8-16 x 1.00" SHCS	2
D		5/16-18 x 1.50 Carriage Bolt	4

Step 1 – Front Hoop Installation

A.

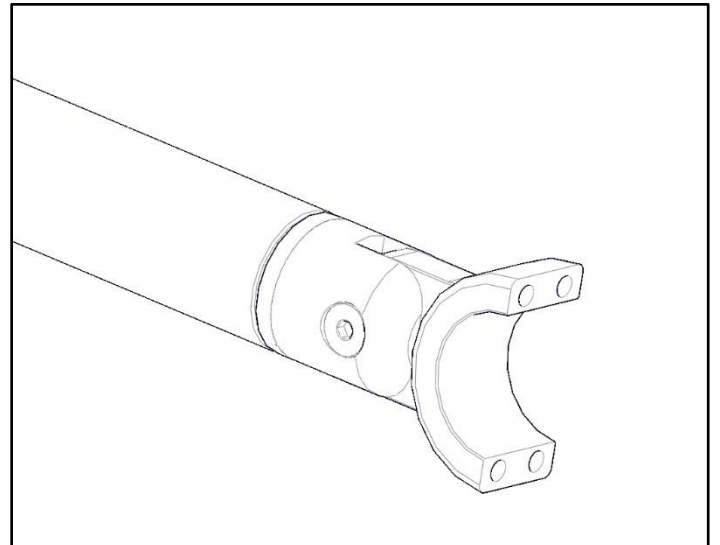
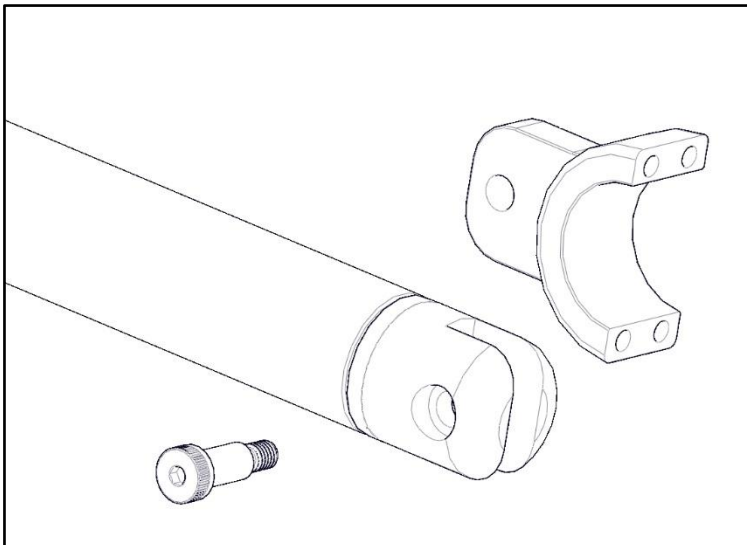
- Locate the front of the roof rail (1). This is the end with the welded plate with a 3/8-16 hole tapped in the center.
- Bolt front spud (3) to the roof rail (1) using a 3/8" 1.00" SHCS (C). Snug Tighten, Ensure the head of the bolt is below the countersink in the spud.



- Make the bolt hole perpendicular to the bend in the tube.
- Repeat on other roof rail. We recommend to have the tapped part of the spud in opposite orientation on each roof rail.
- Tighten

B.

- Bolt front clamp (2) to the previously installed spud(3) using the shoulder bolt (B)

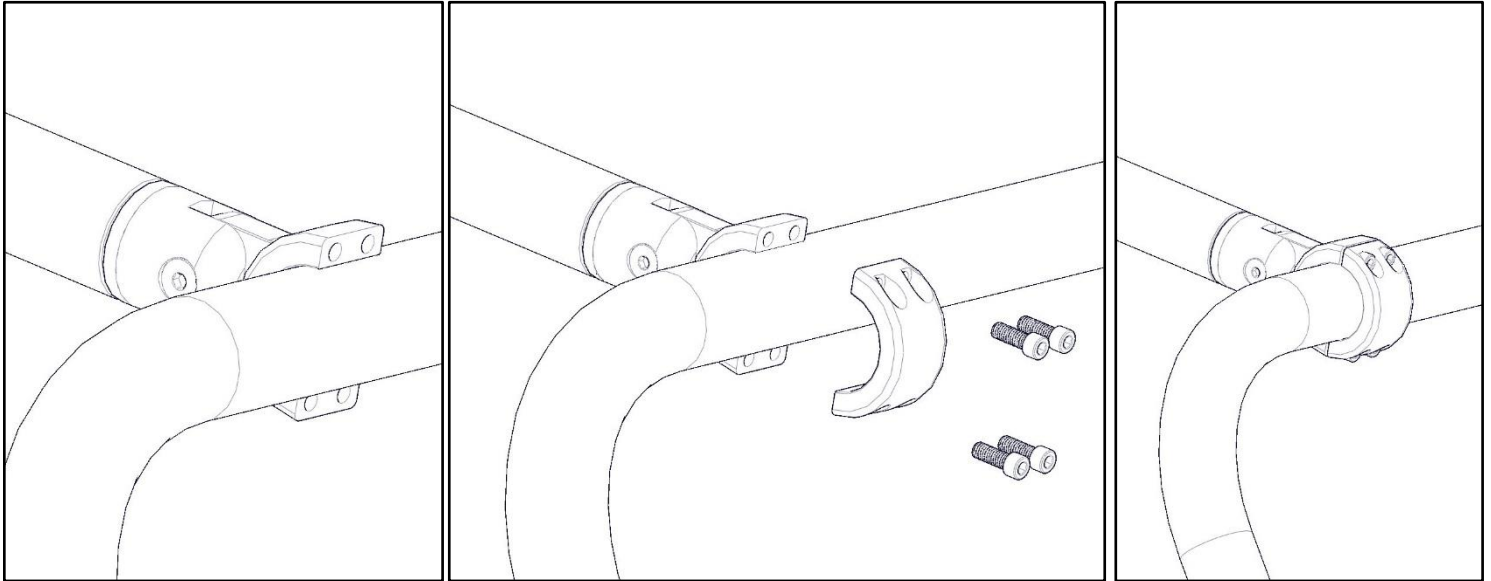


C.

- Place assembled roof rails onto the roof of the JEEP.
- We suggest having the hex of the shoulder bolt towards the outside of the JEEP.

D.

- Bolt front clamp (2) to Front hoop (55015) using clamp cap(3) and four 5/16" SHCS (A).
- Snug Tighten to allow movement.

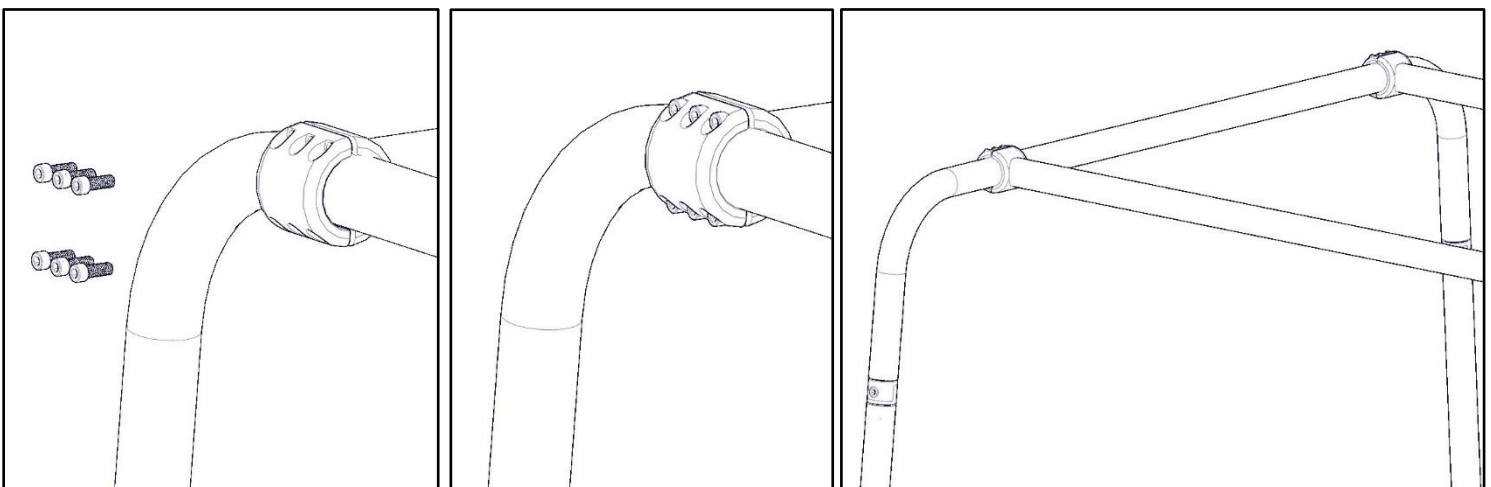


If an issue rises with getting the front clamp to fit nicely around the front hoop, you may need to loosen bolt from Step 1A, align and re tighten

Step 2 – Rear Hoop Attachment

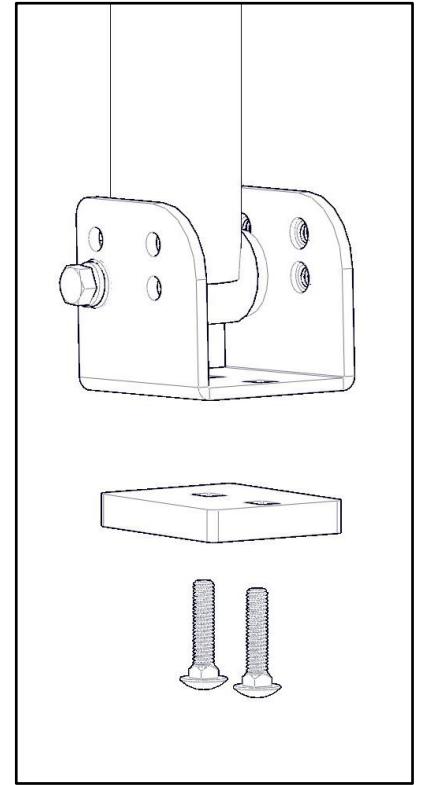
- At the other end of the roof rail, place the welded-on clamp around the rear hoop. Bolt Roof Rail clamp (6) to roof rail using six 5/16" x 7/8" SHCS.
- Snug Tighten to allow movement.

Repeat on other side.



Step 3 – Rear Height Adjustment

- If Roof rails are hitting or are too close for comfort to the factory soft top, use spacers provided to raise the rear hoop. You will need to replace the carriage bolts from the 55026 kit with the ones provided in this kit.
- Also, you can adjust the location of the rear hoop within the saddle as explained in the 55026 instructions.



Step 4

- Go back and tighten all bolts from previous steps.
- Your installation is now complete.

