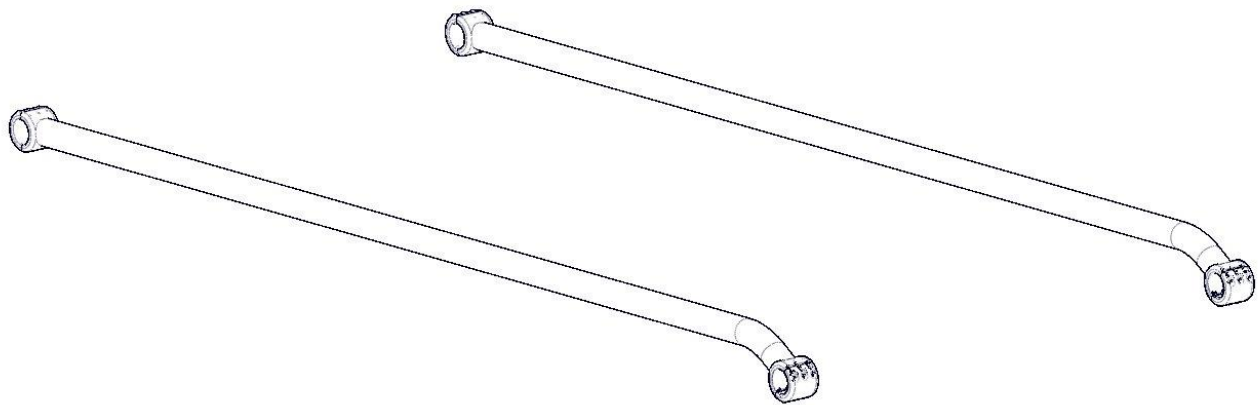




Installation Guide

55020



Kargo Master
Rancho Cordova, CA 95742
800-343-7486
CustomerService@Safari.com

DATE: _____

***PLEASE READ ALL INSTRUCTIONS AND WARNINGS PRIOR TO ASSEMBLING,
INSTALLING, AND USING THIS PRODUCT***

Warning



Always check for wires, fuel tanks and lines, brake lines and other important vehicle functionality items prior to drilling and installing all products.

Tools Needed

1/4" Allen Hex	Tape Measure
----------------	--------------

Table of Contents

Parts List 2

Assembly Hardware 2

 Step 1 – Front Hoop Connect 3

 Step 2 – Roof Rail Width 3

 Step 3 – Repeat on Rear Hoop 4


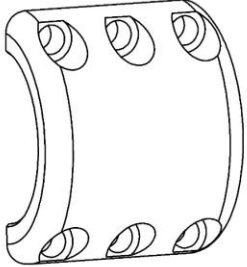
 Step 4 – Complete 4

 Step 5 – Tighten 4


Before You Begin

- Read all instructions.
- Be sure to have a JK or JKU JEEP.
- Have a KargoMaster front hoop (55015 or 55016) purchased and installed on vehicle.
- Have KargoMaster rear hoop (55026) installed or ready to be installed on vehicle.
- DO NOT TIGHTEN ANY BOLTS UNTILL ALL BOLTS ARE INSTALLED.

Parts

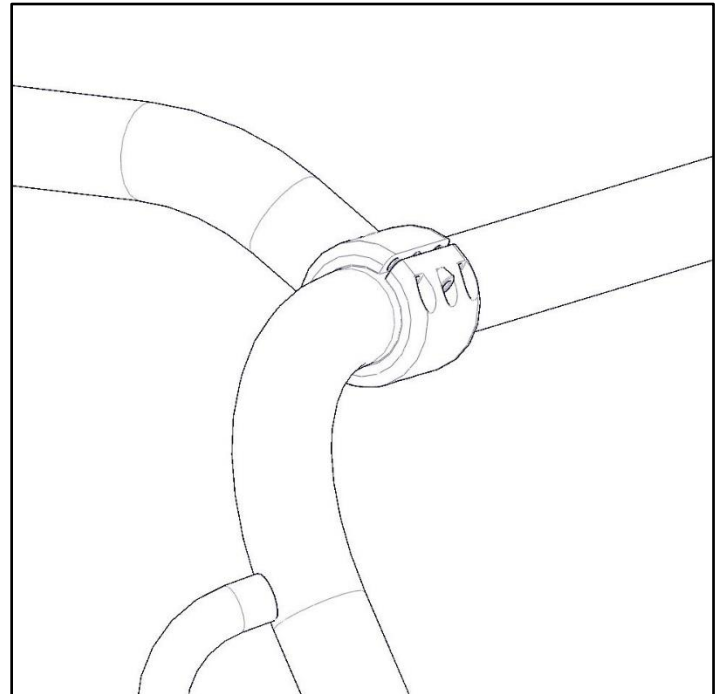
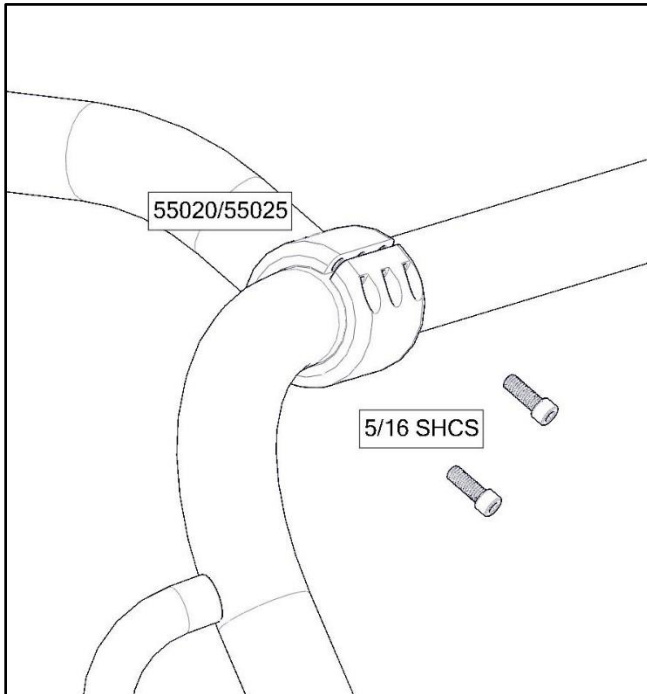
ITEM NO.		PART NUMBER	DESCRIPTION	QTY.
A		55020-10-R1	Congo Pro Roof Rails, 4dr, JK	2
B		55020-10-002-R1 Cap	Clamp Cap	4

Hardware

ITEM NO.	TO SCALE	PART NUMBER	DESCRIPTION	QTY.
1		90128A582	5/16"-18 x 7/8" Socket Head Cap	24

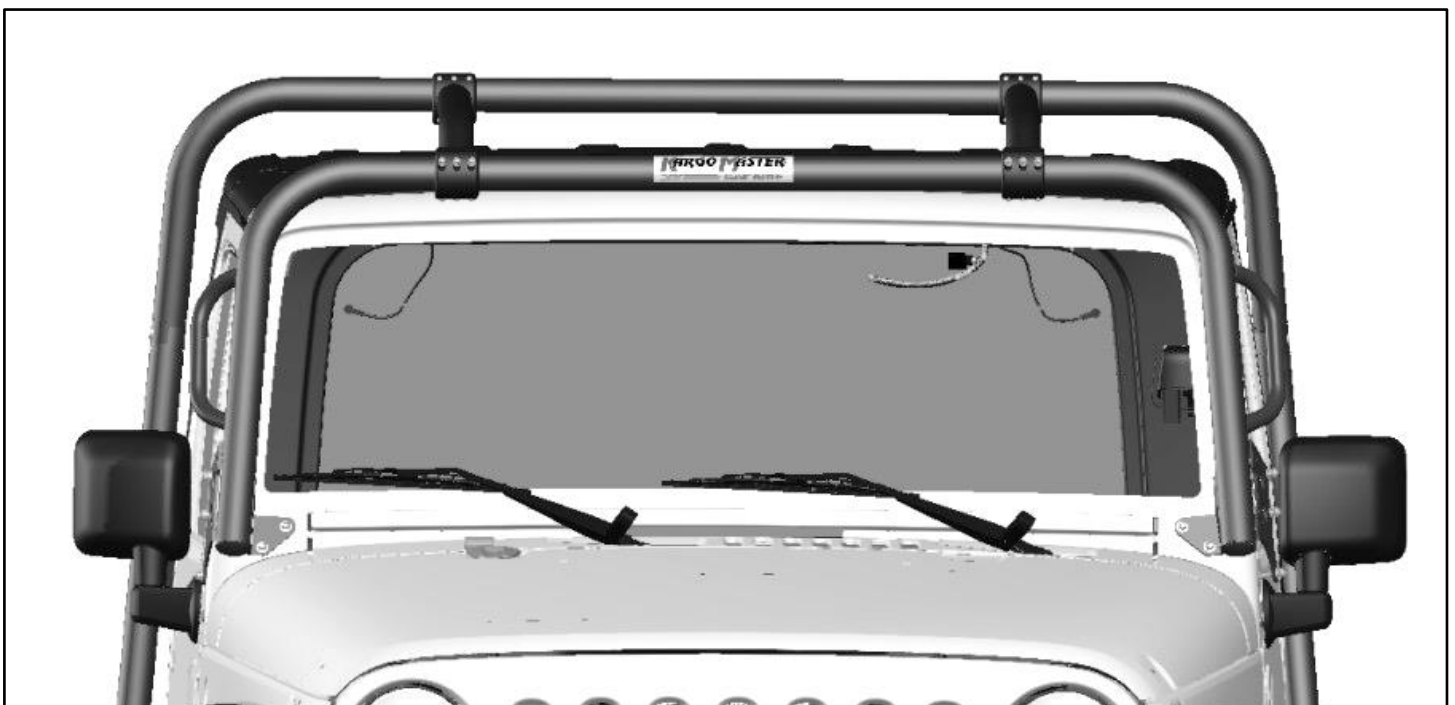
Step 1 – Front Hoop Connect

- Place formed end of roof rail towards the front of the roof near the front hoop.
- Install caps using only two allen bolts in the center holes.
- We recommend NOT using a driver at this point, bolt using an allen wrench.
- Repeat for a total of 2x.
- Snug Tighten, But Allow Movement.



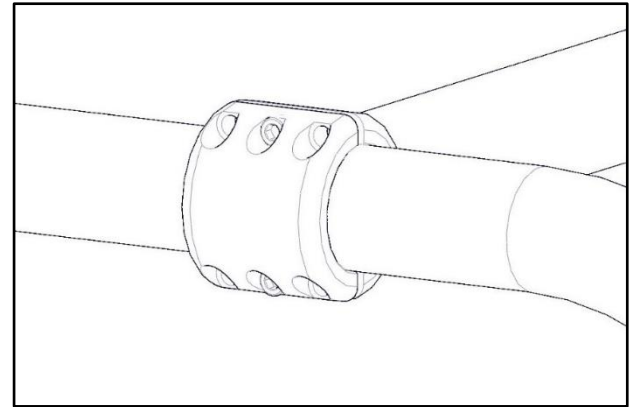
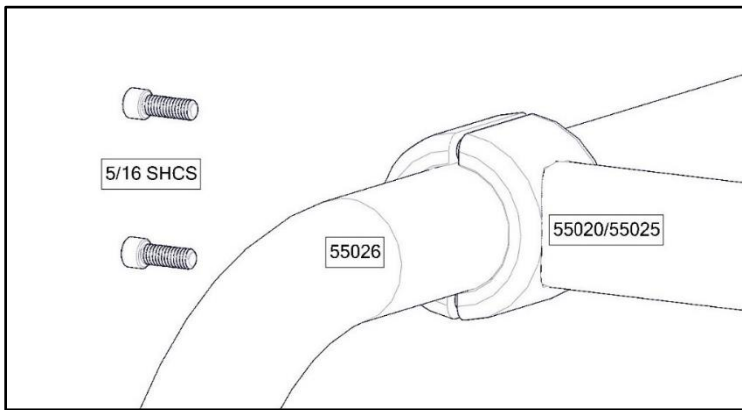
Step 2 – Roof Rail Width

- Position roof rails to your liking, or 40.8” apart if installing a KargoMaster Platform.
- If installed the Stealth platform (55060), one roof rail must stay not fastened.



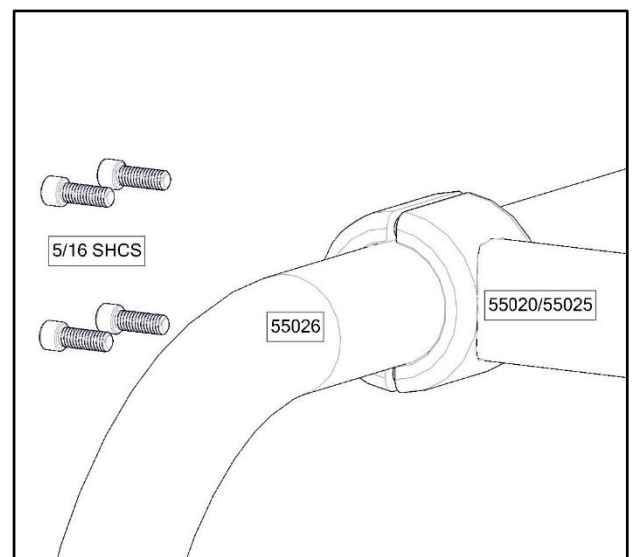
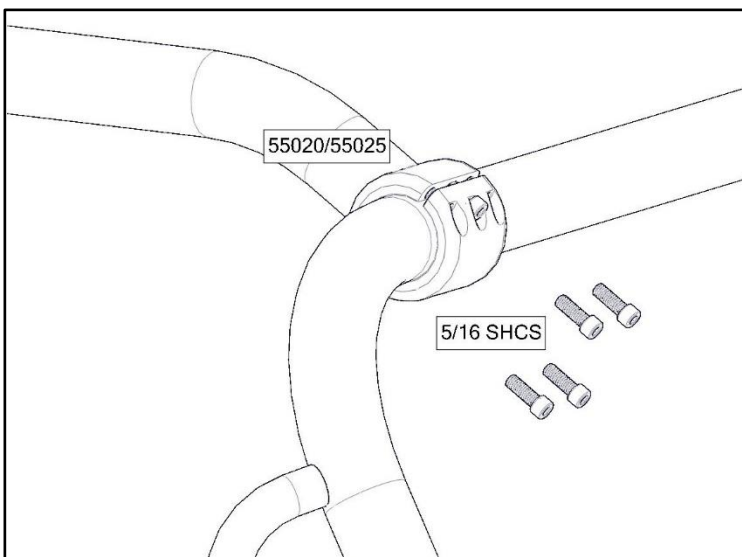
Step 3 – Repeat on Rear Hoop

- Repeat at the rear of the vehicle. Bolt cap around the rear hoop as was done in step 1.
- Only bolt in the center two holes.
- Snug Tighten, But Allow Movement.



Step 4 – Complete

- Once roof rails are in the desired location, finish installing the rest of the bolts.



Step 5 – Tighten

Ensure all bolts are tight. Your Installation is now complete.



2DR Shown