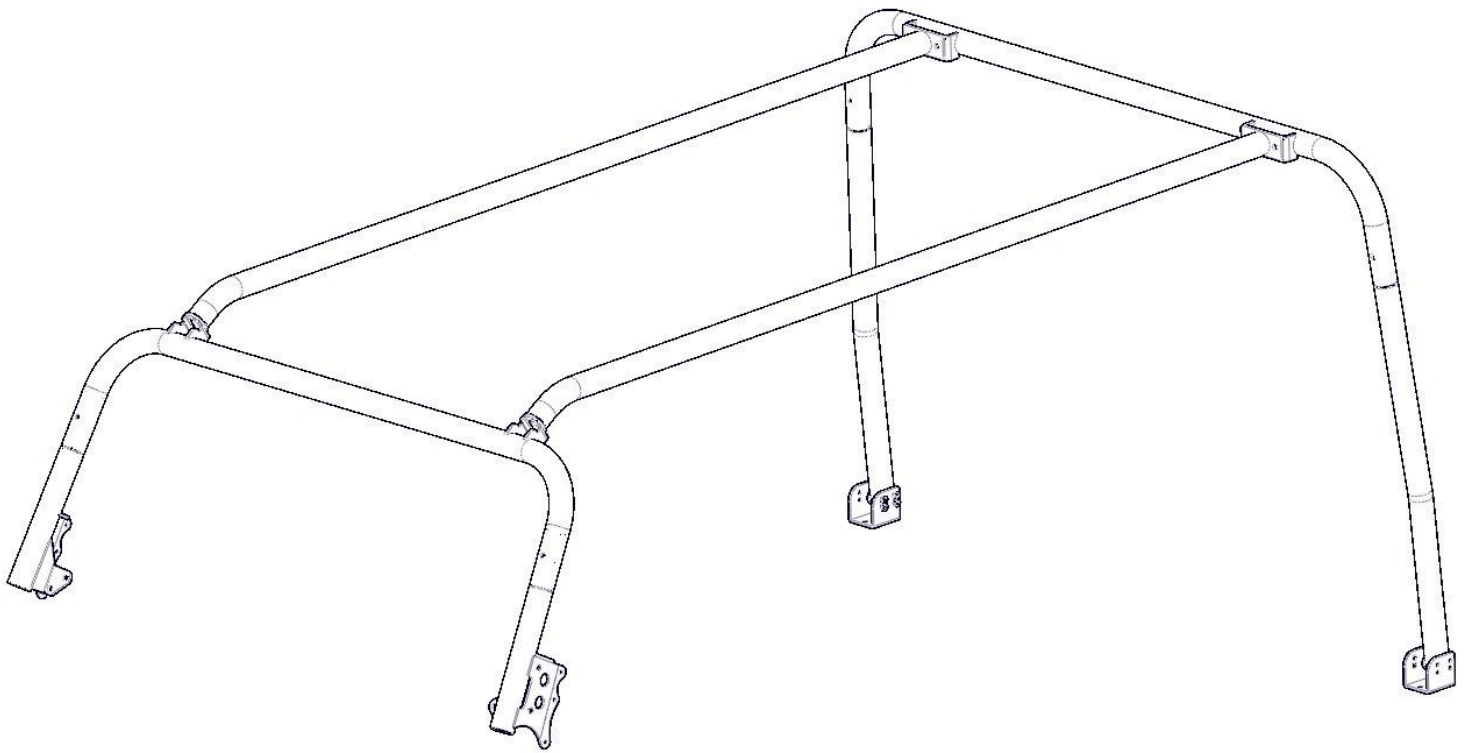




---

# Installation Guide

---



50332

---

Kargo Master Safari  
Rancho Cordova, CA 95742  
800-343-7486  
CustomerService@Safari.com

---

---

**\*PLEASE READ ALL INSTRUCTIONS AND WARNINGS PRIOR TO ASSEMBLING,  
INSTALLING AND USING THIS PRODUCT\***

---

## Warning



Always check for wires, fuel tanks and lines, brake lines and other important vehicle functionality items prior to drilling and installing all products.

---

## Tools Needed

3/4" Open end wrench
----------------------

---

## Table of Contents

Parts List .....	2
Hardware List .....	2
Step 1 Front Hoop to Roof Rail .....	3
Step 2 Rear Hoop to Roof Rail .....	4

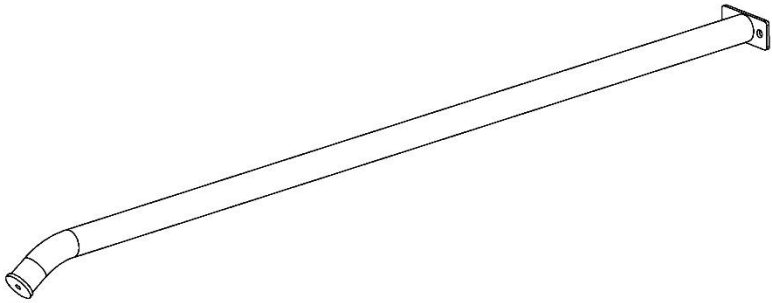
---

## Before You Begin

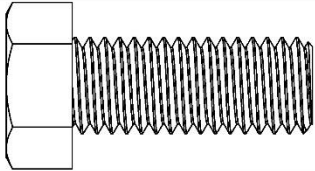
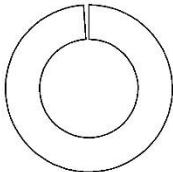
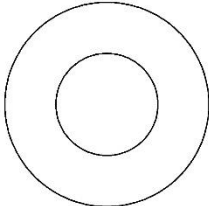
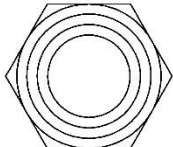
- Be sure to have Congo Sport front and rear hoops installed on vehicle.

\*4DR is shown through instructions. 2DR instructions are the same\*

## Parts

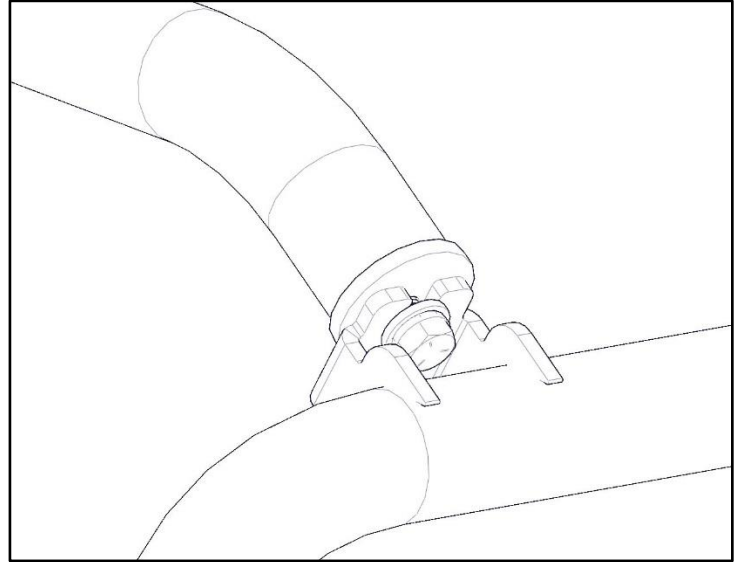
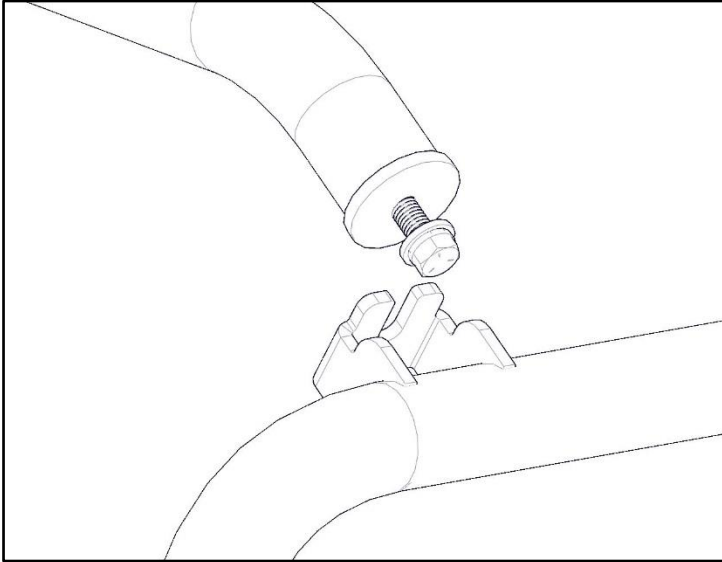
ITEM NO.		PART NUMBER	DESCRIPTION	QTY.
A		50332-10	2dr Roof Rail Assembly	2
		18-50354	Congo Sport Roof Rail Hardware	1

## Hardware

ITEM NO.	TO SCALE	DESCRIPTION	PART NUMBER	QTY.
1		.50-13 x 1.25 HH	92865A714	6
2		.50 Split Lock Washer	91102A770	2
3		.50 Flat Washer	90126A033	10
4		.50-13 Jam Nyloc	94945A224	4

## Step 1 – Front Hoop to Roof Rail

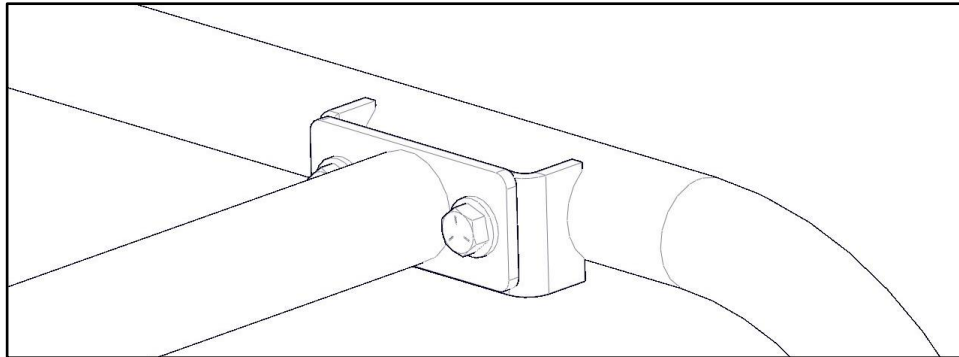
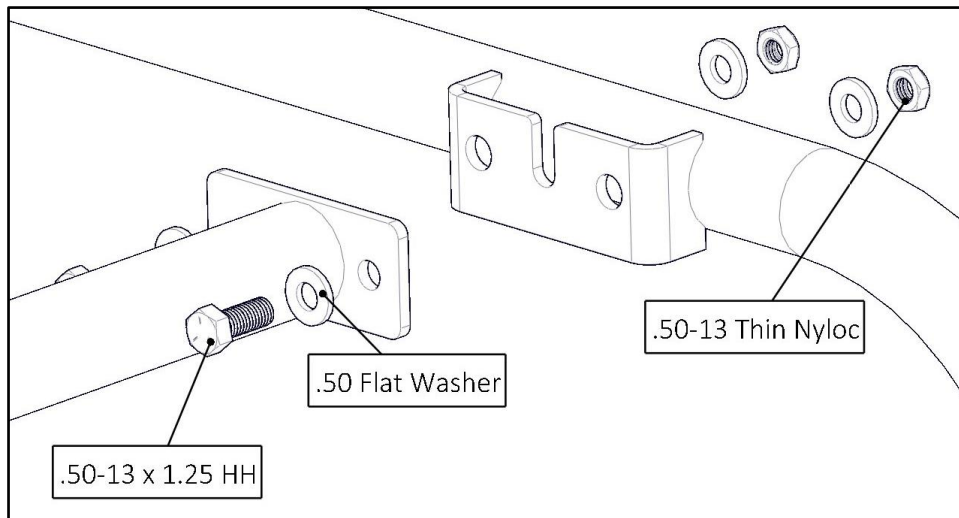
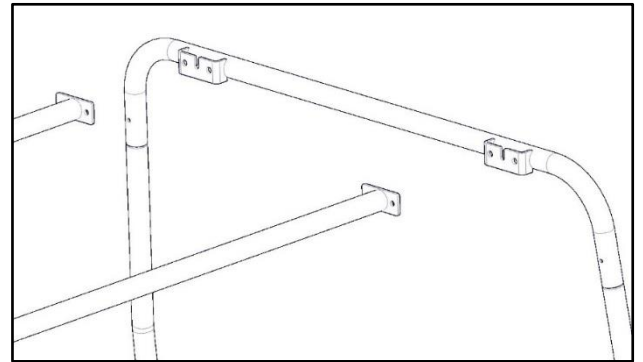
- Bolt .50 x 1.25 hex bolt (1) to roof rails. Use 1/2 lock washer (2) and 1/2 flat washer (3).
- Place roof rails (A) onto roof. Slide down onto previously installed front hoop. Be sure to have the flat washer to inside of the front hoop welded bracket.
- Rest rear of roof rail nicely onto top of JEEP.



- Repeat for both brackets on front hoop assembly.

## Step 2 – Rear Hoop to Roof Rail

- Attach rear hoop to roof rails using two 1/2 x 1.25 HH (1), four 1/2 flat washers (3) and two 1/2-13 nyloc nuts(4) on each roof rail.
- Snug Tighten, but allow movement.



Go back and tighten  
all bolts from  
previous steps

\*4DR is shown for reference, 2DR is  
the same\*

