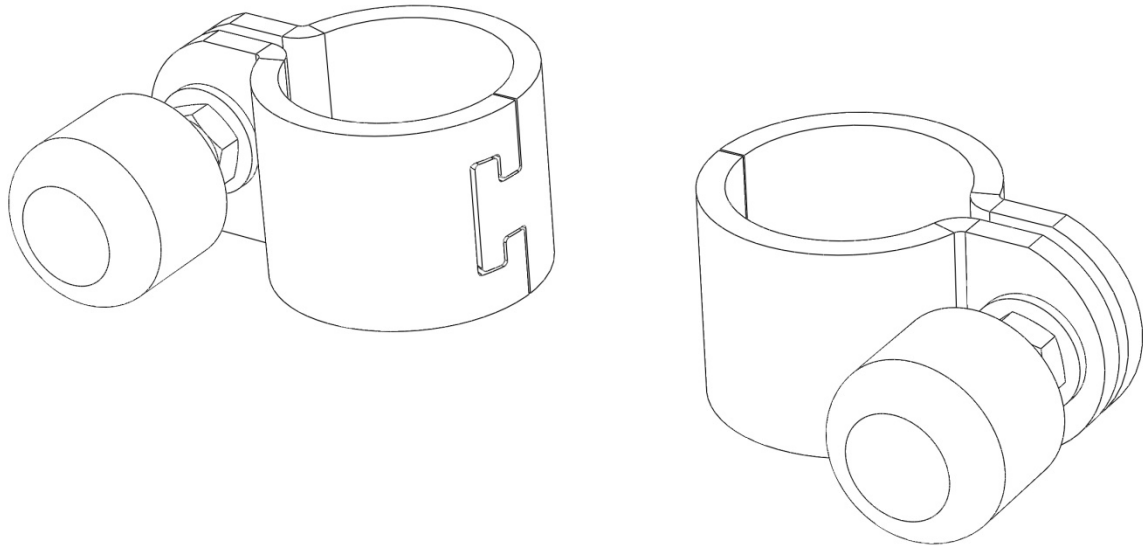




Installation Guide



50300

Kargo Master Safari
Rancho Cordova, CA 95742
800-343-7486
CustomerService@Safari.com

***PLEASE READ ALL INSTRUCTIONS AND WARNINGS PRIOR TO ASSEMBLING,
INSTALLING AND USING THIS PRODUCT***

Warning



Always check for wires, fuel tanks and lines, brake lines and other important vehicle functionality items prior to drilling and installing all products.

Tools Needed

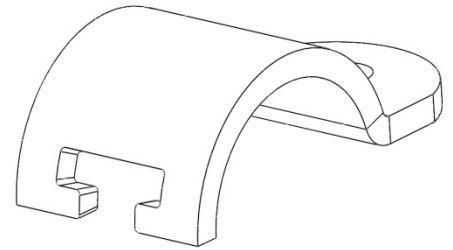
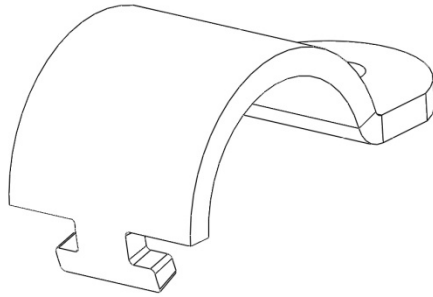
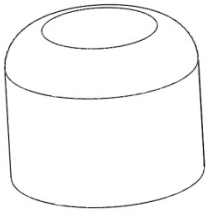
- 9/16 Wrench and Socket
-

Table of Contents

Parts List	3
Hardware List	4
Step 1 Orientation of Stabilizer	5
Step 2 Determine length of bolt	5
Step 3 Place against JEEP	6
Step 4 Repeat on opposite side	6



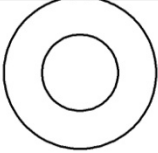
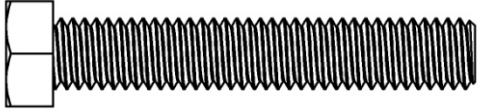
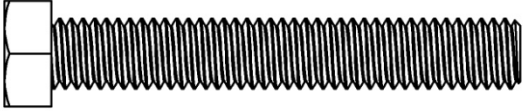
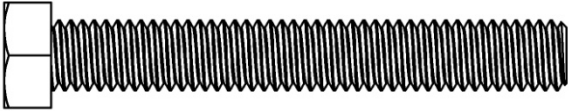
Before You Begin

Be sure to have Congo Classic installed on vehicle.



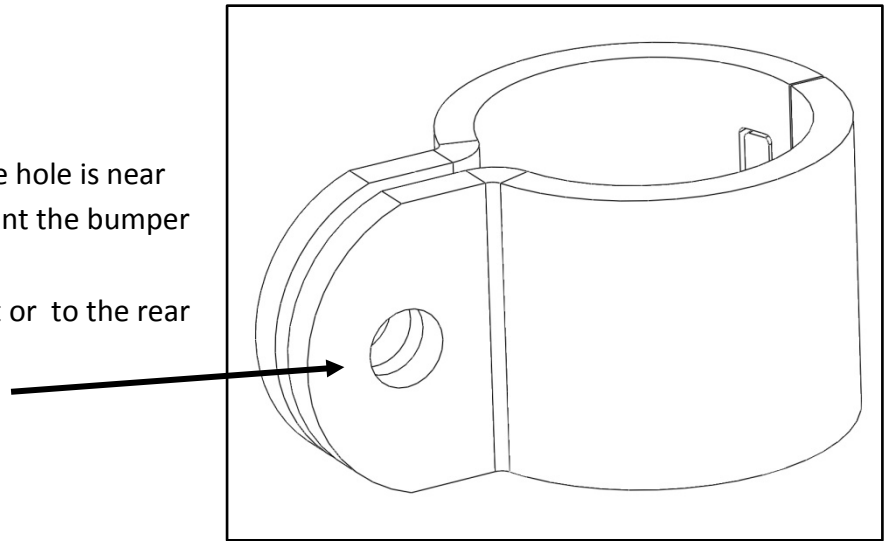
<p>2x Rubber Bumper</p>	<p>2x 50300-10-002 Male Side Clamp</p>	<p>2x 50300-10-001 Female Side Clamp</p>
---	---	---

HARDWARE (to scale)

	PART NUMBER	DESCRIPTION	QTY.
	94846A031	3/8"-16 Thin Hex Nut	2
	90566A031	3/8"-16 Thin Nyloc Nut	2
	90126A031	3/8" Flat Washer- SAE	4
	92865A633	3/8"-16 x 2.25" Hex Head	1
	92865A634	3/8"-16 x 2.50" Hex Head	1
	92865A635	3/8-16 X 2.75 Hex Head	1

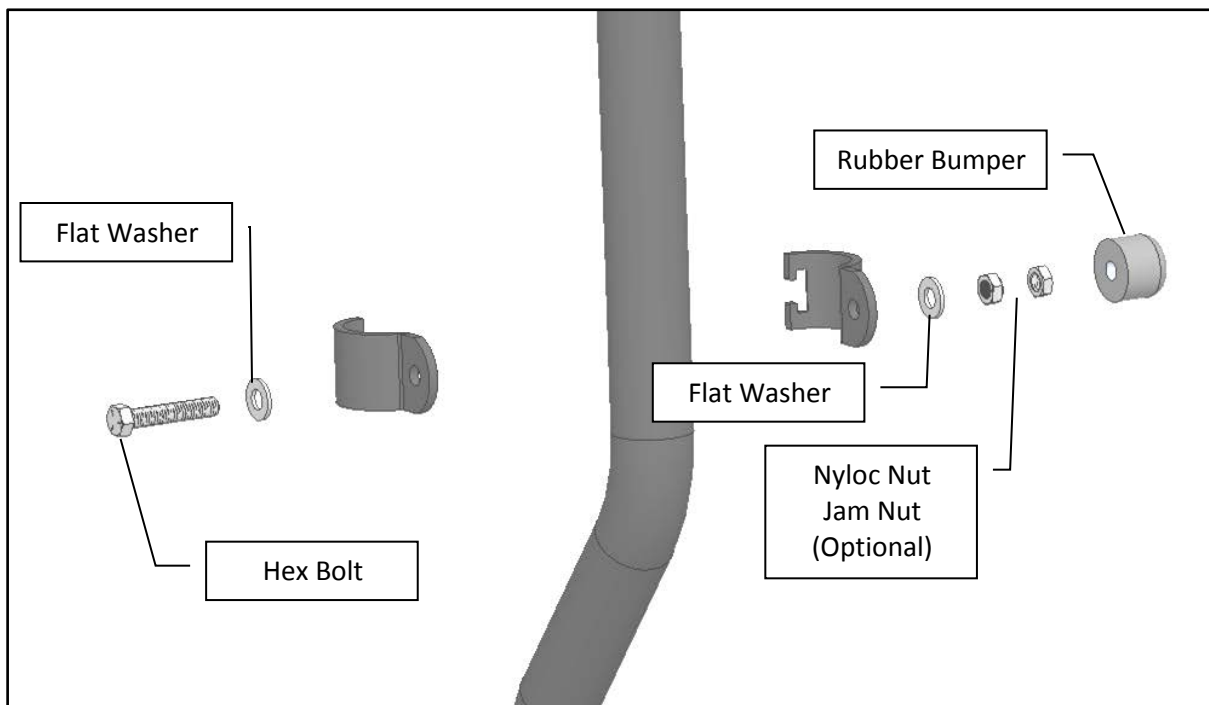
Step 1

- Orientate stabilizer clamp so the flange hole is near the location on the JEEP where you want the bumper to rest against.
- Stabilizer can be oriented both in front or to the rear of the leg on the Congo Cage



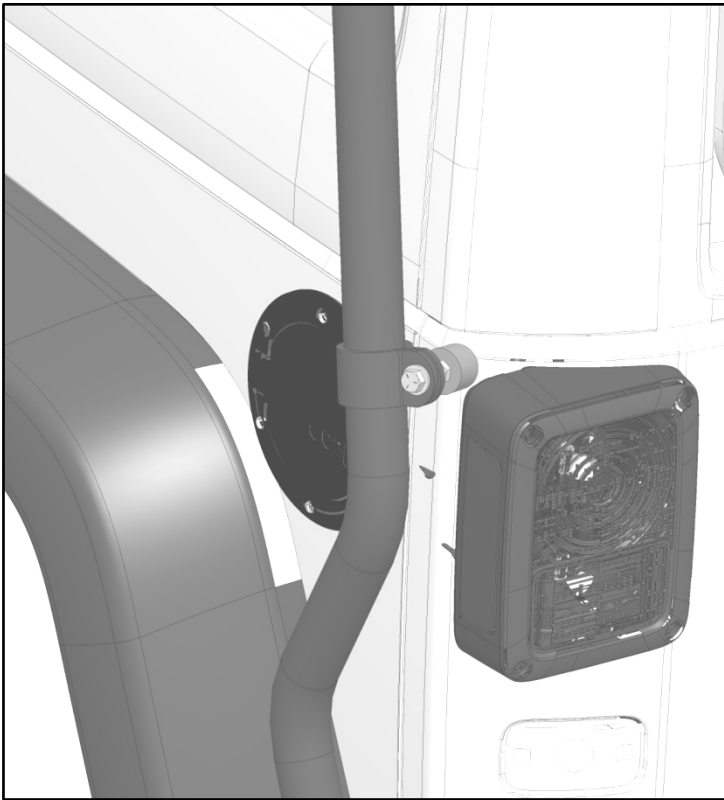
Step 2

- Determine what length bolt will be needed in order to bolt through clamp, into bumper and apply pressure on side of the JEEP.
- Bolt through the hole in the stabilizer clamp in the order shown.
- Tighten jam nut tight against bumper.
- Snug tighten Nyloc nut, but allow movement.
- The Nyloc and Jam nut are preferred, but not necessary. Some situations will not have room for these items.

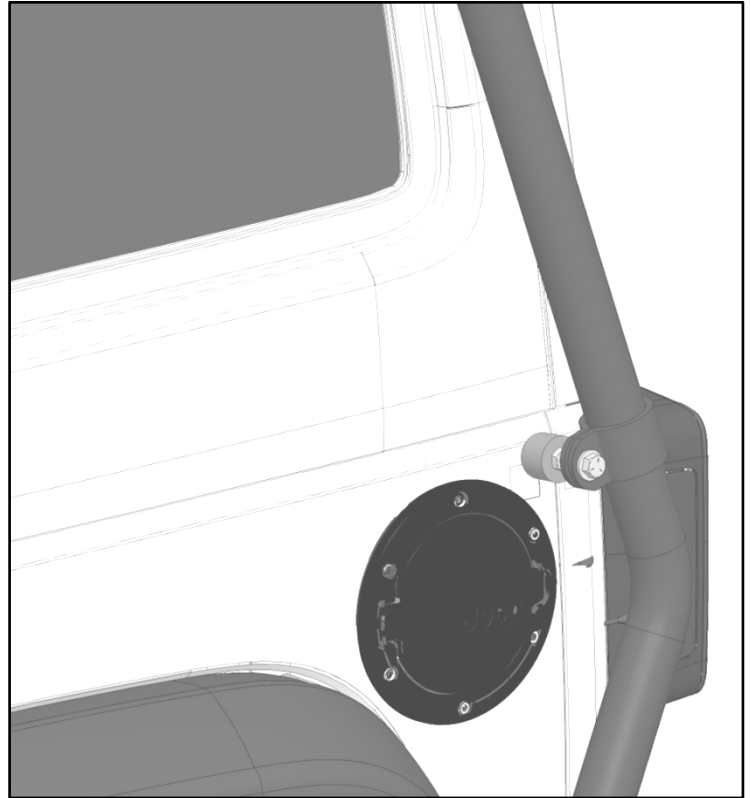


Step 3

- Rotate stabilizer assembly towards JEEP so it touches. Tighten bolt 1.5 turns to snug against side of JEEP.



Bumper to rear of leg



Bumper to front of leg

Step 4

- Repeat on Passenger side. Some adjustment may be needed. Check Weekly to ensure tight fit.

Your installation is now complete