



**WE PUT EVERYTHING WITHIN REACH.**

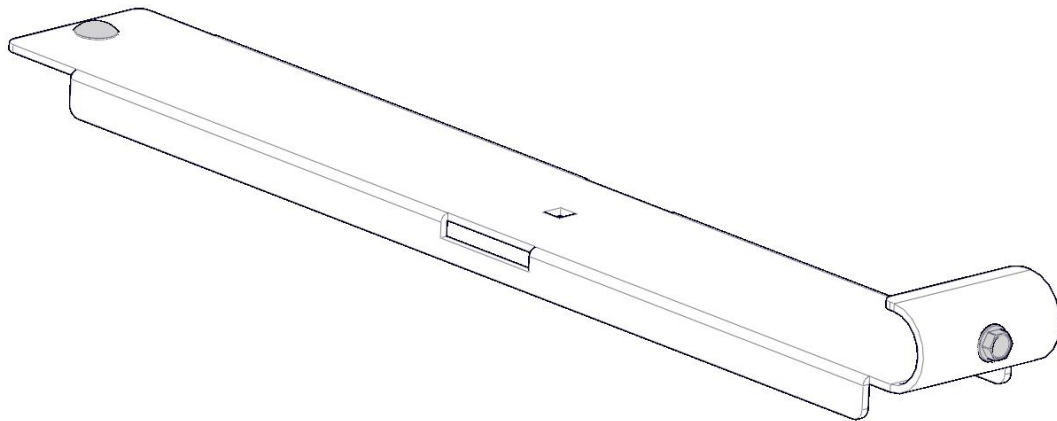
---

# Installation Guide

---

## 4A815

---



---

Kargo Master  
Rancho Cordova, CA 95742  
800-343-7486  
CustomerService@KargoMaster.com

---

DATE: \_\_\_\_\_

---

**\*PLEASE READ ALL INSTRUCTIONS AND WARNINGS PRIOR TO ASSEMBLING,  
INSTALLING, AND USING THIS PRODUCT\***

---

**Warning**



Always check for wires, fuel tanks and lines, brake lines and other important vehicle functionality items prior to drilling and installing all products.

---

**Tools Needed**

1/2" Wrench and Socket	7/16" Driver/Wrench
No. 3 Drill (.210")	5/16" Drill (.340")

---

**Table of Contents**

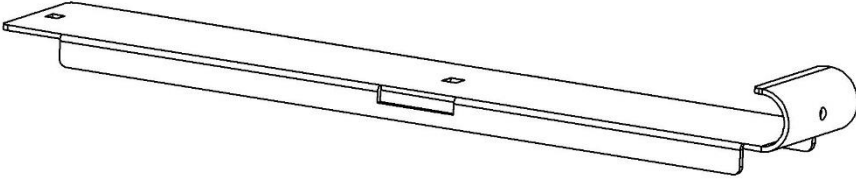
Parts List ..... 2  
Hardware List ..... 2  
Step 1 Determine Location ..... 3  
Step 2 Drill Locations ..... 3  
Step 3 Install EXT bracket ..... 4  
Step 4 Re-Locate Ladder Stop..... 5

---

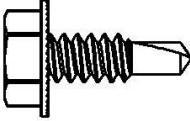
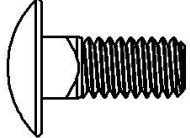
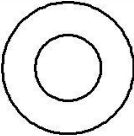

**Before You Begin**

- Read all instructions.
  - Have Clamp N' Lock ladder assembled.
-

Parts

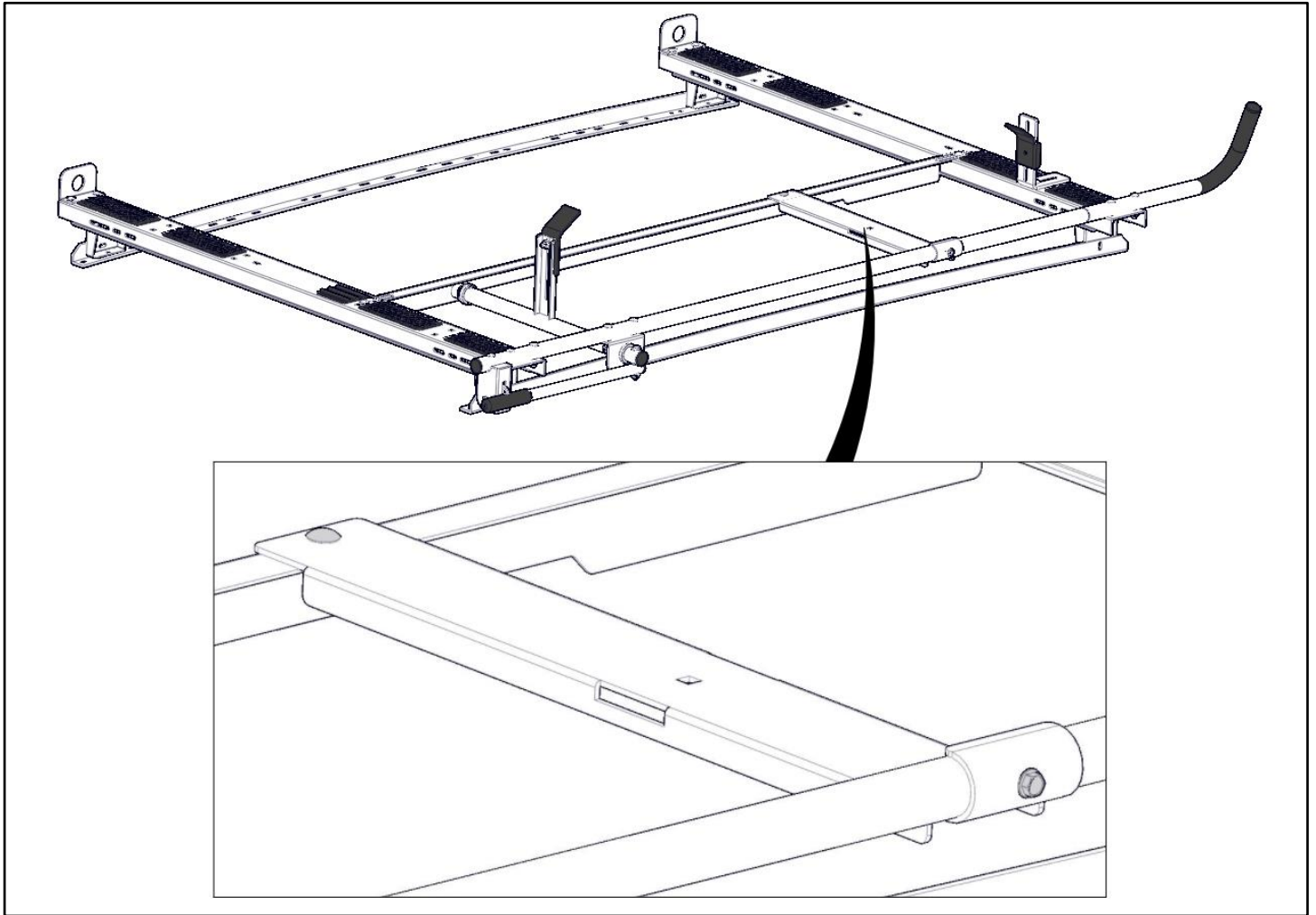
ITEM NO.		PART NUMBER	DESCRIPTION	QTY.
A		4A815-00-001	6ft Ladder EXT	1
		18-4A815	HARDWARE	1

Hardware

ITEM NO.	TO SCALE	PART NUMBER	DESCRIPTION	QTY.
1		92685A600	1/4" X 3/4" DRILL TIP SCREW, WIDE HEAD	1
2		90185A581	5/16"-18 X 3/4" CARRIAGE BOLT	1
3		90126A030	5/16" FLAT WASHER	1
4		95615A160	5/16"-18 NYLOC	1

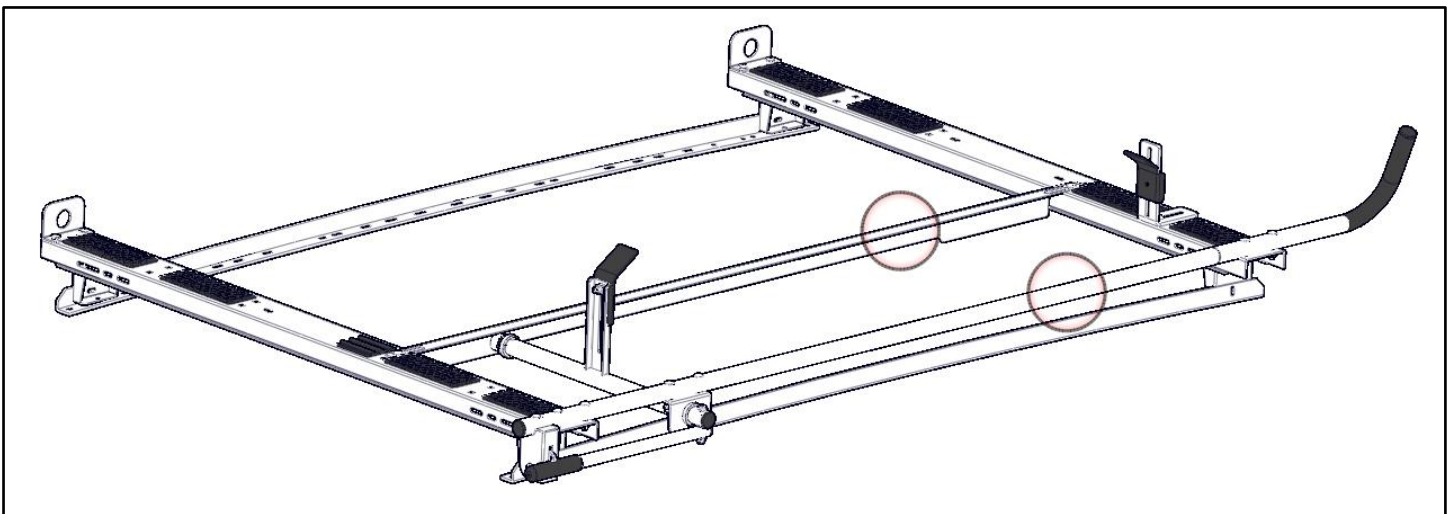
## Step 1 – Determine Location

- Determine location of ladder rack ext bracket to be installed.
- Be sure this location corresponds to the shorter ladder being installed.



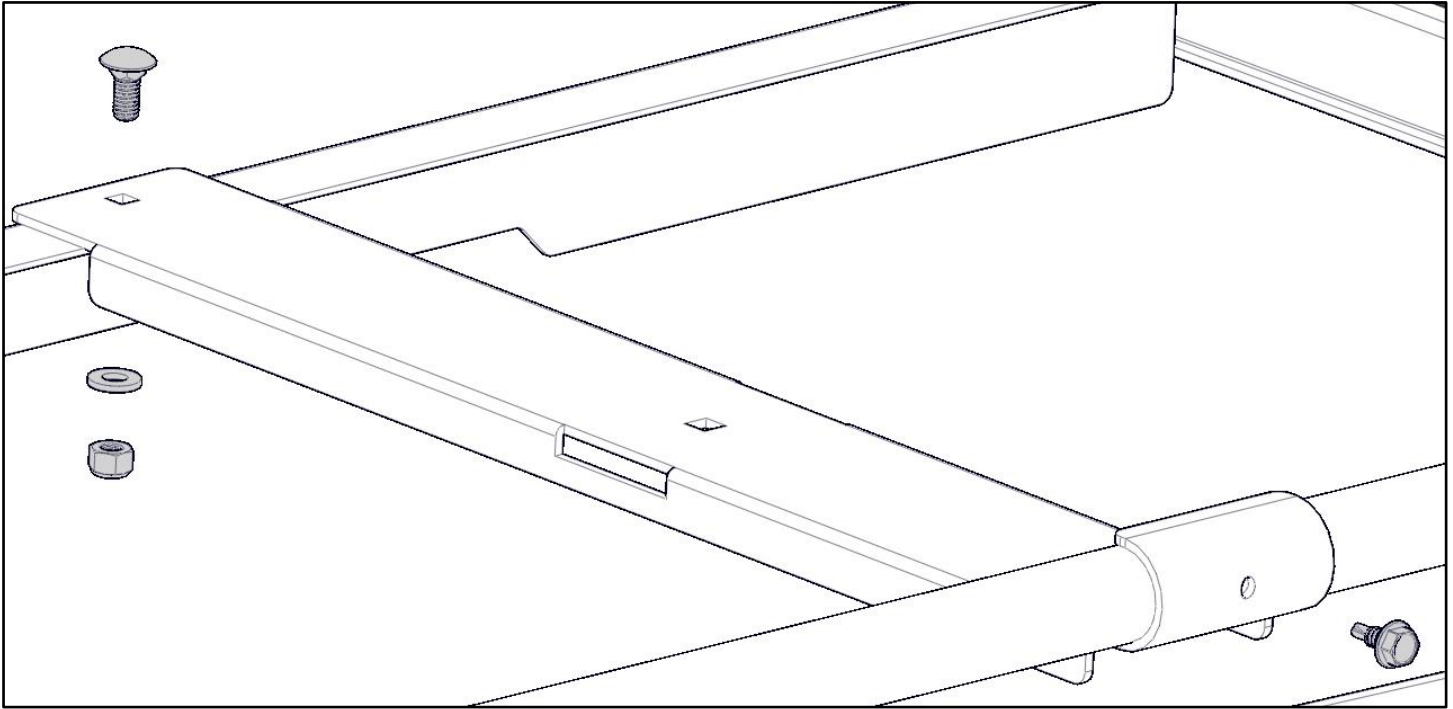
## Step 2 – Drill locations

- Once the desired location are found, Drill through the EXT bracket and into the tube using a No. 3 drill and drill into the cross support using a 5/16" drill.



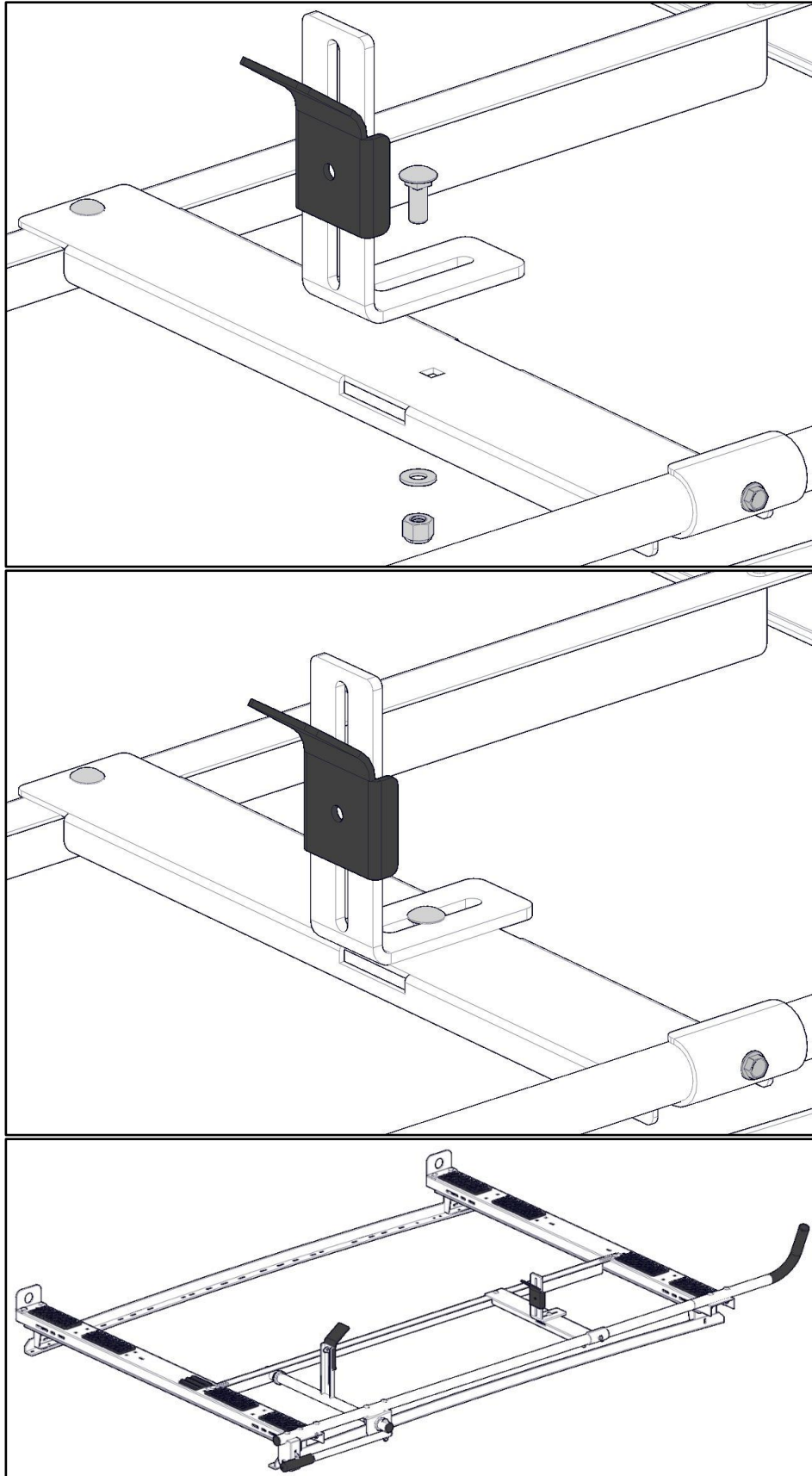
### Step 3 – Install EXT bracket

- Place EXT bracket where previous holes were drilled.
- Bolt EXT bracket to the cross support using a 5/16" x 3/4" carriage bolt, a 5/16" flat washer and a 5/16" nyloc nut.
- Bolt the EXT bracket to the tube using the 1/4" Self tapping screw.



## Step 4 – Re-Locate Ladder Stop

- Move ladder stop to the EXT bracket.
- Remove from the original location and re-bolt to the EXT bracket as shown.



ENSURE ALL BOLTS ARE TIGHT  
YOUR INSTALLATION IS NOW COMPLETE

