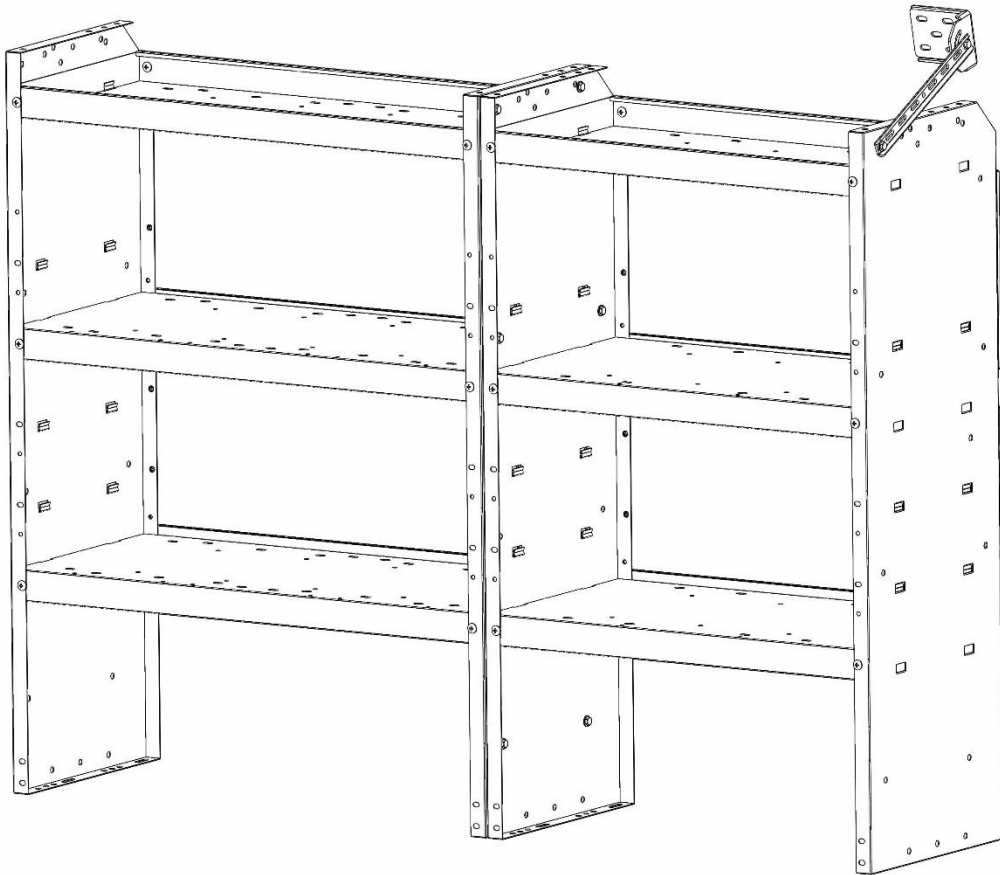




WE PUT EVERYTHING WITHIN REACH.

4826L

Installation Instructions



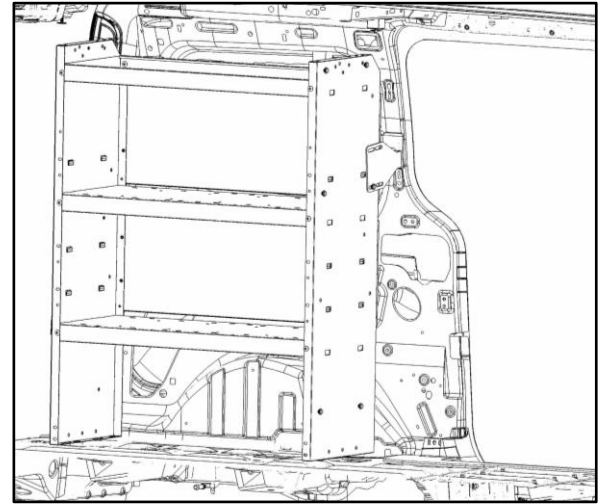
KargoMaster
11261 Trade Center Dr,
Rancho Cordova, CA 95742
800-343-7486

When moving shelf unit,
LIFT AND DO NOT DRAG THE SHELF UNITS INTO POSITION

Installation in Transit Connect

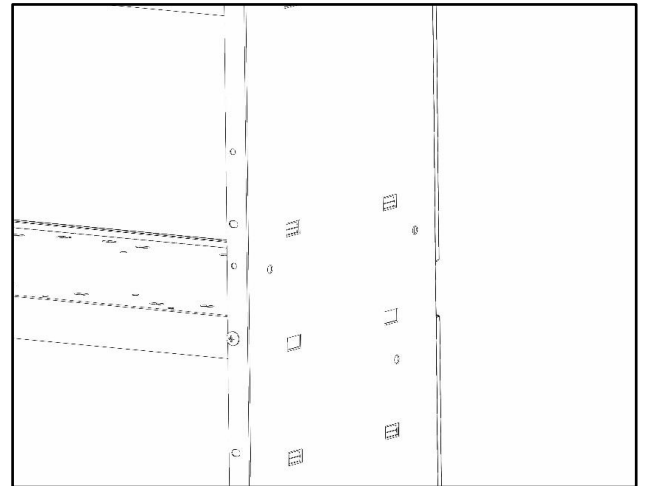
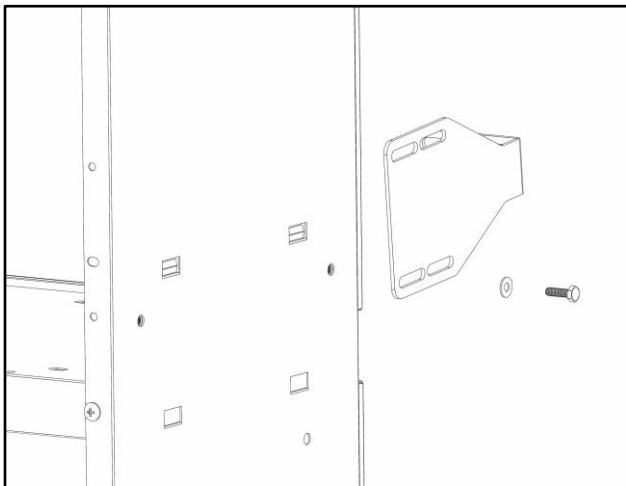
Step 1

- Be sure to have 32" shelf installed in rear of van (Drivers Side Shown)



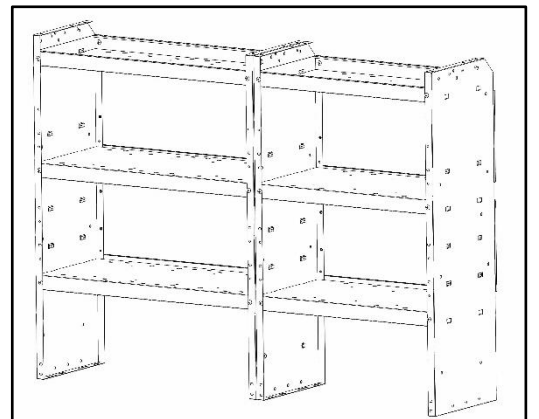
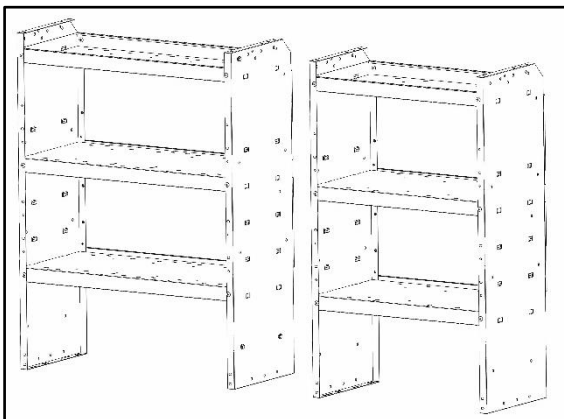
Step 2

- Locate mid support bracket towards the front of the van on the 32" shelf.
- Remove this bracket as shown.



Step 3

- Place 26" shelf in the slider doorway in the same orientation as the 32" shelf. (Driver Side Shown)
- Line holes up on side shelves of both 32" and 26".
- Straighten and square shelving units.

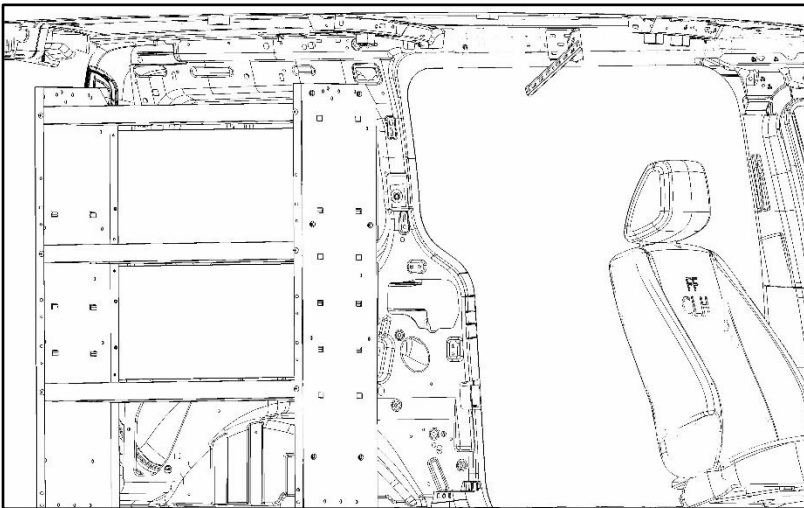
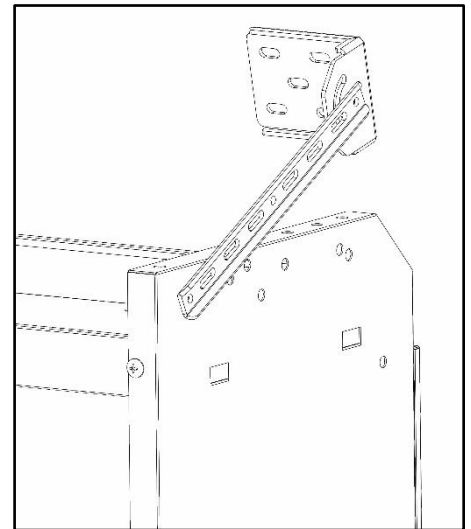


Step 4

- Bolt strap bracket to small angle bracket in orientation shown. The small angle bracket will have 5 slots in one side.
- Place strap bracket flat against the front-most side of the 26" shelf.
- Align strap bracket with a hole near the top of the shelf side.
- Mark the interior side of the van where the small, 5 slot bracket makes contact. We recommend marking 2-3 holes to install plus nuts.
- Remove both brackets and 26" shelf.
- Drill into interior side of van to allow for plus nut installation.

BE SURE NOT TO DRILL INTO ANY WIRES OR IMPORTANT PARTS

ALWAYS CHECK THAT IT IS SAFE TO DRILL

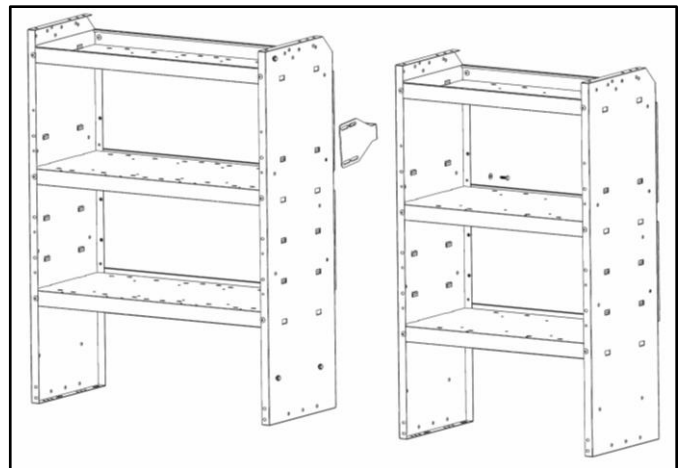


Step 5

- Install plusnuts. Bolt 5 slot angle bracket to previously installed plus nuts using 1/4-20 x 7/8" Hex head bolt, a split lock washer and a flat washer.

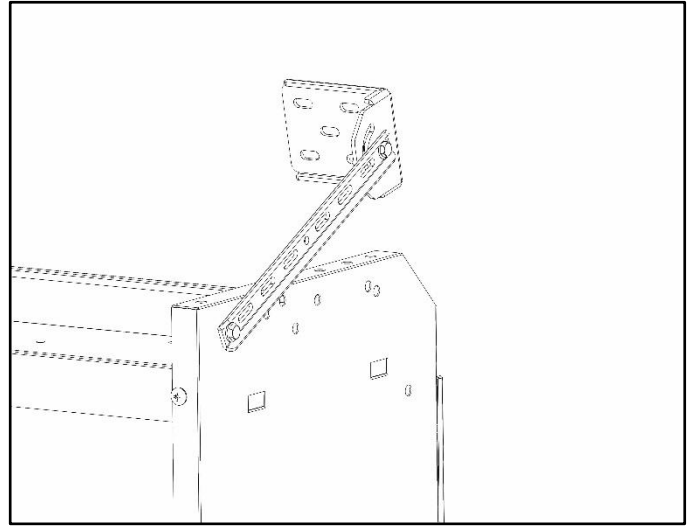
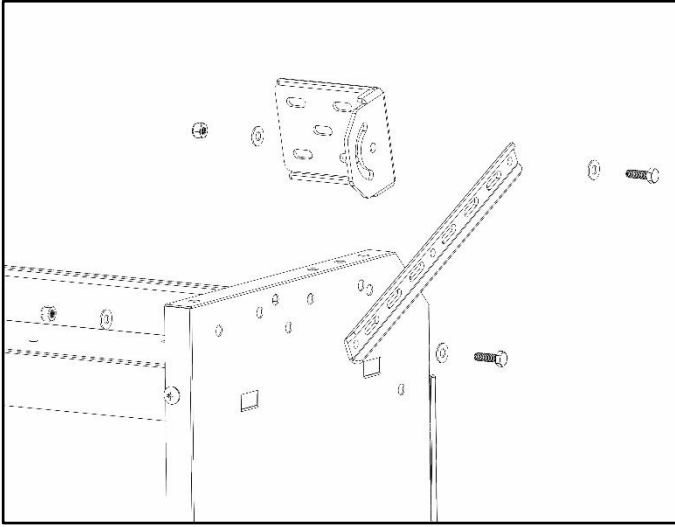
Step 6

- Place 26" shelf back into van.
- Mount mid mount bracket that was removed in [Step 2](#) back to the interior side of van.
- Align 26" shelf between the 32" shelf and the previously installed brackets from [Step 5](#)
- Sandwich mid support bracket in between the 32" and 26" shelves.
- Bolt through the 32" shelf, mid mount bracket and the 26" shelf using a 1/4-20 x 7/8" hex head bolt, two flat washers and a nyloc nut.



Step 7

- Bolt front side of 26" shelf to the brackets installed in **Step 5** using 1/4-20 x 7/8" hex head bolt, two flat washers and a nyloc nut.



Step 8

- Bolt 32" and 26" together using 1/4-20 x 7/8" hex head bolt, two flat washers and a nyloc nuts where possible.
- There is a pattern of 4x2 holes that should directly line up.

