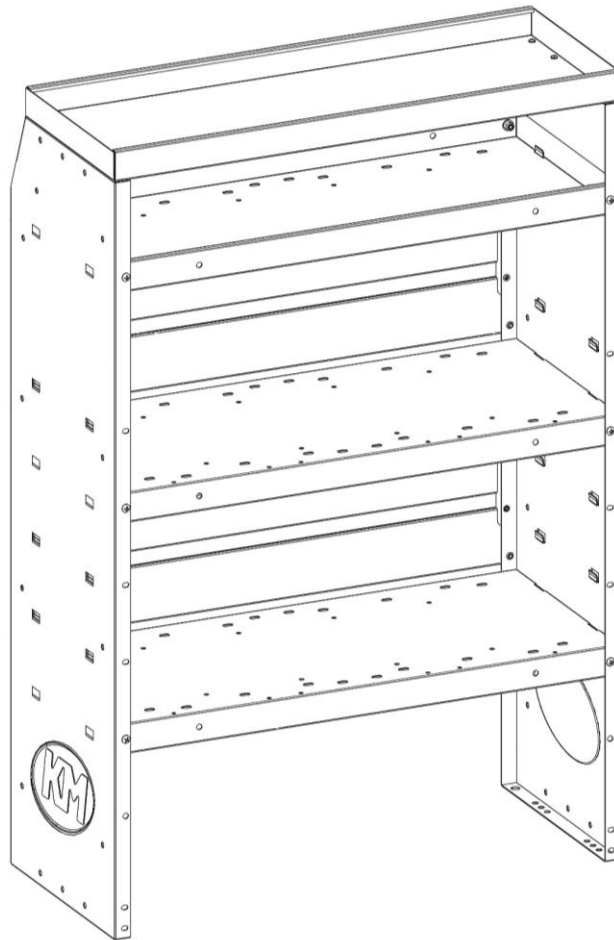


KARGO MASTER®

WE PUT EVERYTHING WITHIN REACH.

Instruction Guide

48171



Kargo Master
Rancho Cordova, CA 95742
800-343-7486
CustomerService@KargoMaster.com

PLEASE READ ALL INSTRUCTIONS AND WARNINGS PRIOR TO ASSEMBLING, INSTALLING, AND USING THIS PRODUCT.

Warning



Always check for wires, fuel tanks and lines, brake lines and other important vehicle functionality items prior to drilling and installing all products.

Tools Needed

3/8" Wrench and Socket	7/16" Wrench and Socket
Phillips Driver	

Table of Contents

Before You Begin 1

Parts List..... 2

Hardware 2

Step 1 – Prepare Shelf Unit..... 3

Step 2 – Mount Top Back Panel..... 3

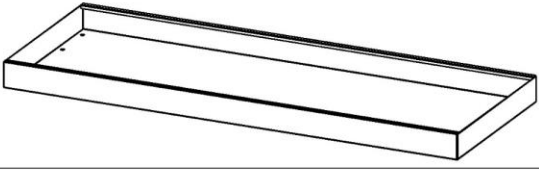
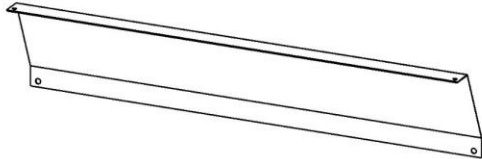
Step 3 – Mount Top Shelf 4

Step 4 – Align and Square 4

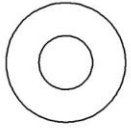

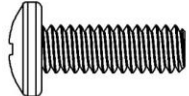

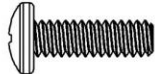
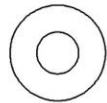
Before You Begin

- Read all instructions.
- Have 32" shelf assembled prior to installing top shelf.

Parts List

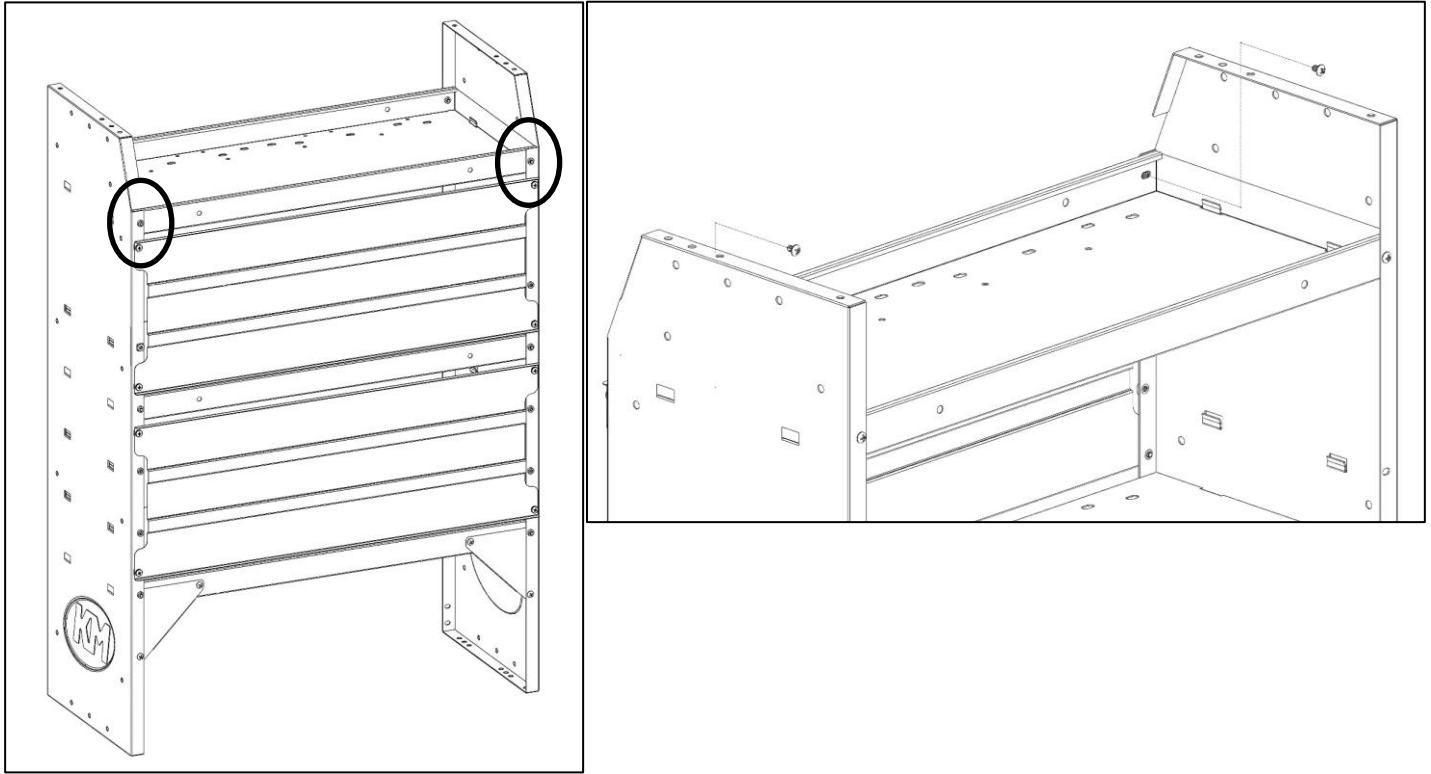
ITEM NO.	ITEM	PART NUMBER	DESCRIPTION	QTY.
1		48171-00-001	TOP SHELF	1
2		48171-00-002	TOP BACK PANEL	1
3		18-48100	EXTRA TOP SHELF HARDWARE	1

Hardware

ITEM	HARDWARE TO SCALE	PART NUMBER	DESCRIPTION	QTY.
1		33078	1/4" WASHER	2
2		37018	1/4"-20 NYLON INSERT LOCK NUT	2
3		29174	1/4"-20 X 3/4" PHILLIPS HEAD SCREW	2
5		37014	10-24 NYLON INSERT LOCK NUT	6
6		74803	10-24 X 5/8" PHILLIPS HEAD SCREW	6
4		33074	#10 FLAT WASHER	6

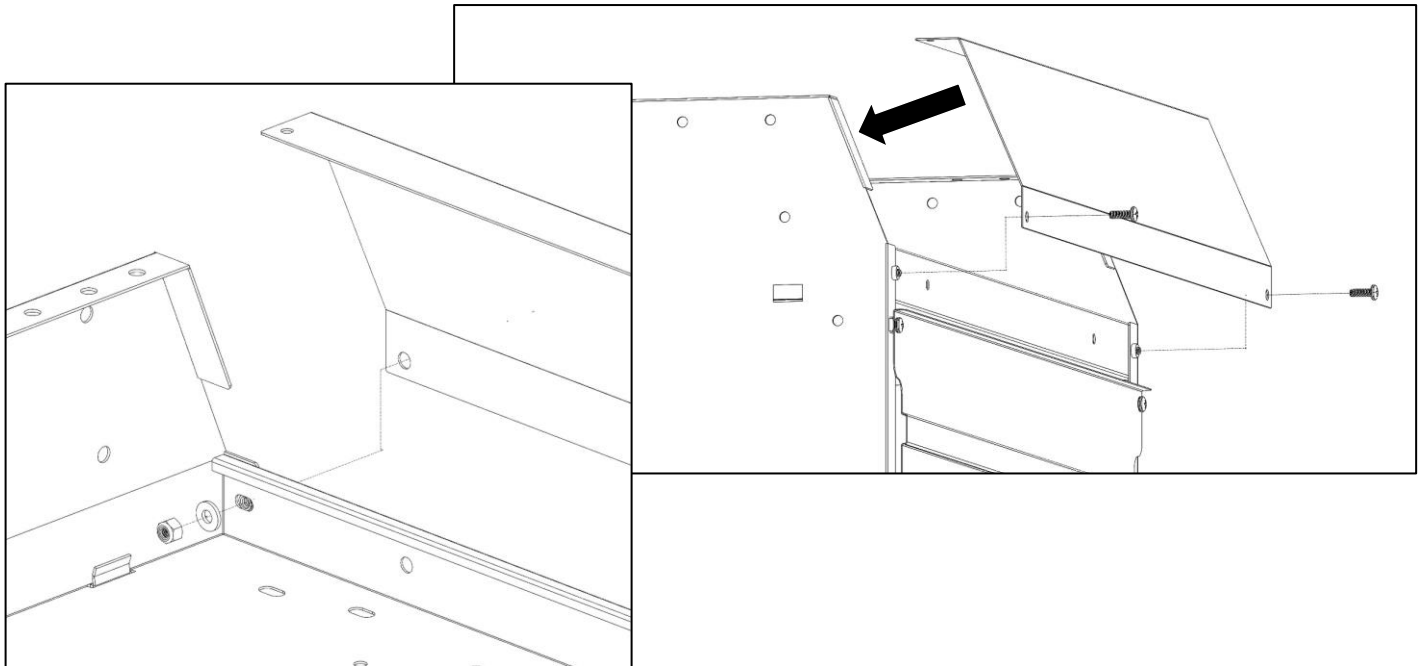
Step 1 – Prepare Shelf Unit

- Remove both top-rear bolts from assembled shelf unit where the top shelf is installed.



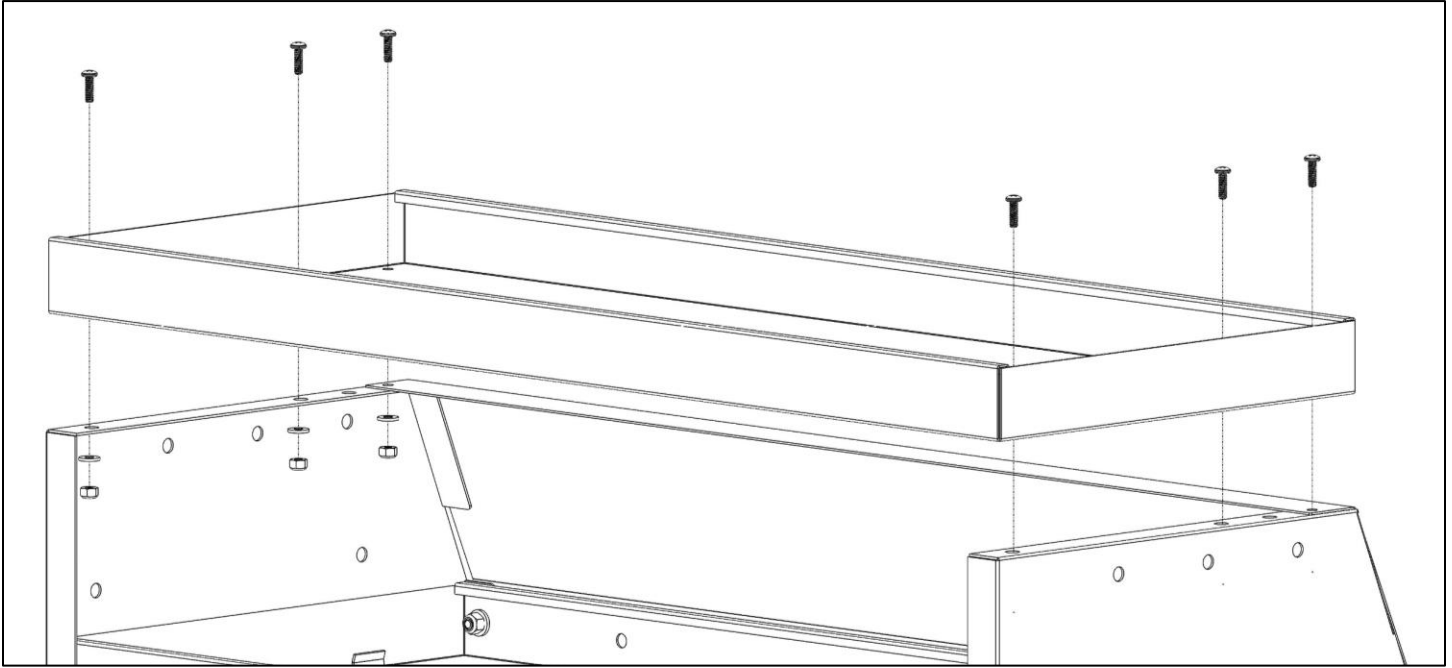
Step 2 – Mount Top Back Panel

- Place top back panel flush against the backside of shelf unit.
- Using two 1/4" x 3/4" Phillips head, two 1/4" flat washer and two 1/4" lock nut, bolt through the installed self-clinching nut, from rear to front, where previous bolt was removed, as shown below.
- Snug tighten, but allow movement.



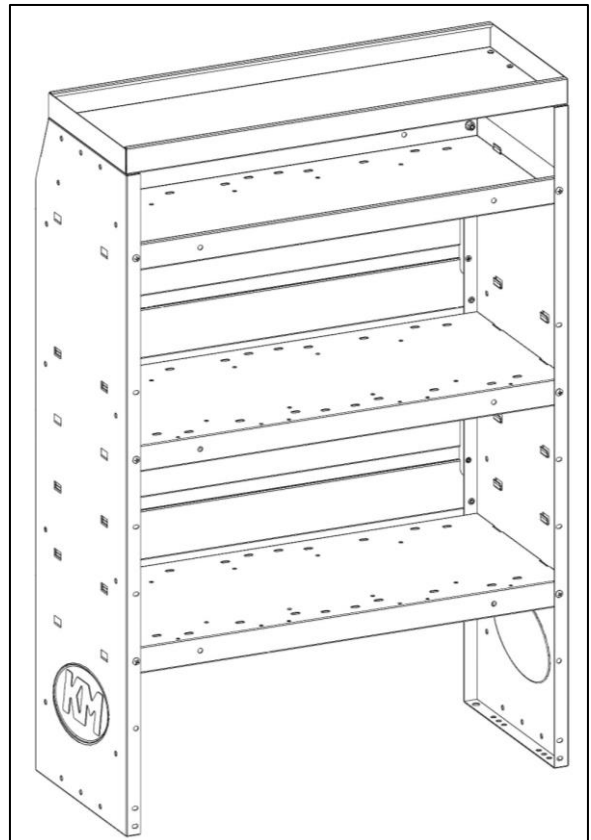
Step 3 – Mount Top Shelf

- Place top shelf on top of assembled shelf unit.
- On each side, bolt top shelf through top back panel and through the top of the shelf assembly using three #10 x 9/16" Phillips head screws, three #10 flat washers and three #10 lock nuts.
- Snug tighten, but allow movement.



Step 4 – Align and Square

- Align and square top shelf.
- Go back and tighten all hardware.
- Install shelf per shelf installation instructions included with the shelving unit.



**GO BACK AND ENSURE ALL HARDWARE IS
TIGHTENED.**

ASSEMBLY IS COMPLETE