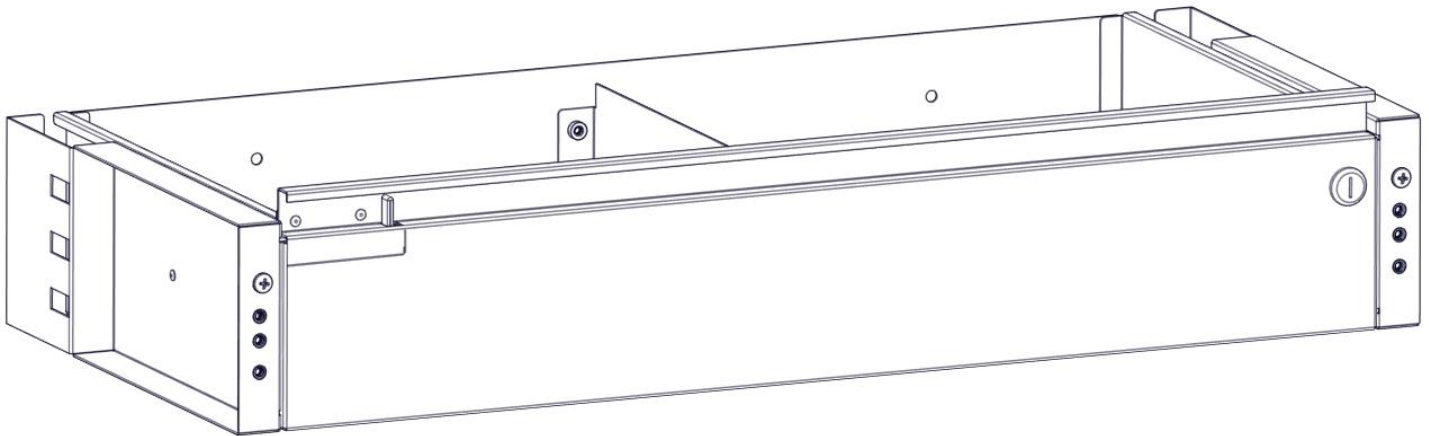




WE PUT EVERYTHING WITHIN REACH.

Instruction Guide

48132



Kargo Master
Rancho Cordova, CA 95742
800-343-7486
CustomerService@KargoMaster.com

*PLEASE READ ALL INSTRUCTIONS AND WARNINGS PRIOR TO ASSEMBLING,
INSTALLING, AND USING THIS PRODUCT*

Warning



Always check for wires, fuel tanks and lines, brake lines and other important vehicle functionality items prior to drilling and installing all products.

Tools Needed

| |
|-----------------|
| Phillips Driver |
|-----------------|

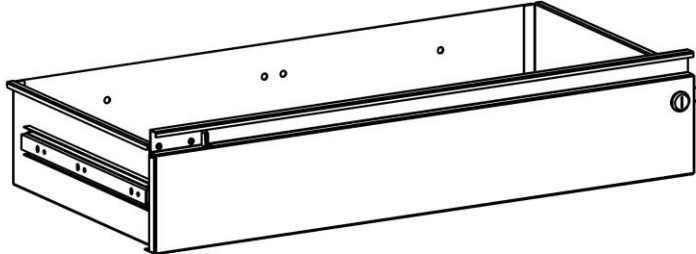
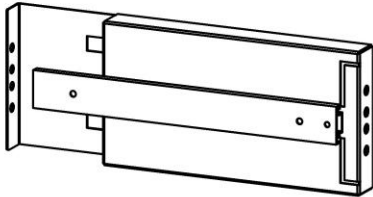
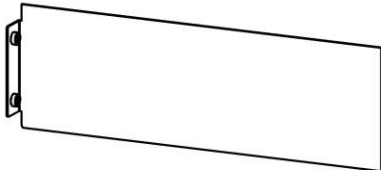
Table of Contents

| | |
|-------------------------------------|---|
| Parts List | 3 |
| Hardware | 3 |
| Step 1 – Determine Location | 4 |
| Step 2 – Attach Drawer Mounts | 5 |
| Step 3 – Install Divider | 6 |
| Step 4 – Install Drawer | 7 |
| Drawer Removal | 8 |

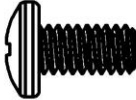
Before You Begin

- Read all instructions.
 - DO NOT OVERLOAD THE DRAWER UNIT. MAXIMUM CAPACITY IS 75lbs.
-

Parts

| ITEM NO. | | PART NUMBER | DESCRIPTION | QTY. |
|----------|-----------------------------------------------------------------------------------|-------------|-----------------------|------|
| A |  | 48132-10-R1 | 32" Drawer Assembly | 1 |
| B |  | 481x2-10 | Drawer Mount Assembly | 2 |
| C |  | 481x2-20 | Divider Assembly | 1 |
| | | 18-481x2-R1 | HARDWARE | 1 |

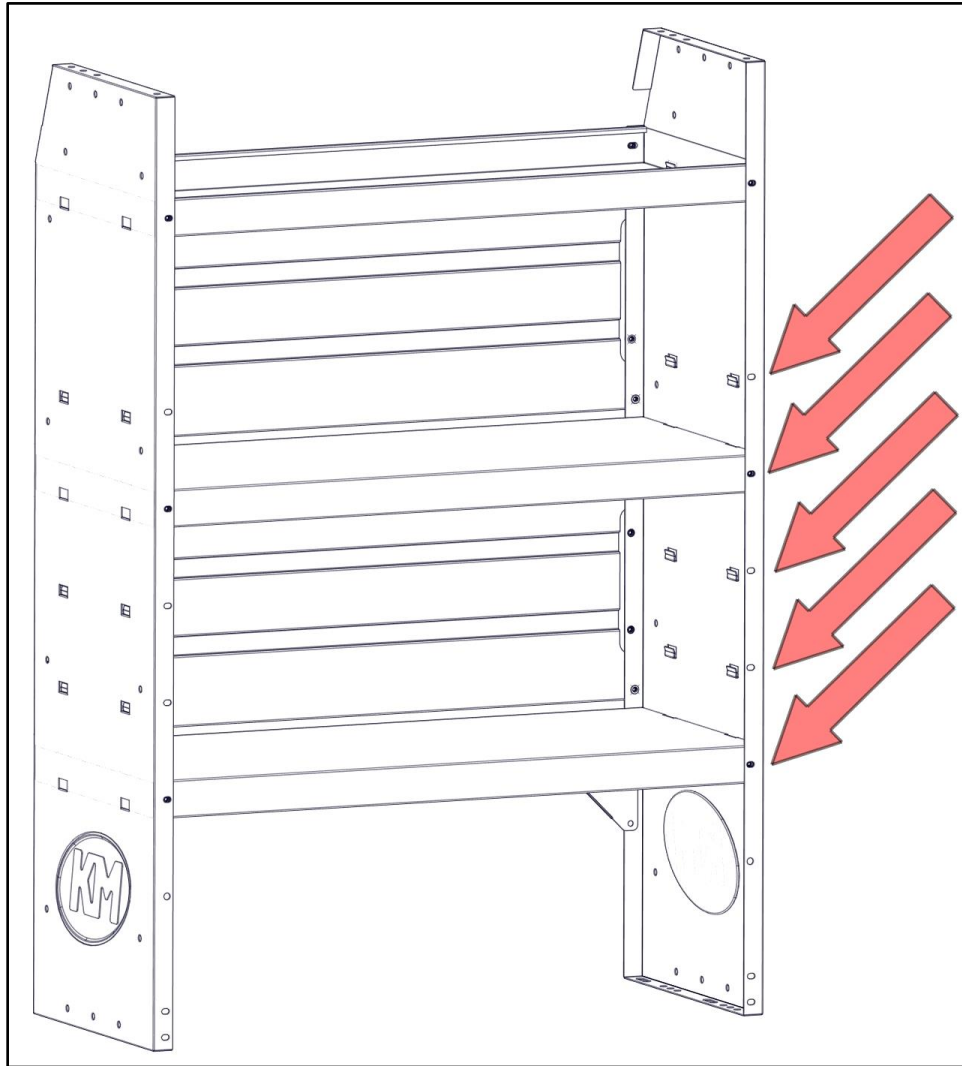
Hardware

| ITEM NO. | TO SCALE | PART NUMBER | DESCRIPTION | QTY. |
|----------|-------------------------------------------------------------------------------------|-------------|-------------------------------|------|
| 1 |  | 96562A537 | 1/4"-20 x 1/2" Pan Head Screw | 6 |

Step 1 – Determine Location

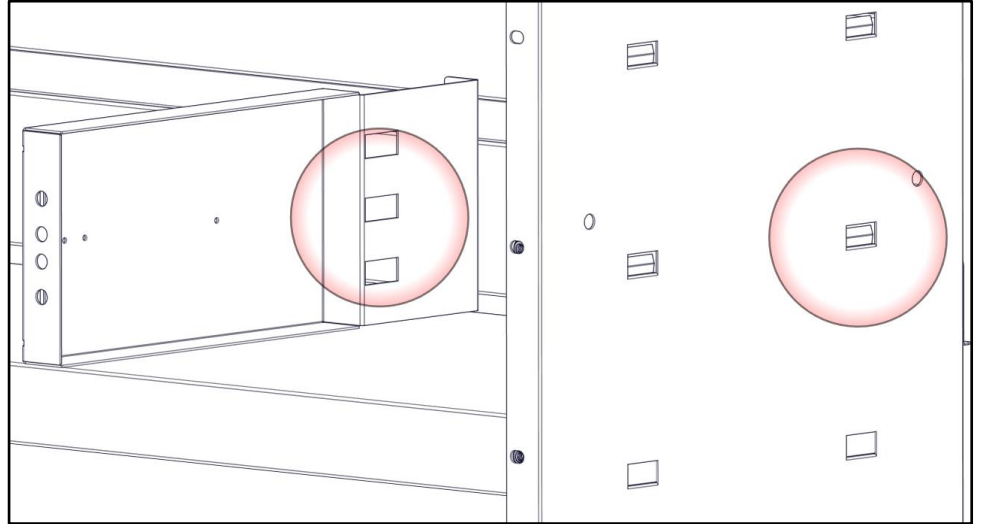
- Determine the location for the drawer to be mounted.

Note: If only one drawer unit is being installed, it is recommended to install directly under a shelf. This provides an enclosed area when drawer is closed.

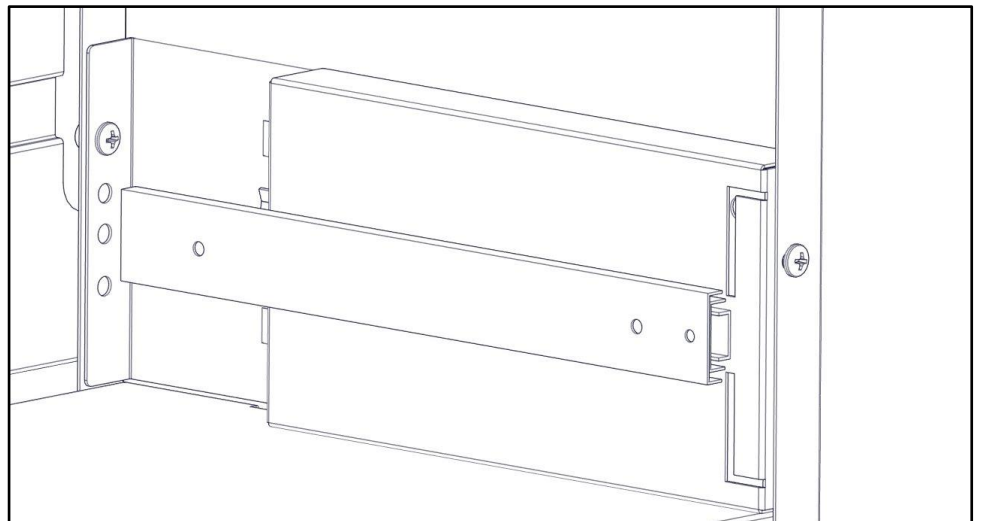
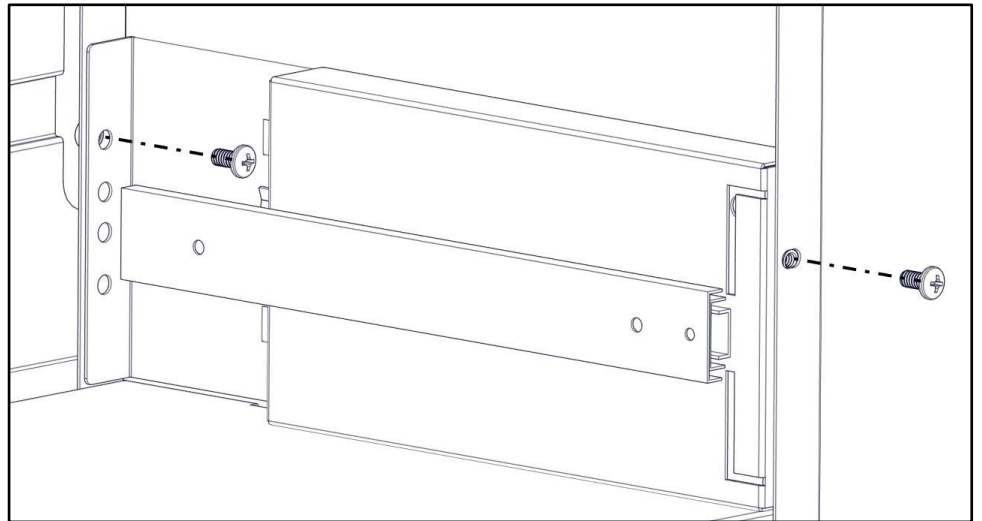


Step 2 – Attach Drawer Mounts

- Place the drawer mount into the shelf unit in the orientation shown.
- Hook the drawer mounts onto the rear tab in the shelf side panel.

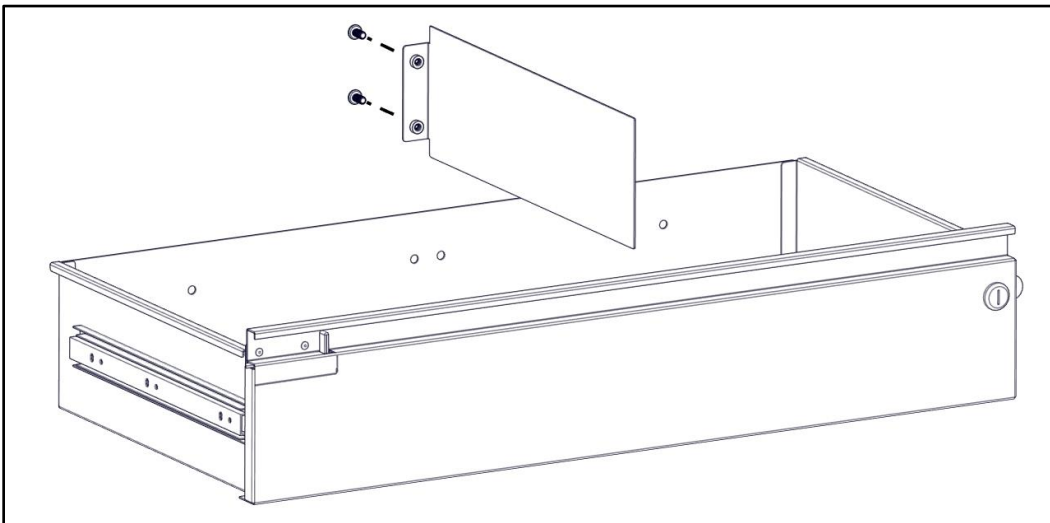
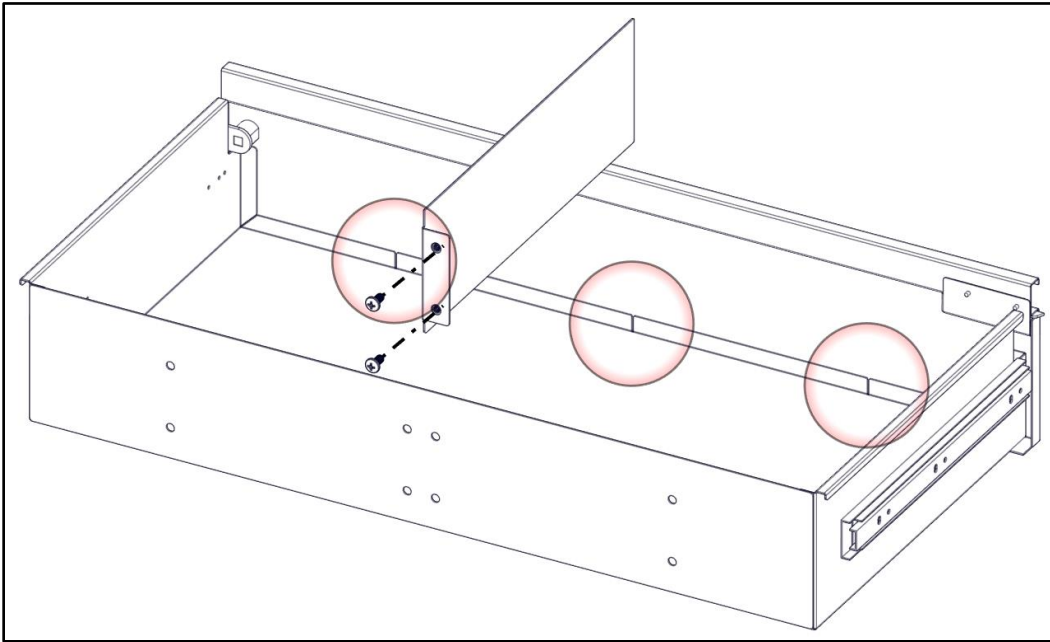


- Using two 1/4" x 1/2" pan head screws, attach the drawer mount to the threaded emboss at the rear and through the hole in the front of the shelf side panel.
- TIGHTEN the rear screw.
- Snug tighten the front screw.
- Repeat on both sides.



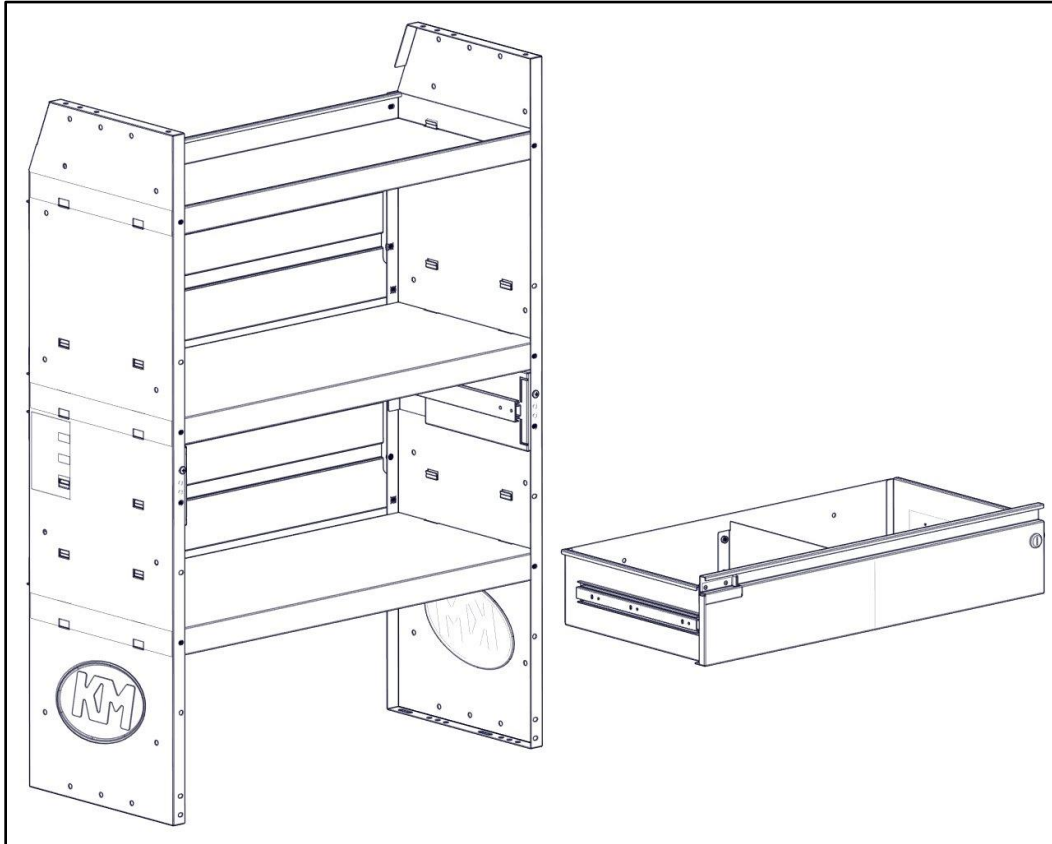
Step 3 – Install Divider

- If desired, install the divider into the shelf assembly. There are three locations to choose from.
- Bolt into place using 1/4" x 1/2" pan head screw. Be sure the front of the divider sits in the slot at the front of the drawer assembly.



Step 4 – Install Drawer

- Align the slider rails on the previously installed side mounts with the slides on the drawer unit.
- Slide the drawer assembly in place. The drawer should move freely in and out of place. Be sure the drawer can NOT pull out from sliders when fully opened.
- Tighten the front screws from Step 2.

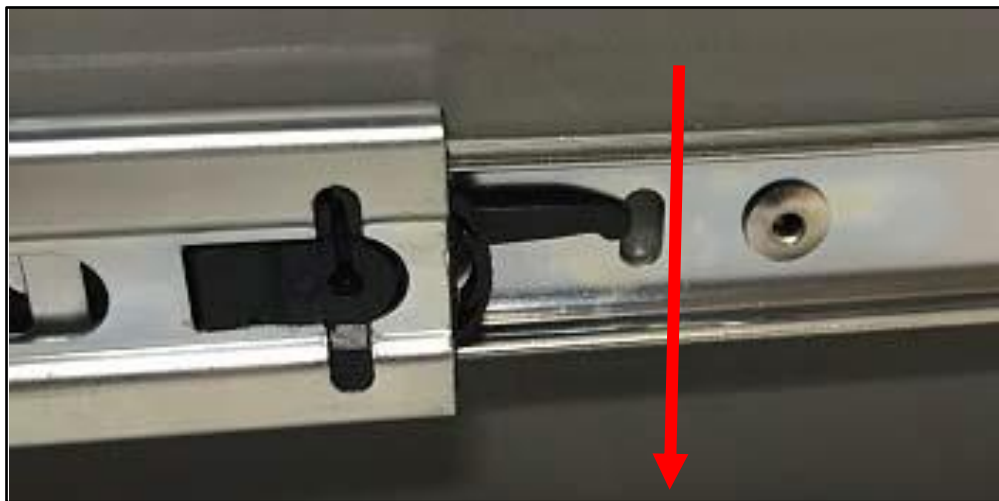


Steps to remove drawer from drawer mounts

- Extend the drawer all the way out to view the latch.
- Gently click the latch to disengage the rail.

Note: If the latch's original position is up, clip down to disengage and vice versa.

- Disengage rail on both sides and pull drawer unit out.



Multiple shelf units may be installed in a variety of different locations. Some examples are shown below.

When only one drawer unit is being installed, it is recommended to install directly below a shelf to provide an enclosed area when the drawer is closed.

Ensure all bolts are tight. Your Installation is now complete.

