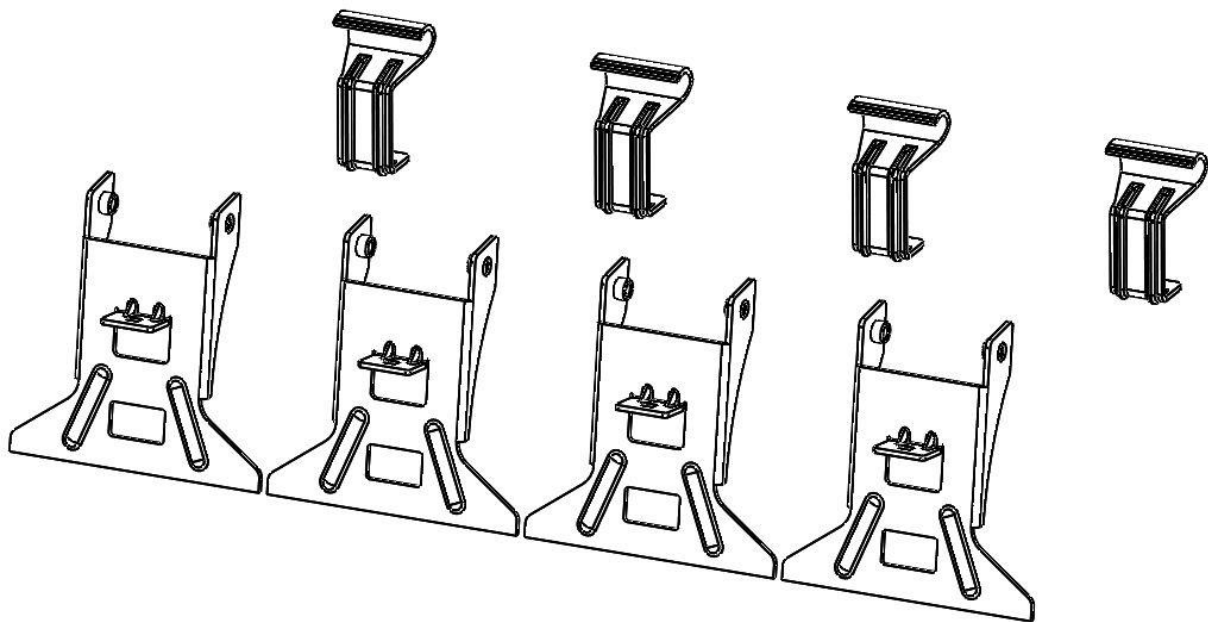




WE PUT EVERYTHING WITHIN REACH.

Installation Guide

409CD



Kargo Master
Rancho Cordova, CA 95742
800-343-7486
CustomerService@KargoMaster.com

DATE: _____

***PLEASE READ ALL INSTRUCTIONS AND WARNINGS PRIOR TO ASSEMBLING,
INSTALLING, AND USING THIS PRODUCT***

Warning



Always check for wires, fuel tanks and lines, brake lines and other important vehicle functionality items prior to drilling and installing all products.

Tools Needed

9/16" Socket and Wrench	1/2" Socket and Wrench
-------------------------	------------------------

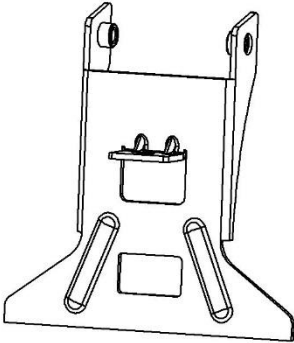
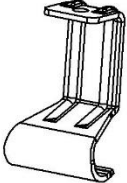
Table of Contents

Parts List 2
Hardware List 3
Step 1 – Foot Attachment 4
Step 2 – Assemble Top Tray 4
Step 3 – Assemble Floor Mounts 5
Step 4 – Install into Vehicle 5

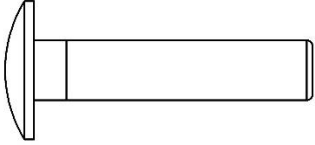
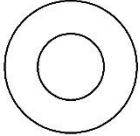
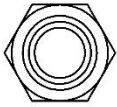
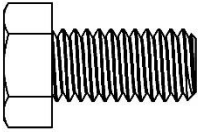
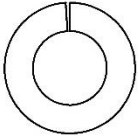
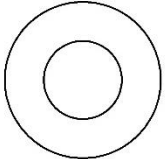
Before You Begin

- Read all instructions.
- Have desired ladder rack ready to be installed.

Parts

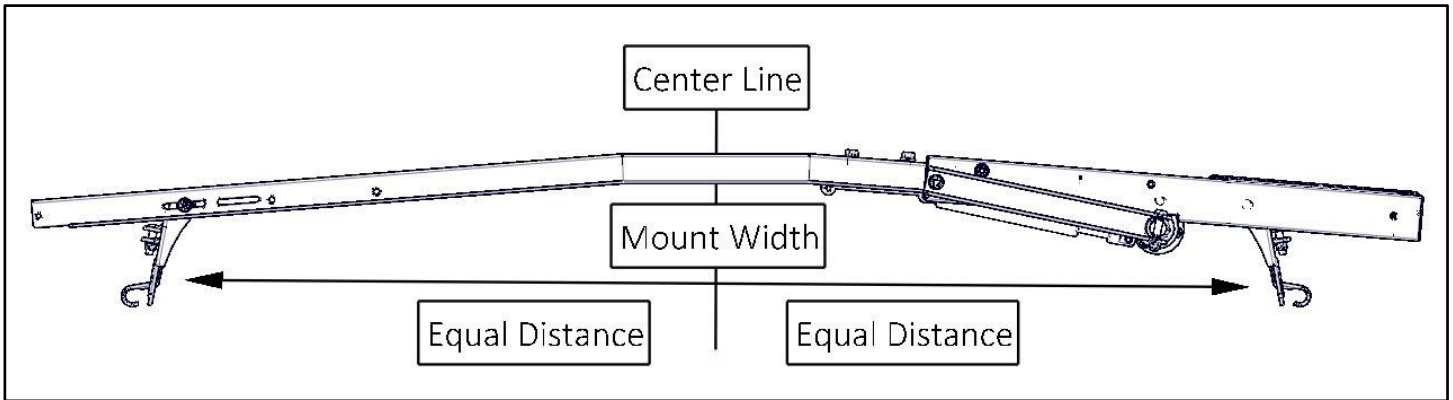
ITEM NO.		PART NUMBER	DESCRIPTION	QTY.
A		409CD-00-001	GM FOOT	4
B		40800-00-002	CLAMP BRK	4
		18-4081C	Hardware Kit	1

Hardware

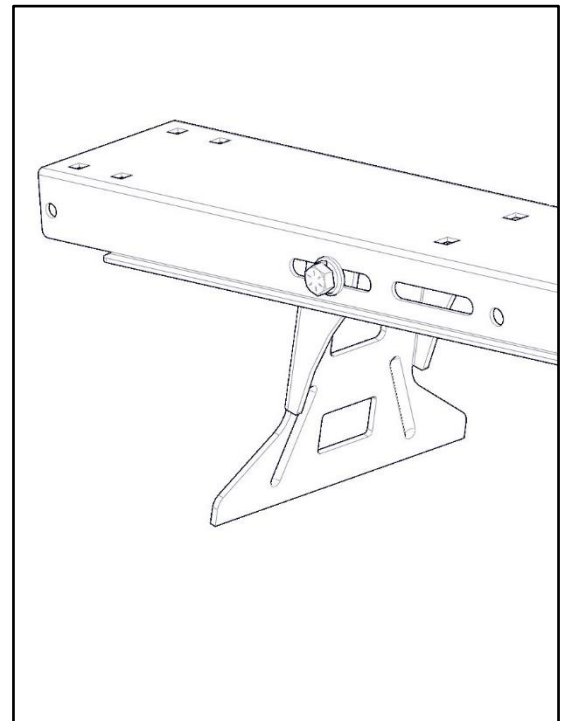
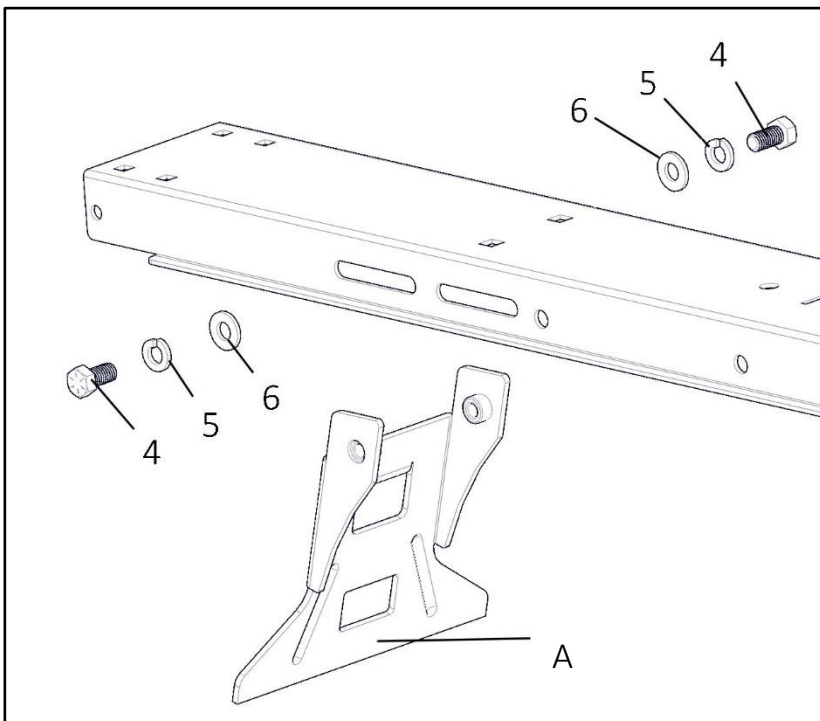
ITEM NO.	TO SCALE	PART NUMBER	DESCRIPTION	QTY.
1		90185A587	.312-18x1.5 Carriage Bolt	4
2		90126A030	5/16 Flat Washer	4
3		95615A160	5/16-18 Nyloc	4
4		92620A622	.375-16 x .75 HH	8
5		91104A031	3/8" Lock Washer	8
6		98023A031	3/8" Flat Washer	8

Step 1 – Foot Attachment

- Measure width of rain gutter on van, front and rear, typically they differ.
- Approximately at that width measured from the rain gutter, find the corresponding slots on the ladder rack cross bow and attach mounting foot as shown. Be sure there is an equal distance from the center of the cross bow to each foot.

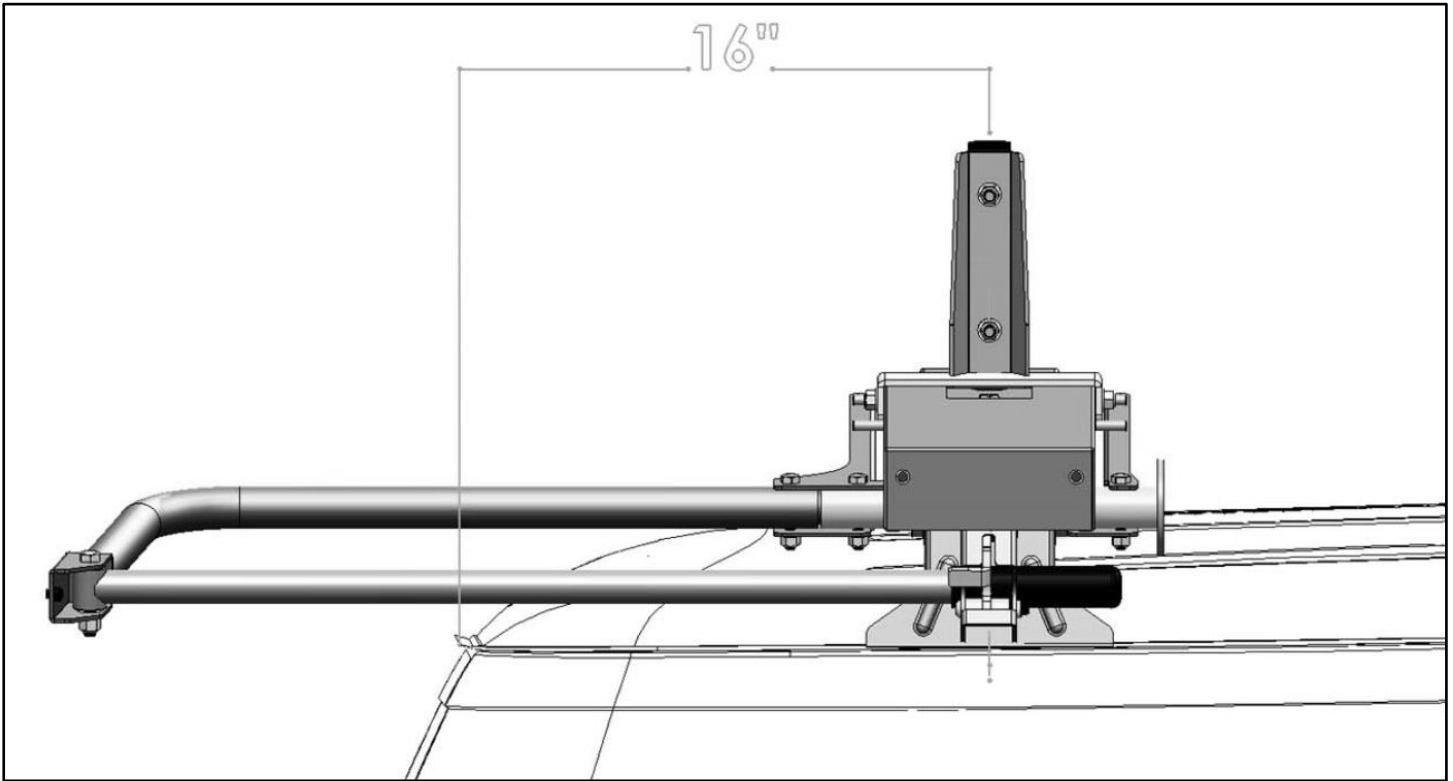


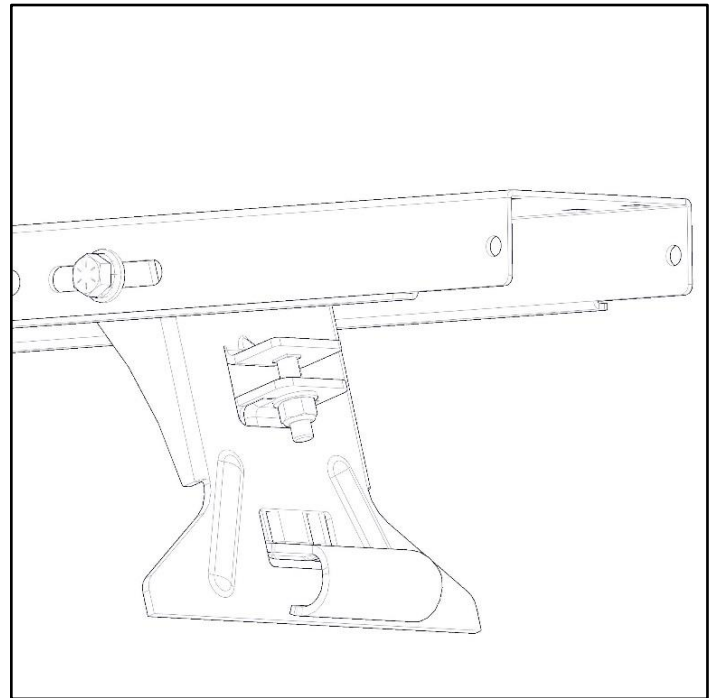
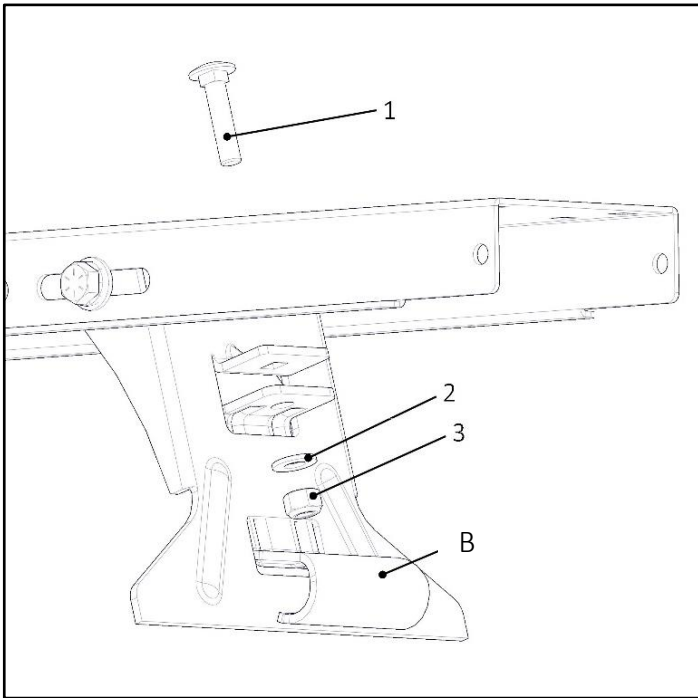
- Attach GM Foot (A) to both sides of each bow using 3/8" x 3/4" hex bolts (4) with lock washers (5) and flat washers (6) as shown.
- Leave loose until you set the assembly onto the vehicle. Most vans have a wider rain gutter at the front of the vehicle.



Step 2 – Attach to Rain Gutter

- Place rear bow assembly at rear of van, approximately 16" from rear of van.
- Be sure to have enough space for the handle to clear the rear of van when operating rack.





- Using a 5/16" x 1-1/2" carriage bolt (1), a 5/16" flat washer (2) and a 5/16" nyloc nut (3), insert gutter mount (B) through mount foot (A).
- Be sure the rear bow assembly is secure, but can still be moved front to rear.
- Place front bow onto roof of van.
- Assemble rack as shown in the ladder rack instructions.
- Once the ladder rack is square and aligned to the users desire, TIGHTEN.
- Repeat on all four corners of van.

Shown without van for clarity

GO BACK AND ENSURE ALL HARDWARE IS TIGHT

Your installation is now complete.