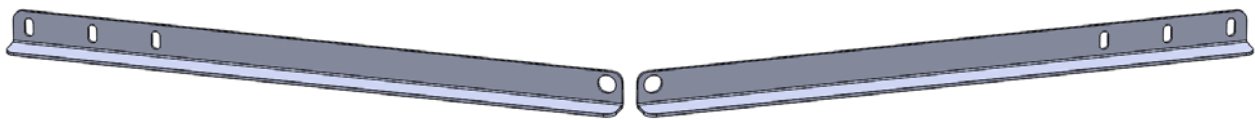


KARGO MASTER

40829 Parts List




Roller Bar



Left L-Bracket

Right L-Bracket

Hardware List

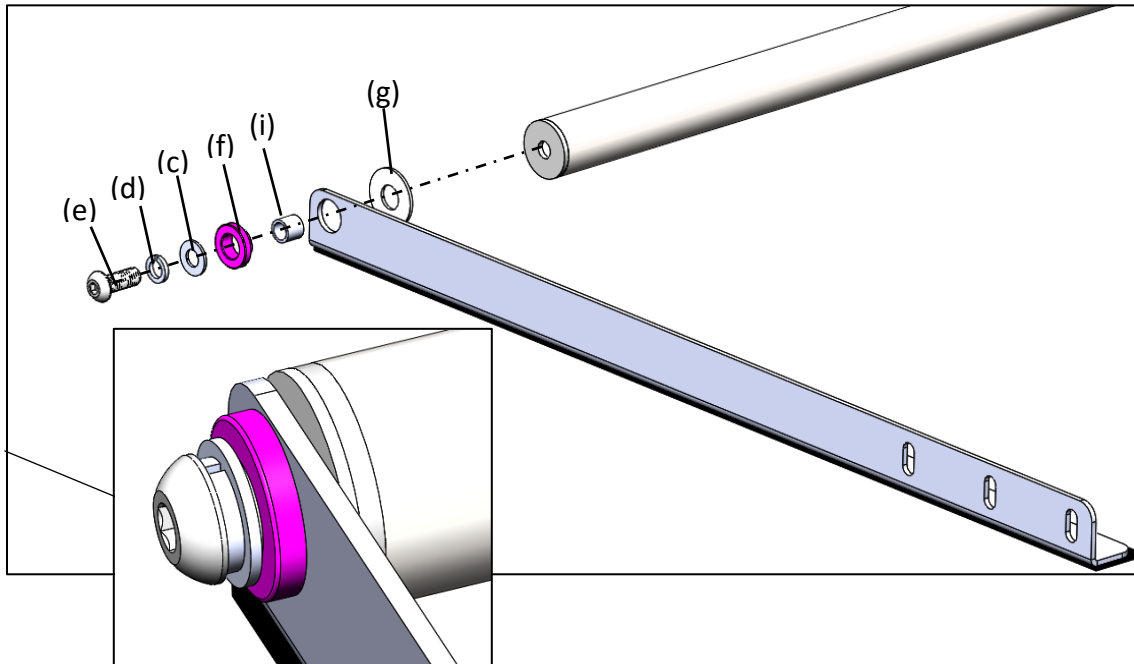
(a) Qty 4 – 5/16" Flat Washer		(c) Qty 2 – 3/8" Flat Washer		(e) Qty 2 – 3/8"-16 x 1" Button Head Socket Screw		(g) Qty 2 – Nylon Washer		(b) Qty 2 – 5/16" -18 Nyloc Nut		(d) Qty 2 – 3/8" Lock Washer		(f) Qty 2 – 5/16" -18 x 1" Button Head Socket Screw		(h) Qty 2 – Nylon Bushing		(i) Qty 2 – Spacer Tube	
-------------------------------------	---	------------------------------------	---	---	---	--------------------------------	---	---------------------------------------	---	------------------------------------	---	---	---	---------------------------------	---	-------------------------------	---

40829 Installation Instructions

Step 1

Attach the L-Bracket to the Roller Bar using 3/8"x1" bolt (e), lock washer (d), flat washer (c), nylon Bushing (f), spacer tube (i) and nylon washer (g) as picture shown below.

*SNUG TIGHTEN



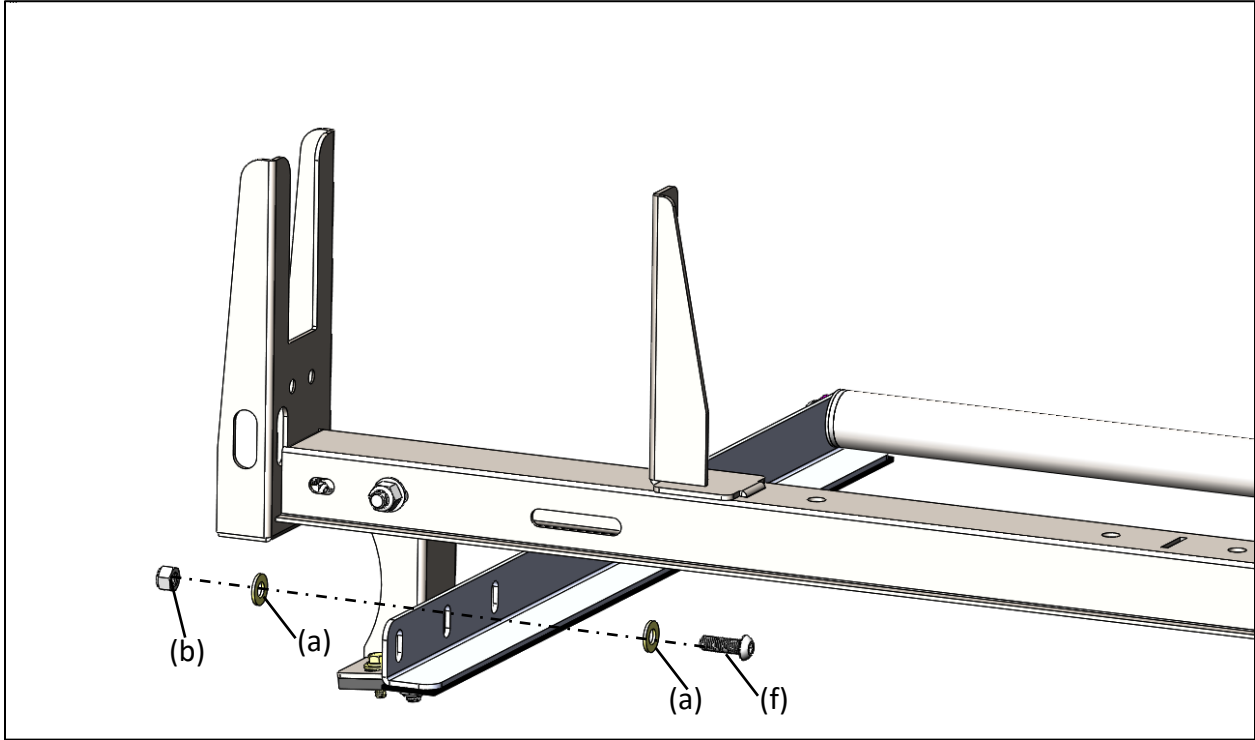
Step 2

Repeat step 1 for the other side.



Step 3

Place Roller Bar Set on to the Rack. Bolt the L-Bracket to the foot with a 5/16"x1" bolt (f), two flat washers (a) and a nylon nut (b). Repeat this step for the other side. BE SURE TO USE THE SLOT THAT WILL ALLOW THE ROLLER BAR TO CLEAR THE BACK OF THE VEHICLE.



Step 4

Adjust and **TIGHTEN** all bolts. Your installation is now complete.

