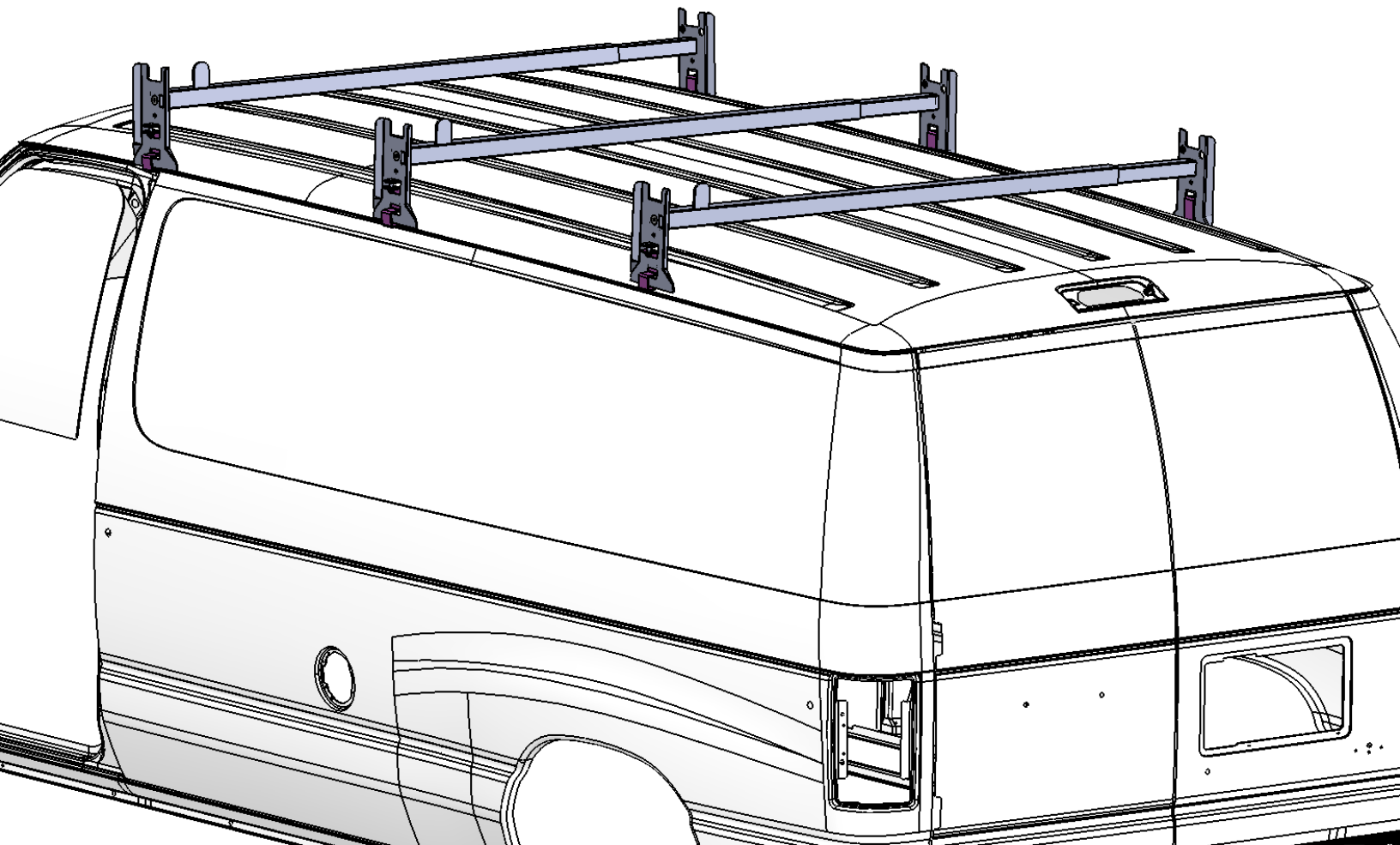


KARGO MASTER®

For TECHNICAL SUPPORT Visit Us at WWW.KARGOMASTER.COM
or CALL: 800-343-7486 Monday - Friday 8:30 A.M. to 5:00 P.M. (PST)

Assembly Instructions For:

40824 UTILITY VAN CENTER CROSS BAR



Hardware

(c)
5/16"
Flat Washer
2 each



(d)
5/16" x 1 1/4"
Carriage Bolt
2 each



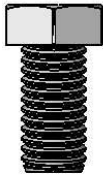
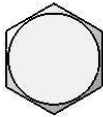
(e)
3/8" x 3/8"
Set Screw
1 each



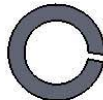
(f)
5/16"
Nylock Hex Nut
2 each



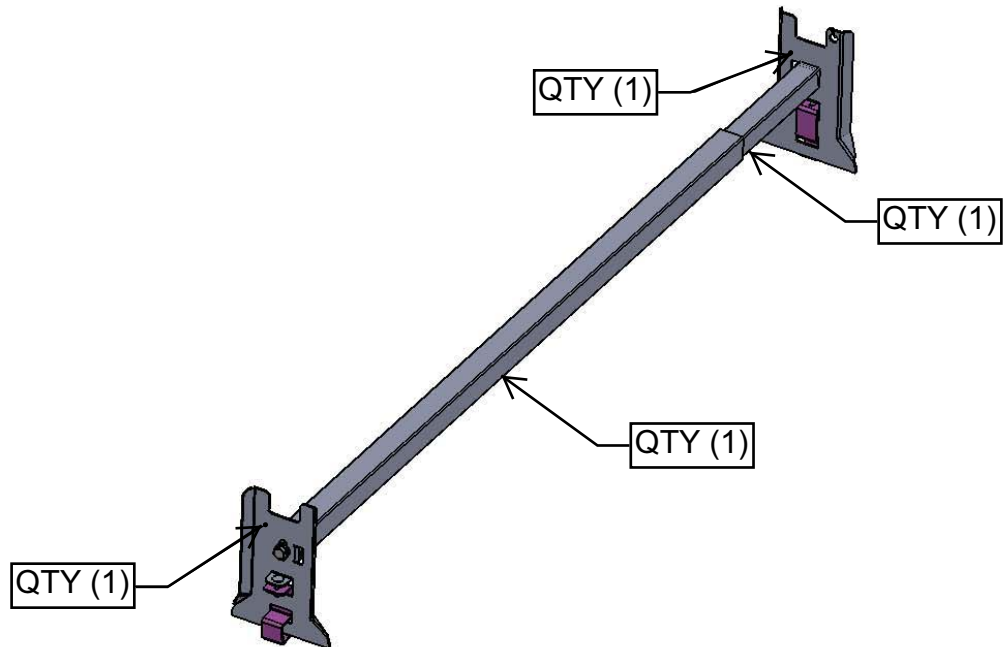
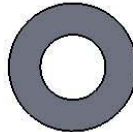
(h)
1/2" x 1"
Hex Bolt
2 each



(i)
1/2"
Lock Washer
2 each



(j)
1/2"
Flat Washer
2 each



40824
Utility Van Center Cross Bar

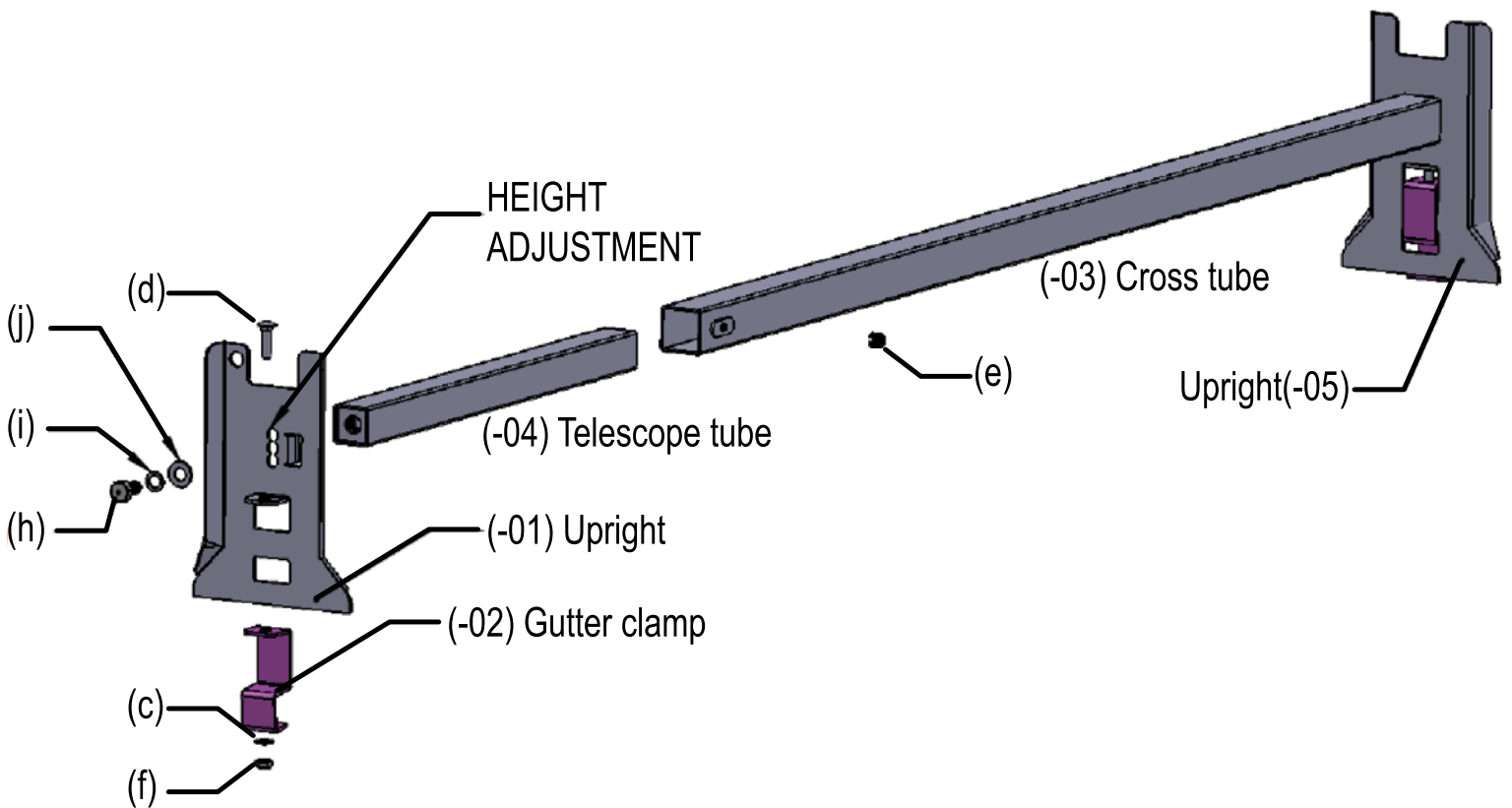


STEP 1:

Attach uprights (-01) to telescope tube (-04) and uprights (-05) to cross tube (-03) using 1/2" Hex Bolt (h) with flat (i) and lock (j).

Now insert telescope tube (-04) assembly into cross tube (-03).

NOTE: USE HEIGHT ADJUSTMENT TO LEVEL BAR ON VAN



For TECHNICAL SUPPORT Visit Us at WWW.KARGOMASTER.COM

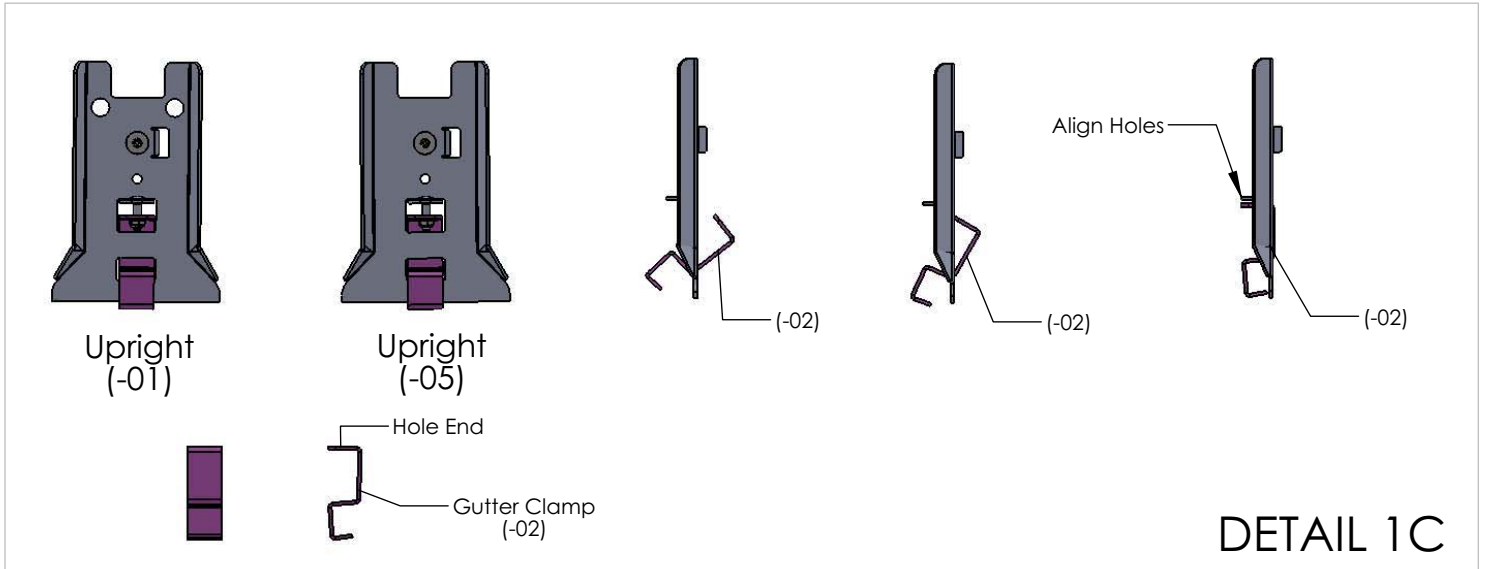
or CALL: 800-343-7486 Monday - Friday 8:30 A.M. to 5:00 P.M. (PST)

STEP 2:

Set bar assembly in place on the van gutter and even up. Insert set screw (e) in cross tube (-03) and snug tighten. Now slip the gutter clamp (-02) (hole end) through the lower window of the upright and rotate through the top window of the upright to align the holes as shown in DETAIL 1C.

STEP 3:

Insert gutter clamp bolts (d) flat washers (c) and nylock nuts (f). Snug all bolts. **DO NOT OVER TIGHTEN.**



For TECHNICAL SUPPORT Visit Us at WWW.KARGOMASTER.COM

KARGO MASTER®

or CALL: 800-343-7486 Monday - Friday 8:30 A.M. to 5:00 P.M. (PST)