



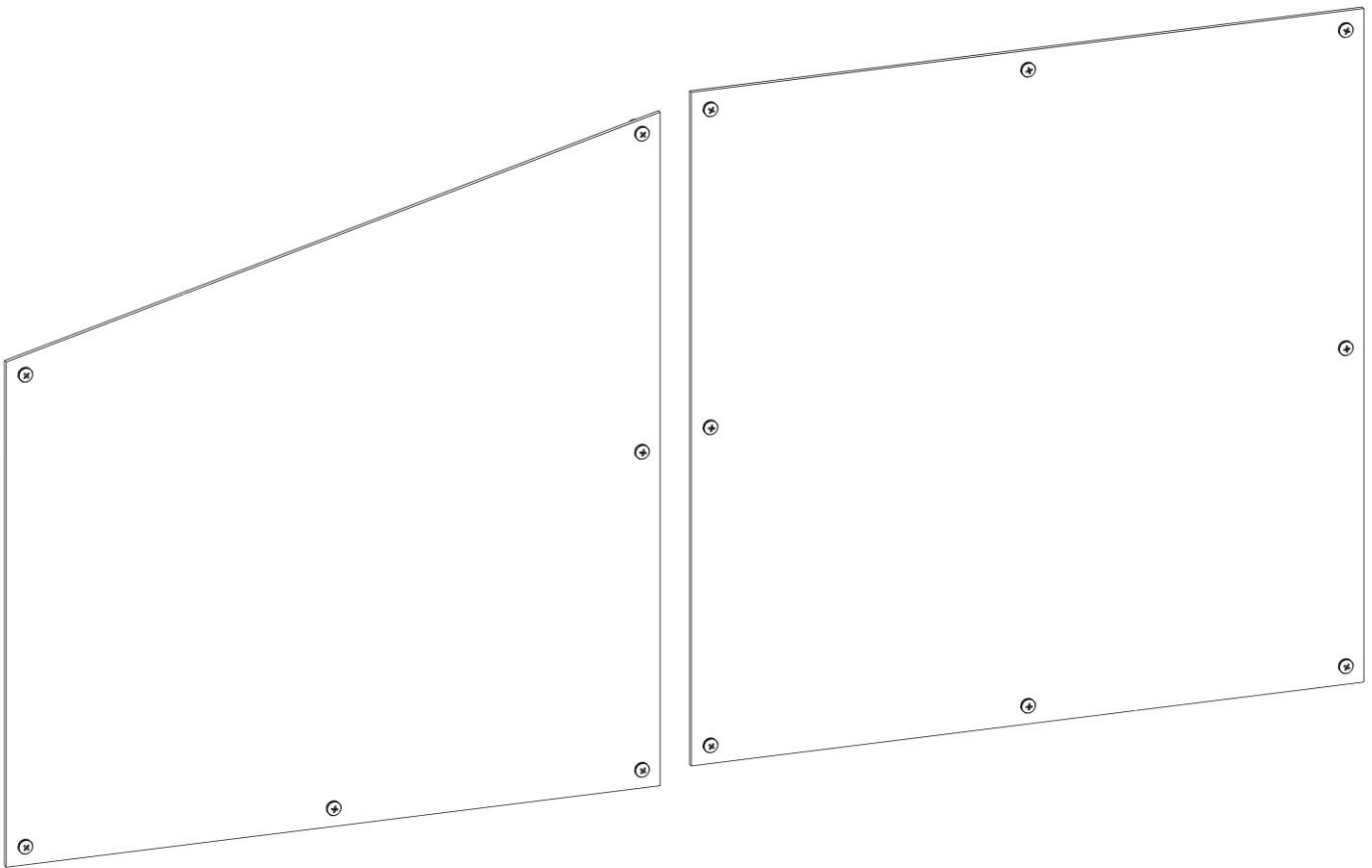
**WE PUT EVERYTHING WITHIN REACH.**

---

# Instruction Guide

## 40644

---



---

Kargo Master  
Rancho Cordova, CA 95742  
800-343-7486  
CustomerService@KargoMaster.com

---

**\*PLEASE READ ALL INSTRUCTIONS AND WARNINGS PRIOR TO ASSEMBLING,  
INSTALLING, AND USING THIS PRODUCT.\***

---

**Warning**



Always check for electrical wires, fuel tanks and lines, brake lines and other important vehicle functionality items prior installing any product.

---

**Tools Needed**

#2 Phillips Head Screw Driver	5/16" Box Wrench
-------------------------------	------------------

---

**Table of Contents**

Parts List ..... 2

Hardware ..... 2

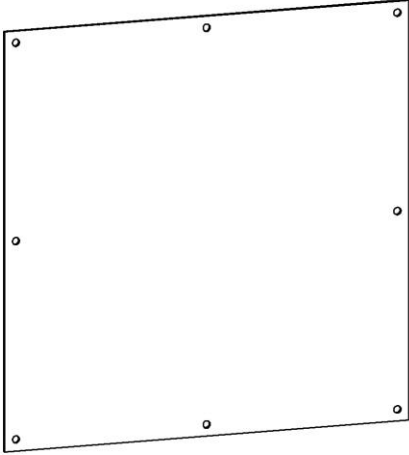
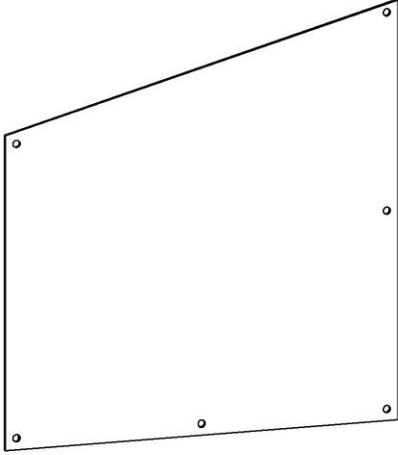
Install Partition Cover ..... 3

---

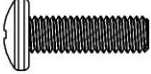

**Before You Begin**

- Read all instructions prior to installing any Kargo Master product.
- Refer to 40640 installation instructions for installing the partition.

**Parts List**

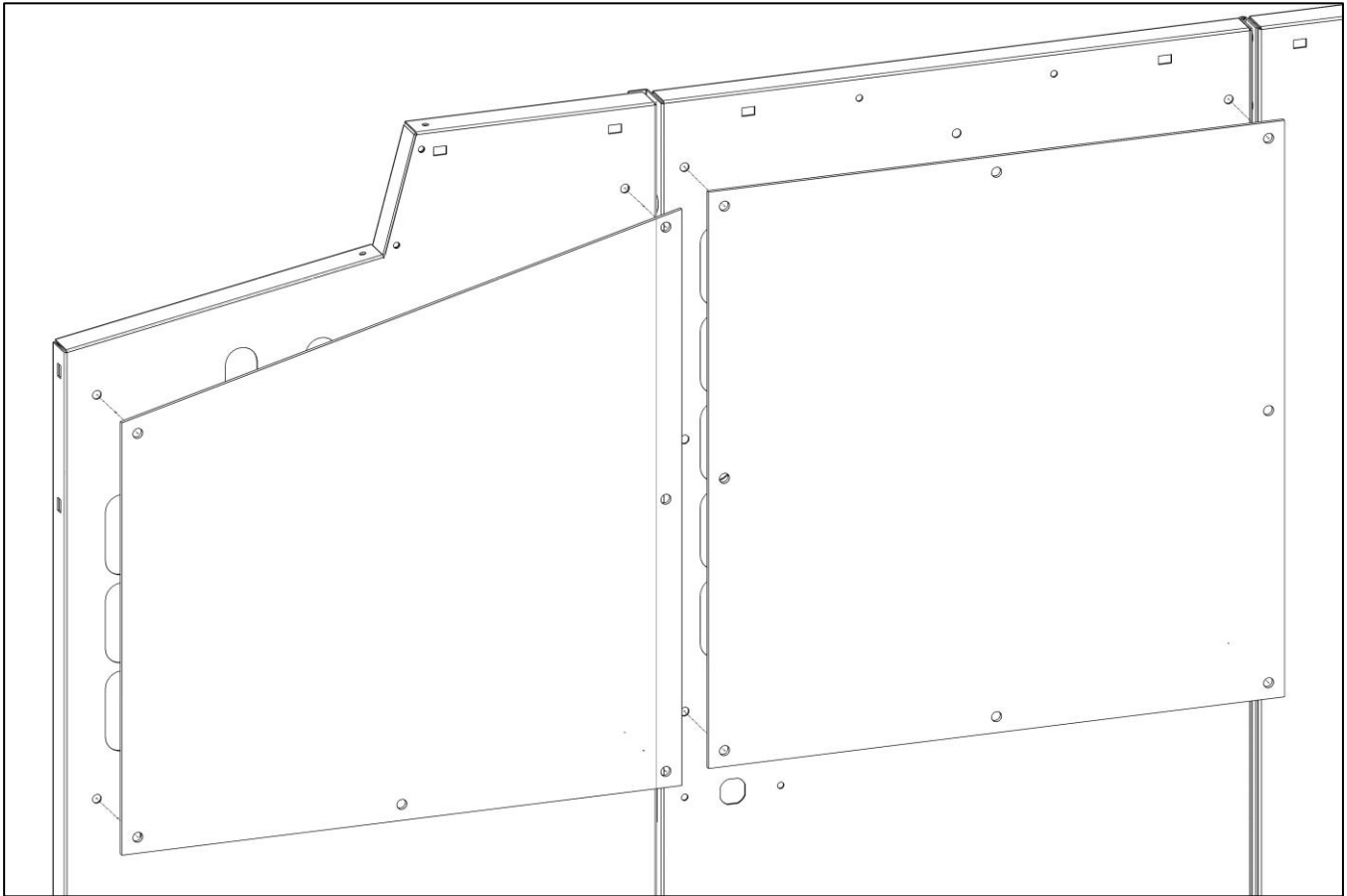
ITEM NO.	ITEM	PART NUMBER	DESCRIPTION	QTY
1		40644-01	TRANSPARENT PERFORATED PARTITION COVER, LARGE	1
2		40644-02	TRANSPARENT PERFORATED PARTITION COVER, SIDE	1
3		18-40644	HARDWARE KIT	1

**Hardware**

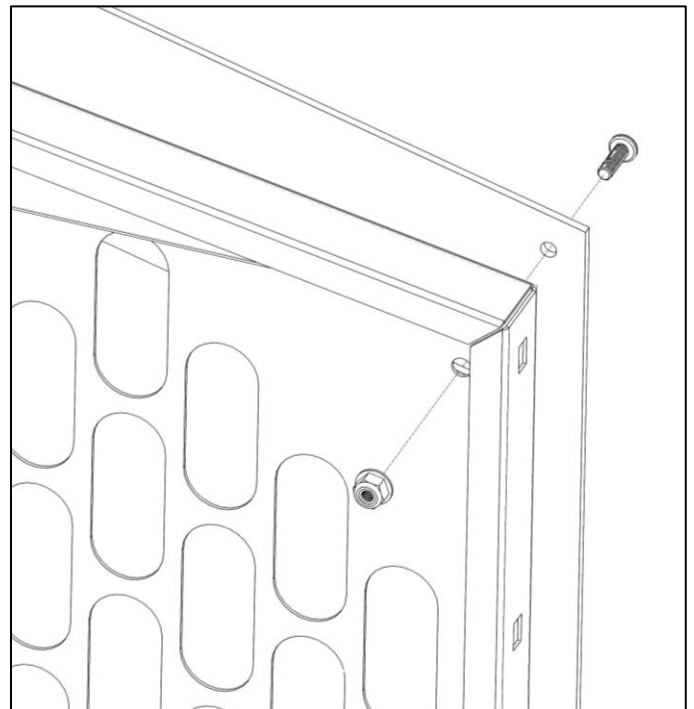
ITEM	HARDWARE TO SCALE	PART NUMBER	DESCRIPTION	QTY.
1		0149499	10-32 X 5/8" PHILLIPS HEAD SCREW	14
2		0166996	10-32 FLANGED LOCK NUT	14

## Install Partition Cover

- Hold partition cover firmly against front of partition with holes in partition cover aligned with holes in partition and the foam seal towards partition. Front of partition is opposite the flanged side.



- For each hole in the partition cover, loosely attach the partition cover to the partition using a #10 x 5/8" screw and a #10 lock nut.
- **DO NOT TIGHTEN** screws until all screws have been loosely installed.
- Tighten all screws.



**ASSEMBLY IS COMPLETE**