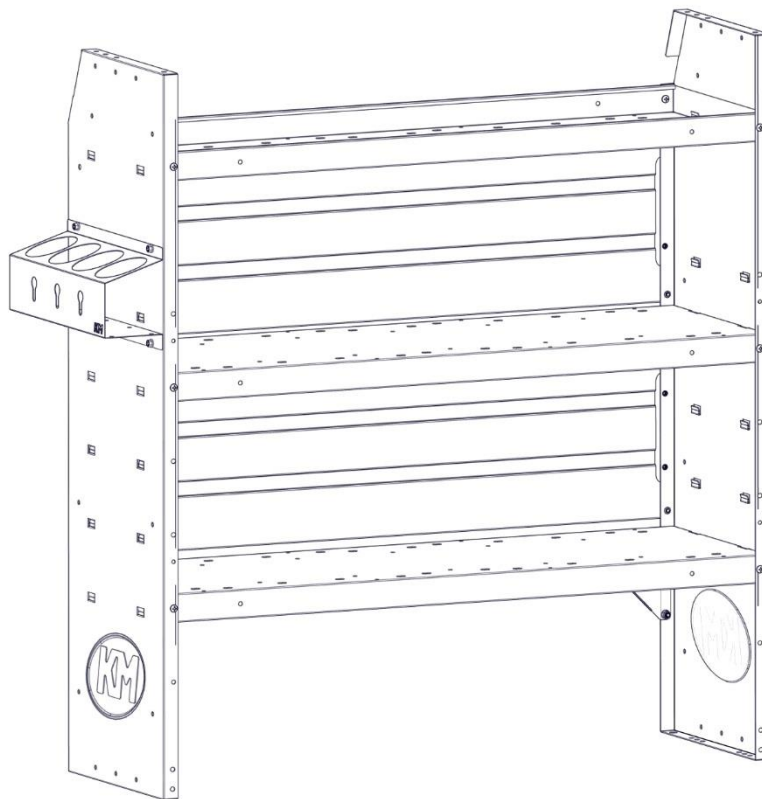




WE PUT EVERYTHING WITHIN REACH.

Installation Guide

40474



Kargo Master
Rancho Cordova, CA 95742
800-343-7486
CustomerService@KargoMaster.com

DATE: _____

***PLEASE READ ALL INSTRUCTIONS AND WARNINGS PRIOR TO ASSEMBLING,
INSTALLING, AND USING THIS PRODUCT***

Warning



Always check for wires, fuel tanks and lines, brake lines and other important vehicle functionality items prior to drilling and installing all products.

Tools Needed

3/8" Allen Hex	7/16" Wrench and Socket
1/4" Drill (optional)	

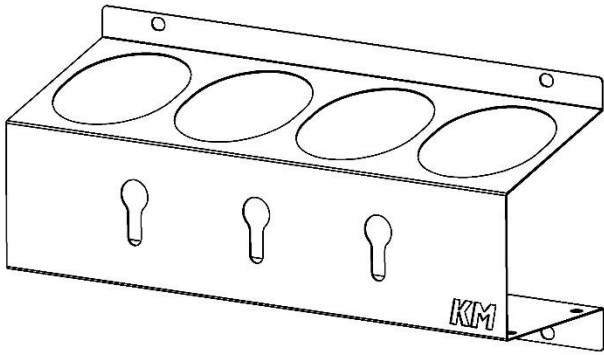
Table of Contents

Parts List	2
Hardware List	2
Step 1 Find Location	2
Step 2 Attach	3

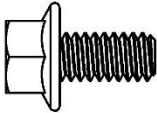

Before You Begin

- Read all instructions.
 - ENSURE SAFETY PRIOR TO DRILLING.
 - Product can be installed on virtually any sheet metal product.
-

Parts

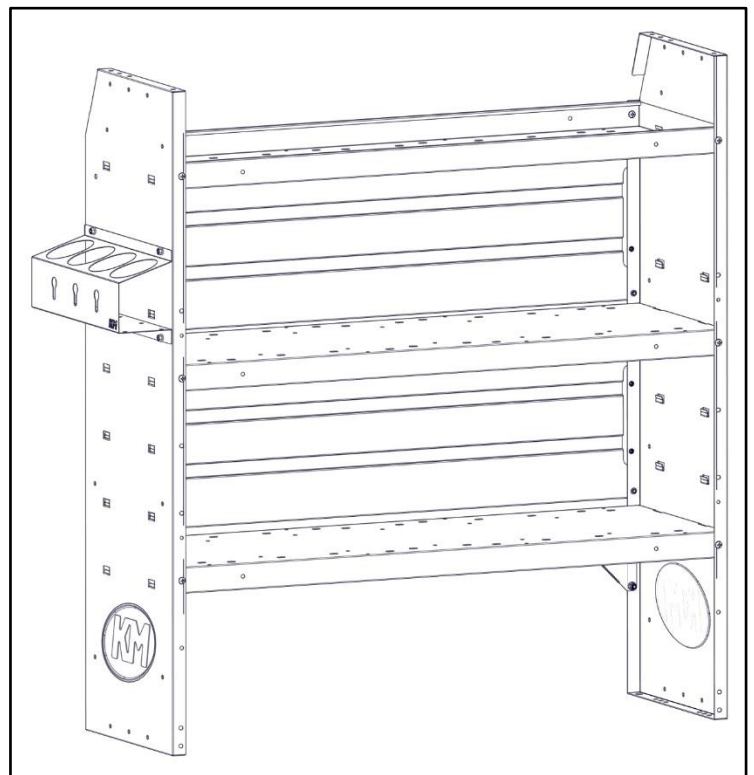
ITEM NO.		PART NUMBER	DESCRIPTION	QTY.
A		40474-00-001	RACK, RATTLE CAN, 4 POSITION	1
		18-40474	4-Can Holder Hardware	1

Hardware

ITEM NO.	TO SCALE	PART NUMBER	DESCRIPTION	QTY.
1		92979A110	1/4"-20 x 1/2" Flanged HH	4
2		93298A110	1/4"-20 Flanged Nyloc	4

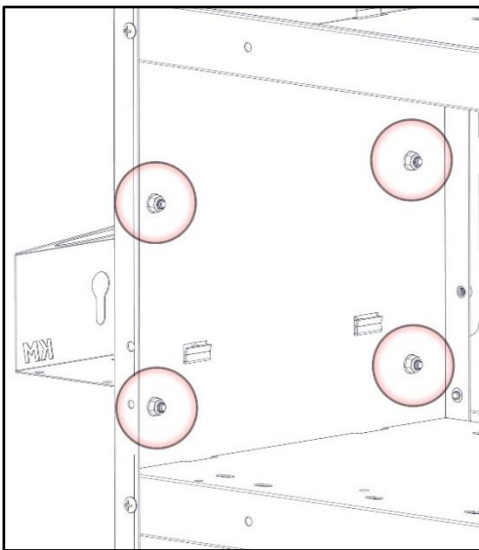
Step 1 – Find Location

- Find desired location for can holder to be installed.
- On the side of most KargoMaster shelf units, holes can be found that correspond with holes from the can holder.
- Place can holder (A) in desired location, if holes do **NOT** align, mark hole locations and drill with 1/4" drill.



Step 2 – Attach

- Attach can holder (A) using a 1/4" x 1/2" flanged hex head bolts (1) and 1/4" flanged nyloc nuts (2).



- Repeat for all 4 locations as shown.

Ensure all bolts are tight. Your Installation is now complete.

