



**WE PUT EVERYTHING WITHIN REACH.**

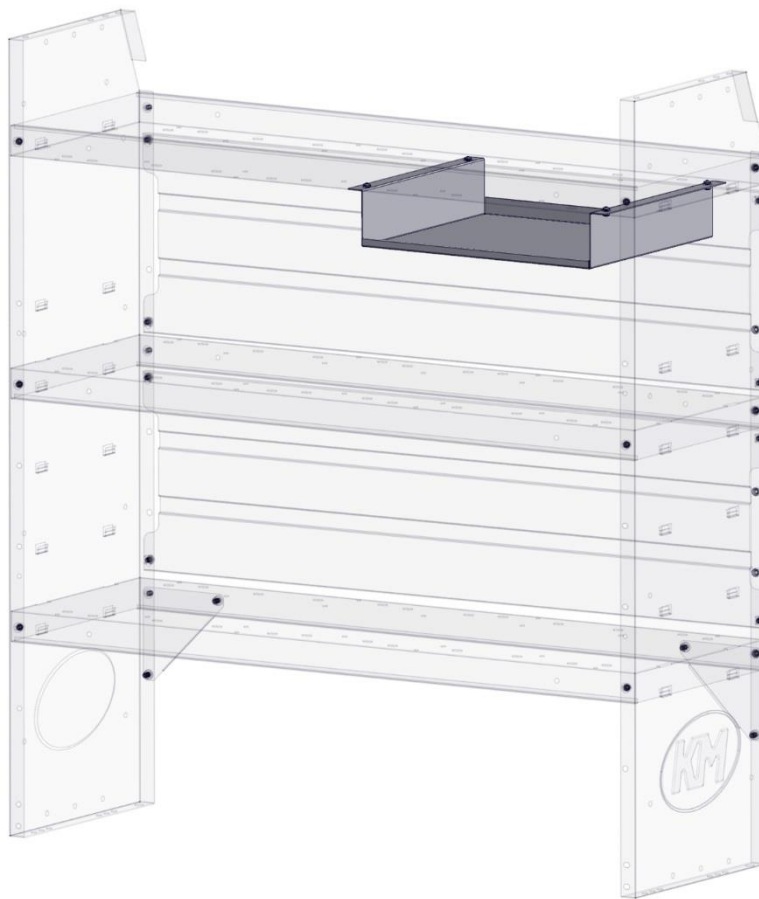
---

# Installation Guide

---

## 40390

---



---

Kargo Master  
Rancho Cordova, CA 95742  
800-343-7486  
CustomerService@KargoMaster.com

---

DATE: \_\_\_\_\_

---

**\*PLEASE READ ALL INSTRUCTIONS AND WARNINGS PRIOR TO ASSEMBLING,  
INSTALLING, AND USING THIS PRODUCT\***

---

**Warning**



Always check for wires, fuel tanks and lines, brake lines and other important vehicle functionality items prior to drilling and installing all products.

---

**Tools Needed**

Phillips Driver	3/8" Wrench and Socket
1/4" Drill Bit (optional)	

---

**Table of Contents**

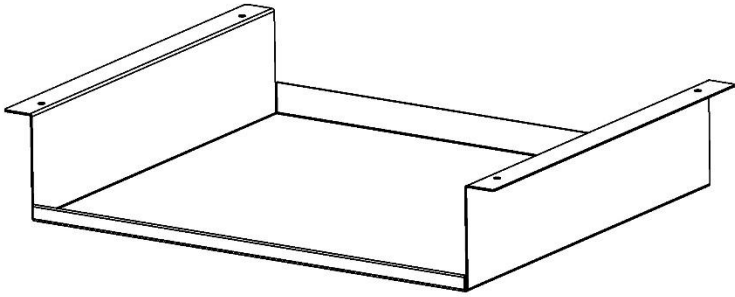
Parts List ..... 2  
Hardware List ..... 2  
Step 1 Establish Location ..... 3  
Step 2 Install File Holder ..... 3

---

**Before You Begin**

- Read all instructions.
  - Have partition or shelf unit ready to install tote holder.
  - ENSURE SAFETY BEFORE DRILLING OR CUTTING
-

Parts

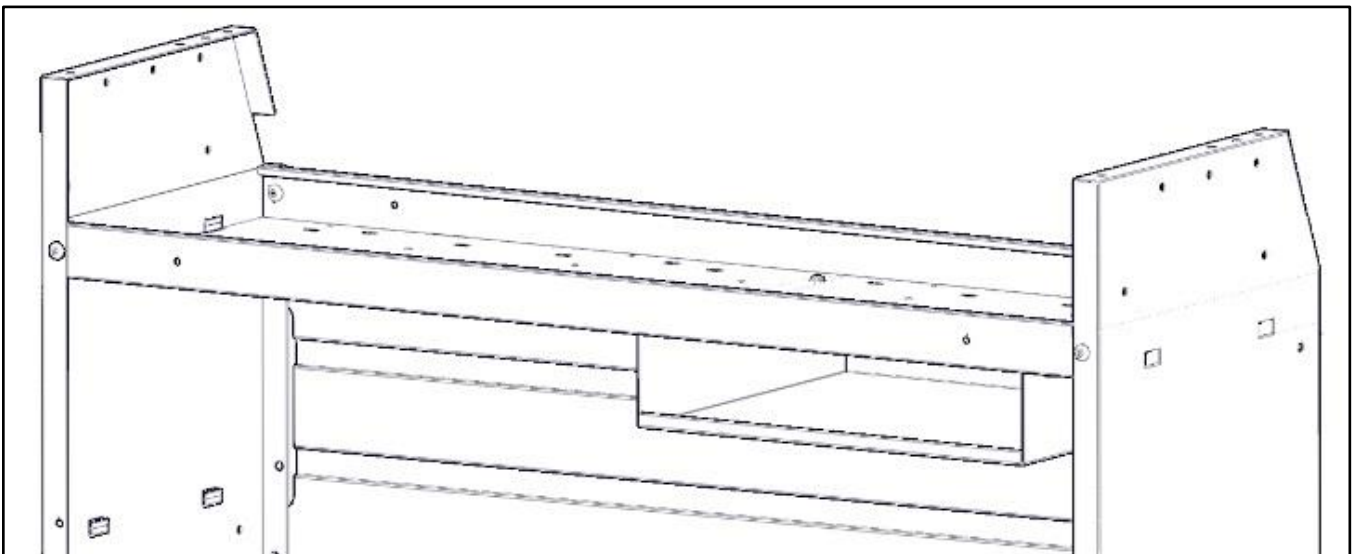
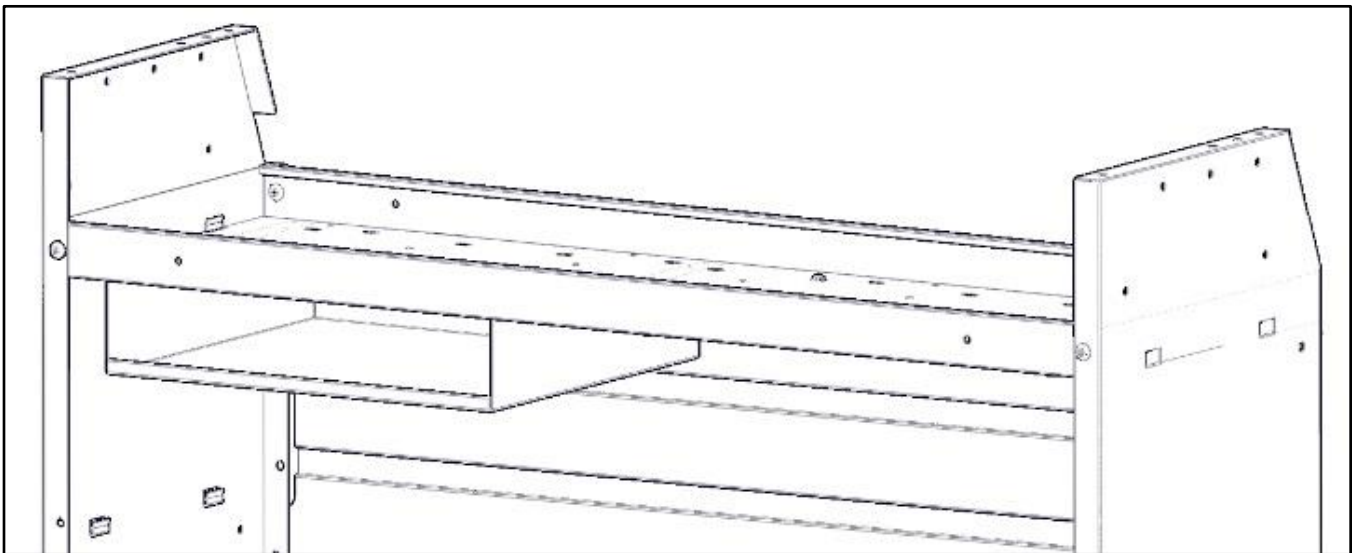
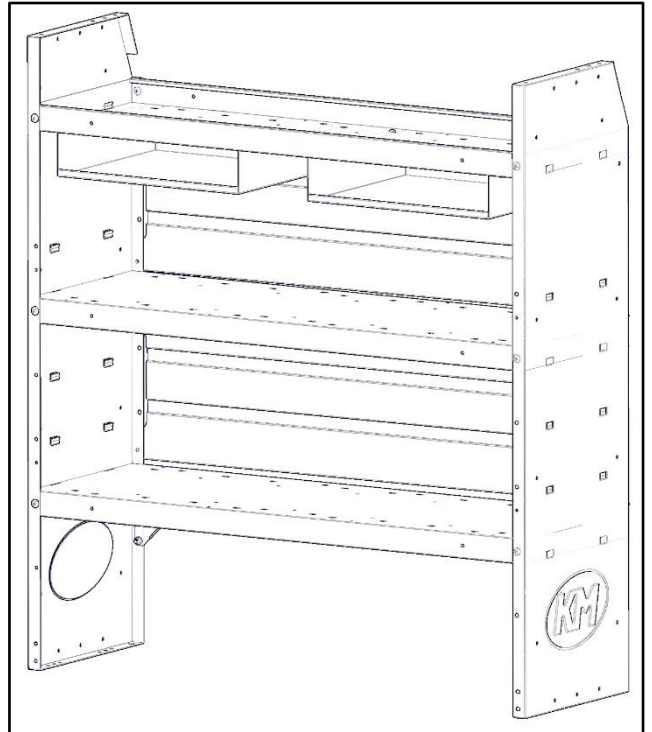
ITEM NO.		PART NUMBER	DESCRIPTION	QTY.
A		40390-00-001	KM9095-101	1
		18-40390	Bolt Kit- Hanging Tote Holder	1

Hardware

ITEM NO.	TO SCALE	DESCRIPTION	PART NUMBER	QTY.
1		10-32x.375 Pan Head	90272A827	4
2		#10 FLAT WASHER	90107A011	4
3		10-32 Flanged Nyloc Nut	93298A109	4

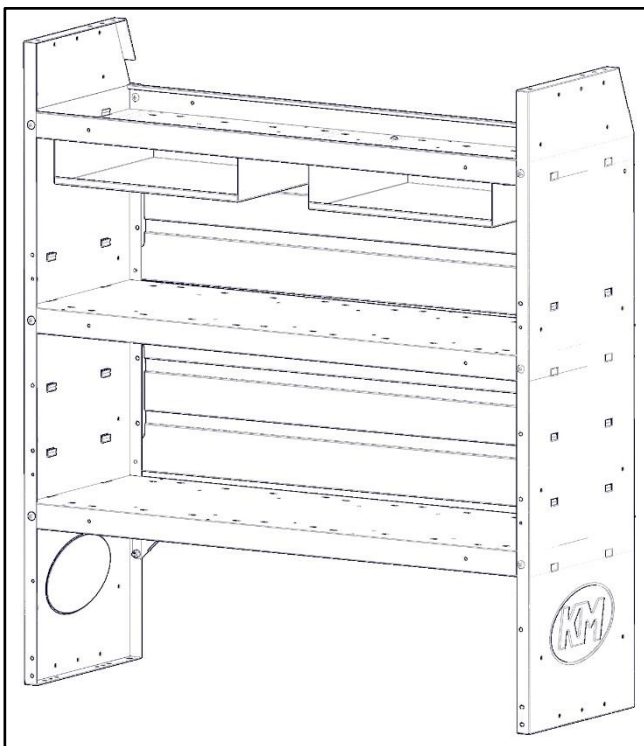
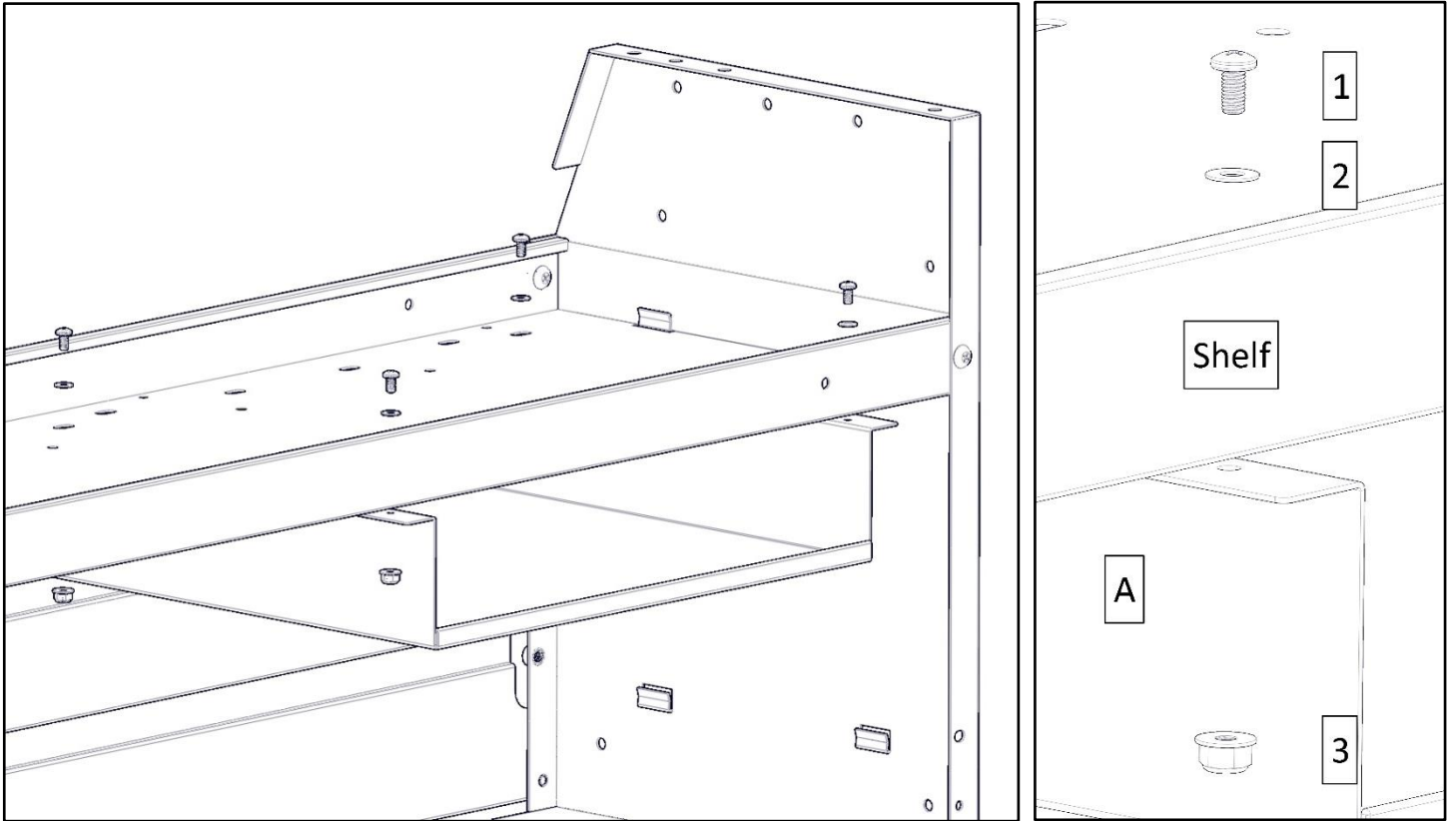
## Step 1 – Find Location

- Position hanging tote holder (A) in desired location for mounting.
- The shelf must be positioned with the shelf flange facing upwards. (as top shelf is shown)
- Use existing holes, or if a different location is desired, mark each hole in all corners for a total of 4x.
- Remove hanging tote holder (A).
- Measure from the reference point to ensure the holes are marked in a square orientation.
- Drill using a 1/4" bit.



## Step 2 – Install Tote Holder

- Place tote holder in desired mounting location.
- Bolt using a #10-32 x .375 pan head (1), a #10 washer (2) and a flanged #10-32 nyloc (3)
- Repeat 4x.
- TIGHTEN



Square and align to your liking.  
Tighten all bolts from previous steps.  
Your installation is now complete.