



**WE PUT EVERYTHING WITHIN REACH.**

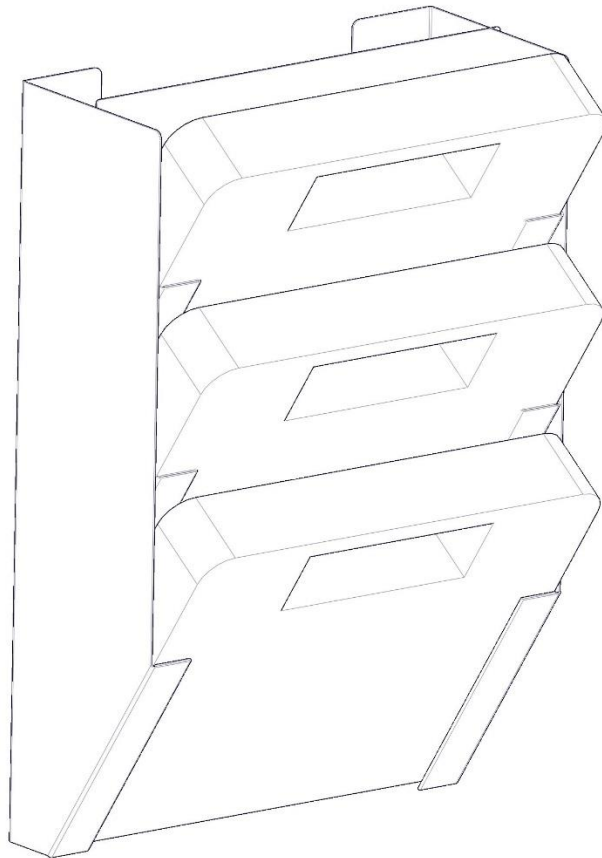
---

# Installation Guide

---

## 40370

---



---

Kargo Master  
Rancho Cordova, CA 95742  
800-343-7486  
CustomerService@KargoMaster.com

---

DATE: \_\_\_\_\_

---

**\*PLEASE READ ALL INSTRUCTIONS AND WARNINGS PRIOR TO ASSEMBLING,  
INSTALLING, AND USING THIS PRODUCT\***

---

**Warning**



Always check for wires, fuel tanks and lines, brake lines and other important vehicle functionality items prior to drilling and installing all products.

---

**Tools Needed**

Phillips driver	1/4" Drill bit (optional)
Drill	

---

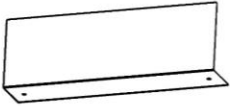
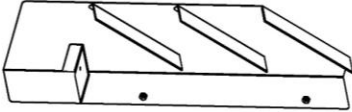
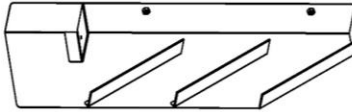
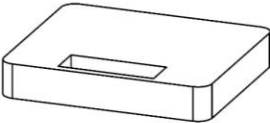
**Table of Contents**


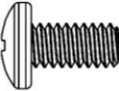
Parts List ..... 2  
Hardware List ..... 3  
Step 1 - Assembly..... 3  
Step 2 - Installation ..... 4  
Step 3 - Optional Installation ..... 4

---

**Before You Begin**

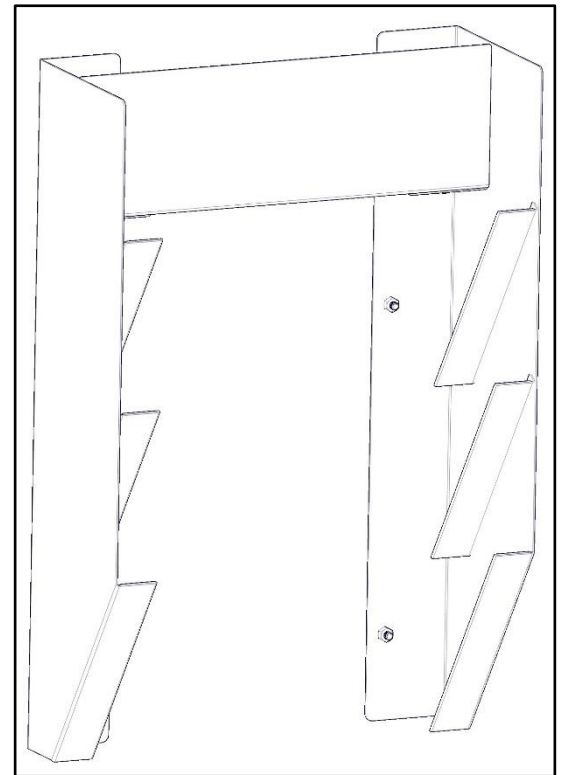
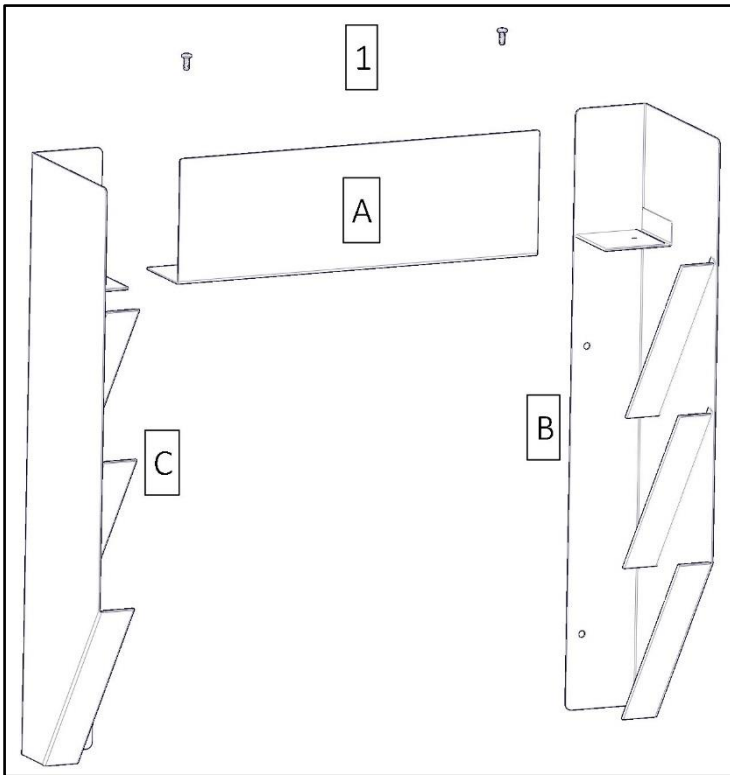
- Read all instructions.
  - Ensure safety when drilling.
-

ITEM NO.	PARTS	PART NUMBER	DESCRIPTION	QTY.
A		KM9083-201	tray	1
B		KM9083-802-R1	One Side	1
C		MirrorKM9083-802	from parent+One Side	1
D		KM40350	Case	3

ITEM NO.	HARDWARE (TO SCALE)	PART NUMBER	DESCRIPTION	QTY.
1		90272A244	#10-24 x0.5 Pan Head Philips Machine Screw	2
2		90272A539	.25-20 x .5 PAN HEAD PHILLIPS MACHINE SCREW	4

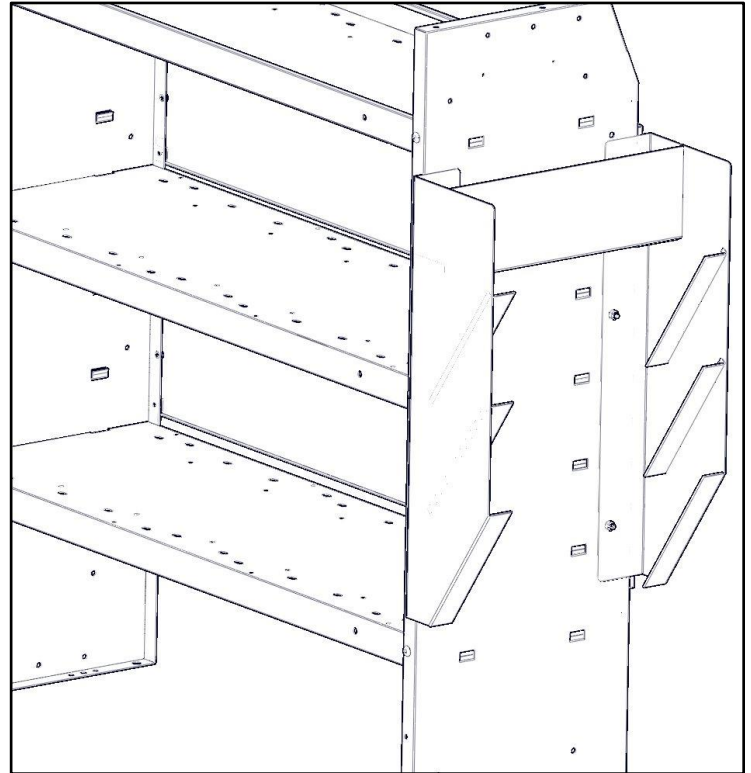
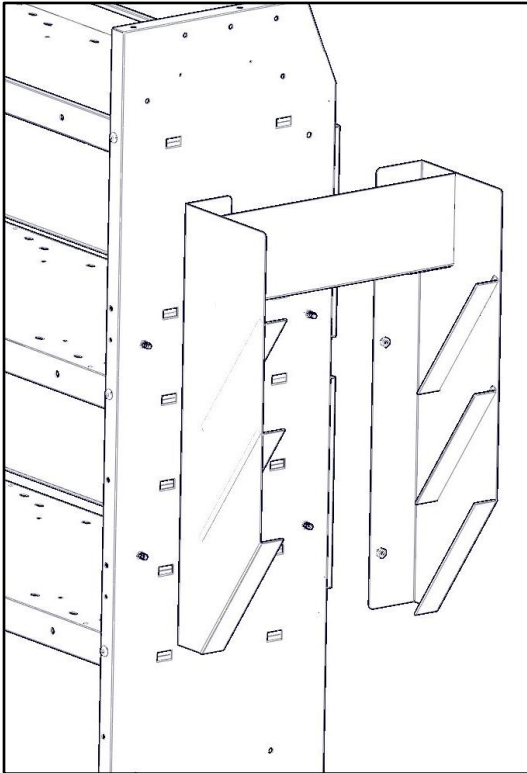
## Step 1 - Assembly

- Bolt all three pieces together as shown below. Repeat 2x.
- Use #10 x .50" Pan head screw (1) to bolt into #10 Nuts.
- Top Tray (A), sits on top of each flange on sides (B&C)



## Step 2 - Installation

- Place previously assembled bin holder onto desired location.
- One can mount this part to multiple different places. These instructions show them being mounted to KargoMaster 46" Shelf unit.
- Bolt through existing holes in shelf side panel using a 1/4" x .50" pan head screw.
- Repeat on all four locations.



## Step 3 – Optional Installation

- If desired, one can move location of where the unit is installed. Place assembly where desired, mark through the four holes.
- Drill through the previously marked holes, Replace assembly and bolt the same way as in step 2.

**GO BACK AND ENSURE ALL HARDWARE IS TIGHT**  
Your installation is now complete.