



**WE PUT EVERYTHING WITHIN REACH.**

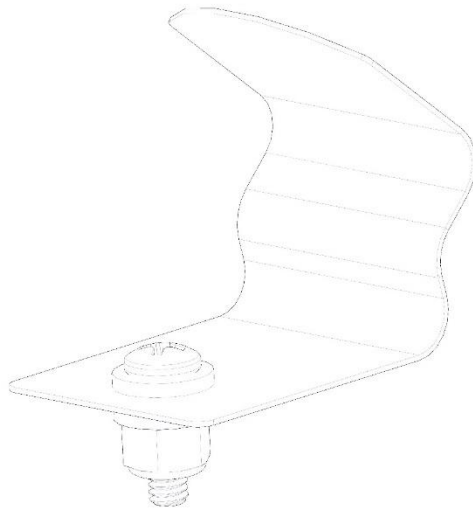
---

# Installation Guide

---

## 40360

---



---

Kargo Master  
Rancho Cordova, CA 95742  
800-343-7486  
CustomerService@KargoMaster.com

---

DATE: \_\_\_\_\_

---

**\*PLEASE READ ALL INSTRUCTIONS AND WARNINGS PRIOR TO ASSEMBLING,  
INSTALLING, AND USING THIS PRODUCT\***

---

**Warning**



Always check for wires, fuel tanks and lines, brake lines and other important vehicle functionality items prior to drilling and installing all products.

---

**Tools Needed**

Phillips Driver	7/16" Wrench and Socket
1/4" Drill Bit	

---

**Table of Contents**

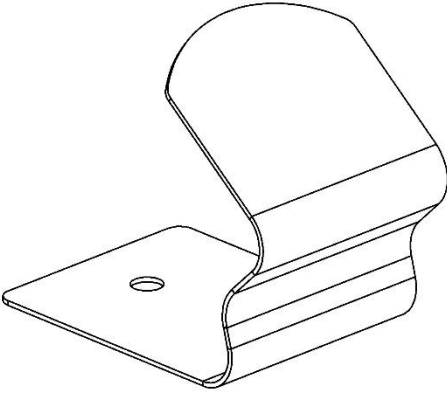
Parts List ..... 2  
Hardware List ..... 2  
Step 1 Find Location ..... 3  
Step 2 Install Tote Clip ..... 3

---

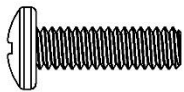
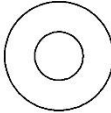
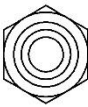
**Before You Begin**

- Read all instructions.
- Have shelf unit ready to install tote clip.
- Tote can be installed in the vertical or the horizontal position.
- ENSURE SAFETY BEFORE DRILLING OR CUTTING

Parts

ITEM NO.		PART NUMBER	DESCRIPTION	QTY.
A		40360-00-002	Clip	1
		18-40360	Hardware Kit	1

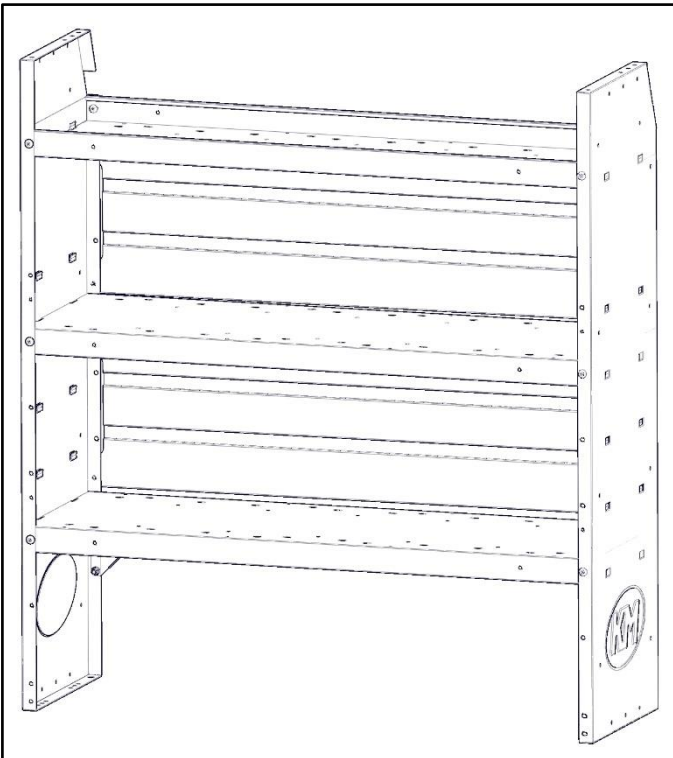
Hardware

ITEM NO.	TO SCALE	DESCRIPTION	PART NUMBER	QTY.
1		No12-24 x .75 Phillips Round Head	90272A294	1
2		No12 Flat Washer	90126A013	2
3		No12-24 Nyloc	90631A120	1

## Step 1 – Find Location

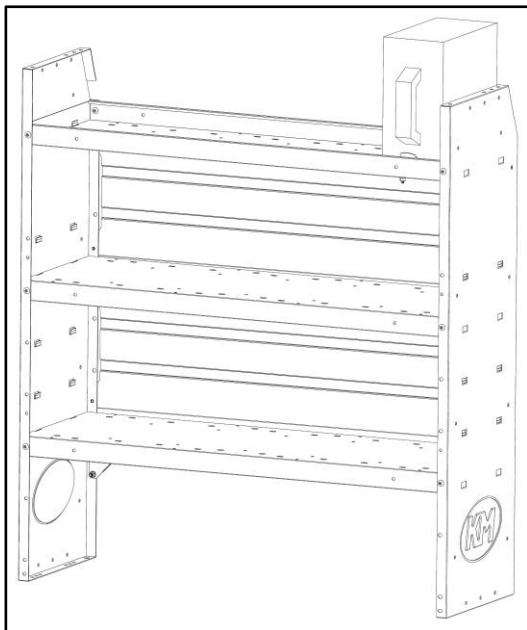
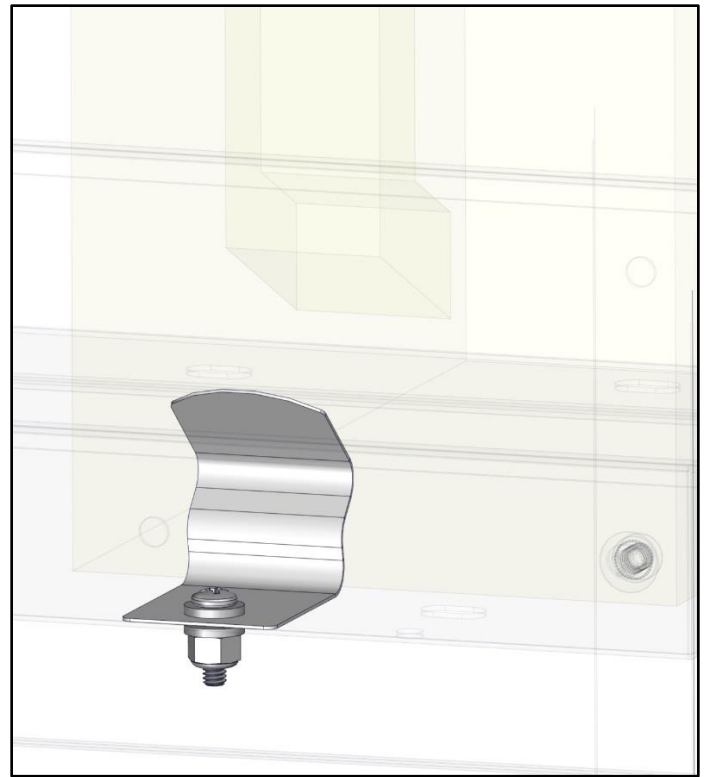
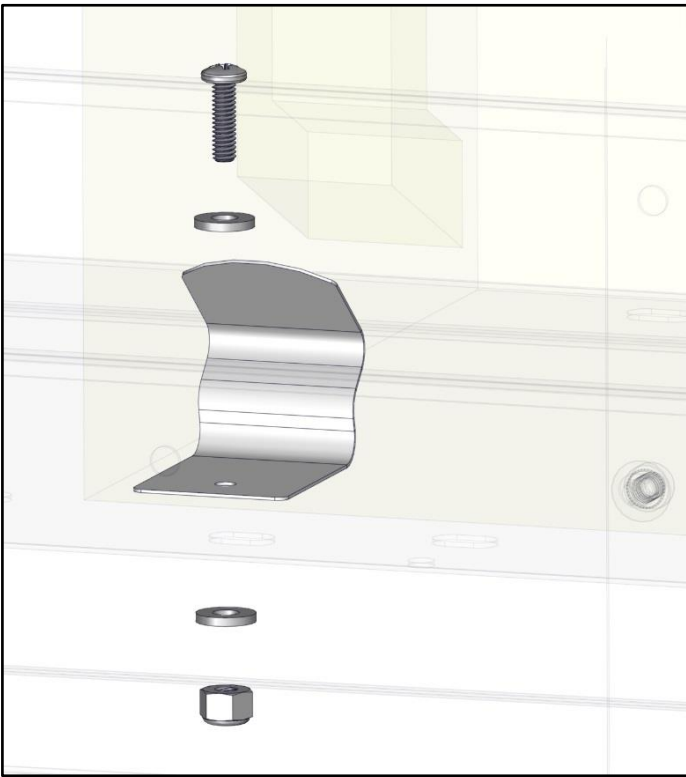
- Position tote in desired location for mounting.
- The shelf must be positioned with the shelf flange facing upwards. (as top shelf is shown)
- Place tote clip in desired location with reference to the tote.
- Mark hole through the clip onto shelf.
- Remove tote and clip (A).
- Drill using a 1/4" bit.

\*Tote can be positioned in the horizontal or vertical position. (vertical is shown)\*

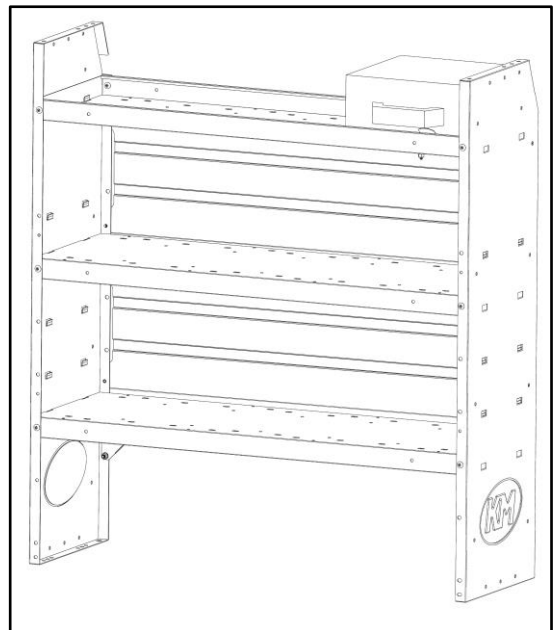


## Step 2 – Install Tote Clip

- Place clip where previous hole was drilled.
- Bolt using a #12-24 x .75 round head (1), a #12 washer (2) and a flanged #12-24 nyloc (3)
- TIGHTEN



Vertical



Horizontal

Square and align to your liking.  
Tighten all bolts from previous steps.  
Your installation is now complete.