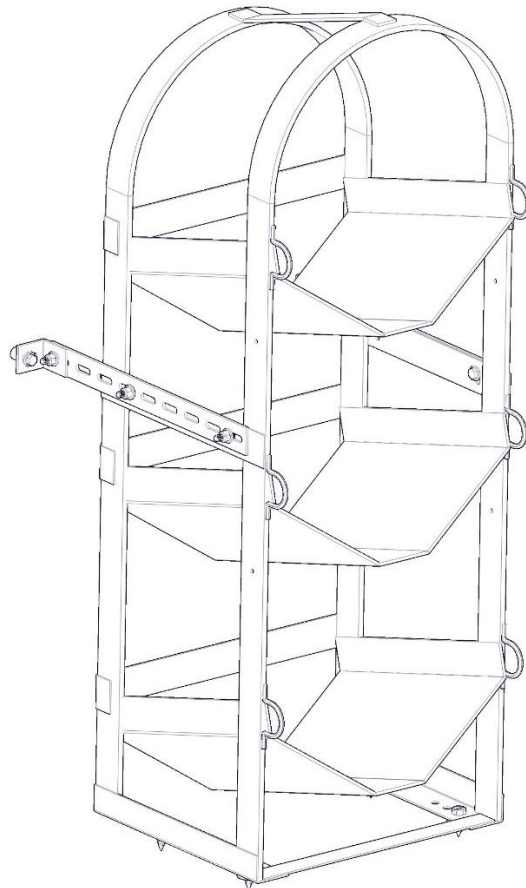




WE PUT EVERYTHING WITHIN REACH.

Installation Guide

40200



Kargo Master
Rancho Cordova, CA 95742
800-343-7486
CustomerService@KargoMaster.com

DATE: _____

***PLEASE READ ALL INSTRUCTIONS AND WARNINGS PRIOR TO ASSEMBLING,
INSTALLING, AND USING THIS PRODUCT***

Warning



Always check for wires, fuel tanks and lines, brake lines and other important vehicle functionality items prior to drilling and installing all products.

Tools Needed

7/16" Socket and Wrench	1/2" Socket and Wrench
1/4" Drill (optional)	25/64" Drill (optional)

Table of Contents

Parts List 2

Hardware List 3

Step 1 – Find Mount Location 4

Step 2 – Configure Mount Brackets 4

Step 3 – Mount Strap to Assembly 5

Step 4 – Prepare Vehicle 5

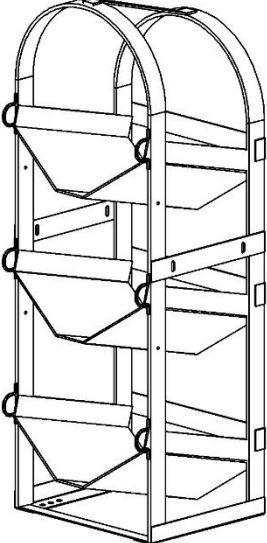

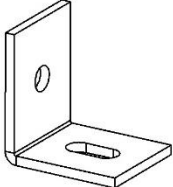
 Step 4a – Shelf Mount 6

Step 5 – Floor Mount 6

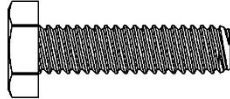
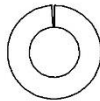
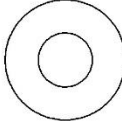

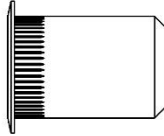
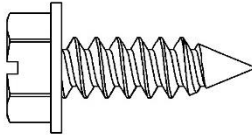
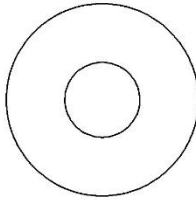
Before You Begin

- Read all instructions.
- Ensure safety when drilling into shelf, or screwing into floor.
- In some situations, not all mounting locations will be used. Use your best judgment to ensure the tank rack is secured properly.

Parts

ITEM NO.		PART NUMBER	DESCRIPTION	QTY.
A		40200-10	3 Tier Assembly	1
B		40200-00-001	Strap	2
C		40200-00-002	Angle	2

Hardware

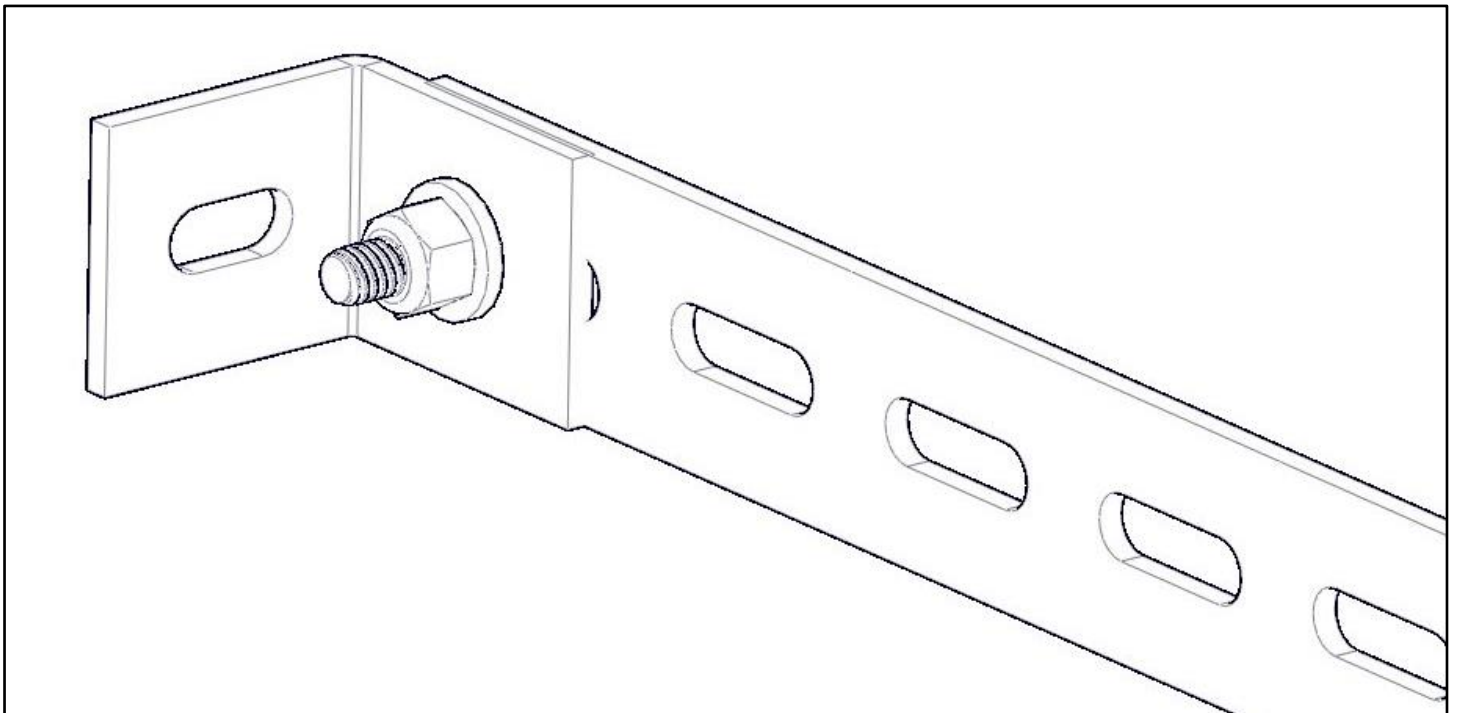
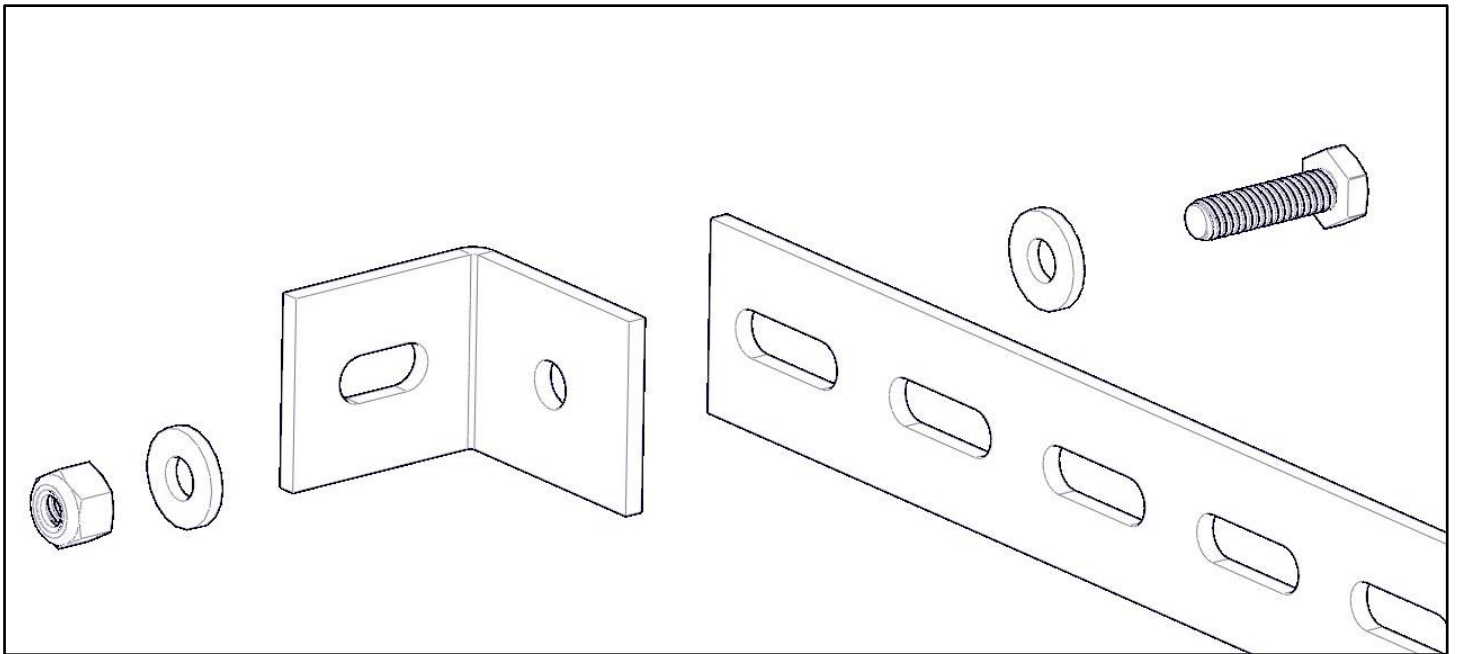
ITEM NO.	TO SCALE	PART NUMBER	DESCRIPTION	QTY.
1		.25-20 x 1.0 HH	.25-20 x 1.0 HH	8
2		91102A750	.25 Split Lock Washer	2
3		90126A029	.25 Flat Washer	14
4		.25-20 Nyloc Nut	.25-20 Nyloc Nut	6
5		93669A230	.25-20 Riv Nut	4
6		90054A415	.312-20 x 1.0 HH Sheet Metal Screw (Sharp Point)	4
7		.375 x 1.0 Nylon Spacer	.375 x 1.0 Nylon Spacer	2
8		Strap	Strap	3

Step 1 – Find Mount Location

- Determine location of where the 3 Tier Tank rack will be placed.
- If placing next to a shelf, the mount brackets (B&C) will not be needed. See Step 4a.

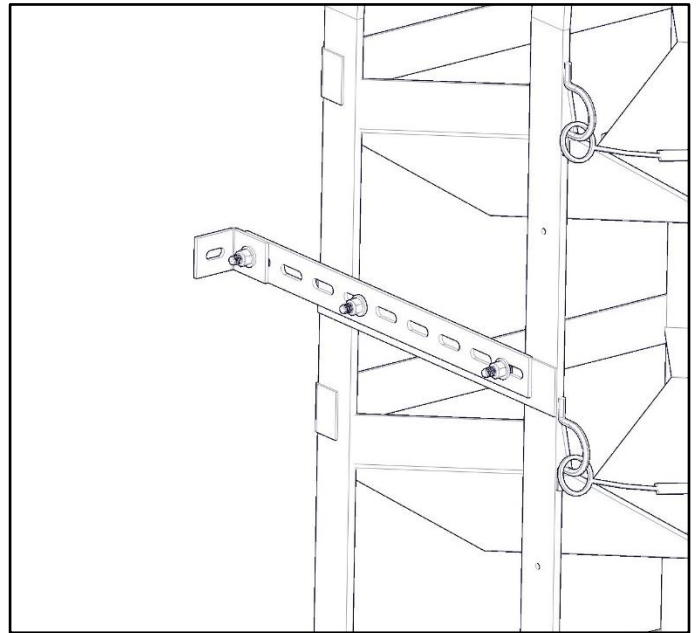
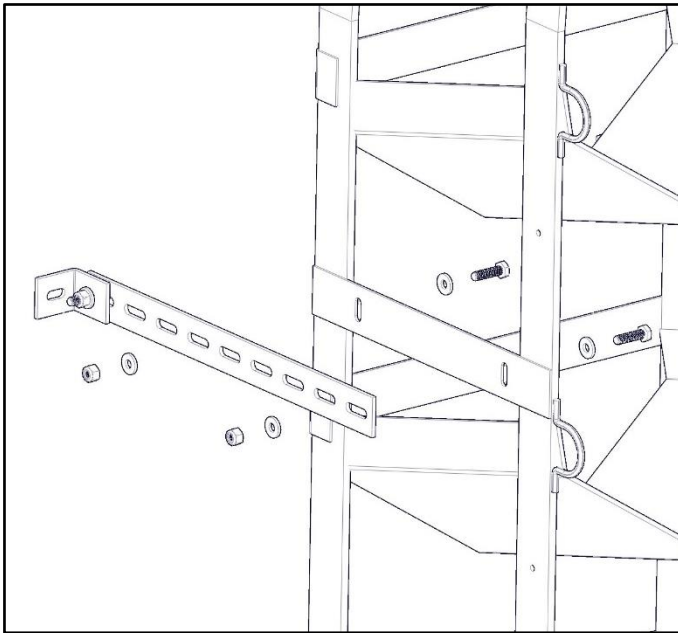
Step 2 – Configure mount brackets

- Configure mount brackets (B&C) in a way so that the 3 tier assembly can be fastened to the van.
- Mount angle bracket (C) to strap bracket (B) using a 1/4" x 1" HEX bolt, two 1/4" flat washers and a 1/4" nyloc.
- Snug Tighten, but allow movement between brackets.



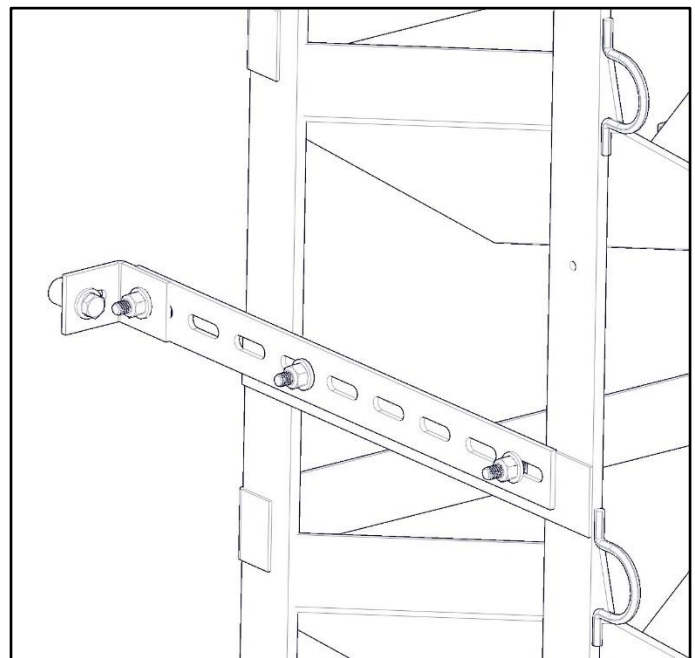
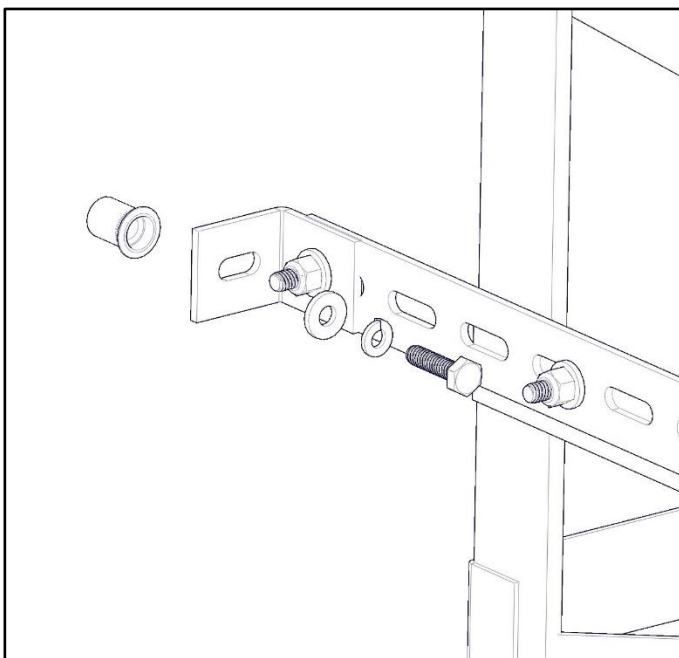
Step 3 –Mount Strap to Assembly

- Configure brackets in order to mount against support on wall of van.
- In some circumstances, strap (B) will only attach to assembly (A) in one location.



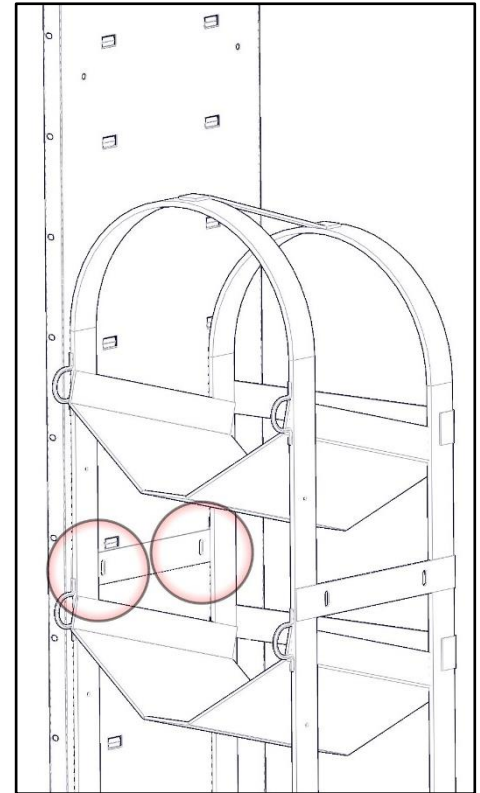
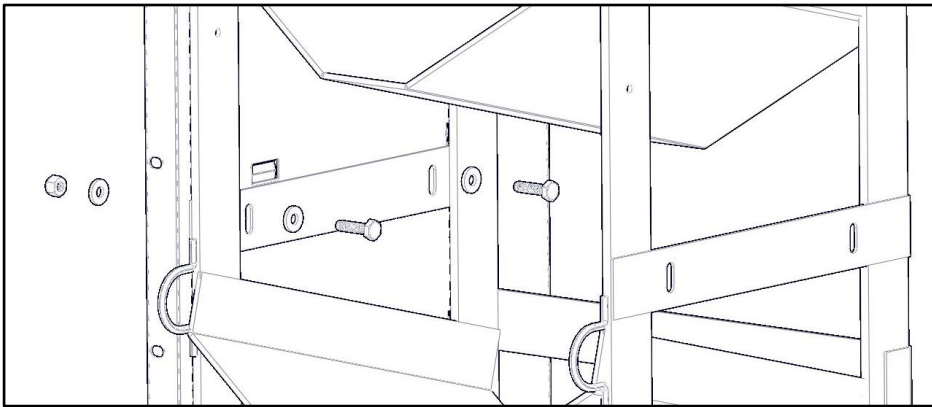
Step 4 –Prepare vehicle

- Mark location where angle bracket comes into contact with the support on the van wall.
- Drill with a 25/64" bit. Use a drill stop to avoid causing damage.
- Install plusnut.
- Bolt angle mount bracket (C) to previously installed plusnut using a 1/4" x 1" hex bolt, a 1/4" lock washer and a 1/4" flat washer



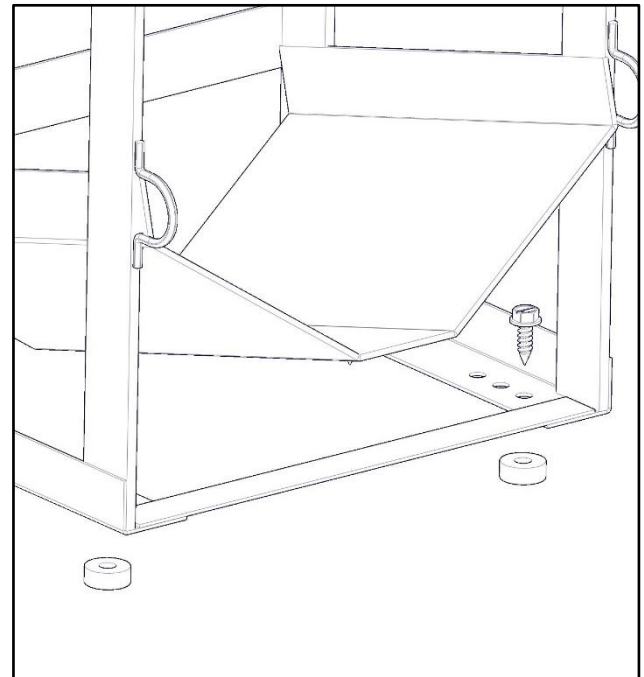
Step 4a –Shelf Mounting

- If mounting next to a shelf, place assembly firmly against shelf side.
- Mark mount locations onto shelf side. Drill these locations using a minimum 1/4" drill.
- Mount through the mount holes in the assembly, through the shelf side using a 1/4" x 1" hex bolt, two 1/4" flat washers and a 1/4" nyloc.



Step 5 –Floor Mount

- Check below tank rack to ensure safety to mount self drilling screw.
- Mount tank rack to floor using four 5/16" x 1" hex screws (6).
- If needed, place nylon spacer (7) below tank rack to ensure a flat mounting area.



GO BACK AND ENSURE ALL HARDWARE IS TIGHT
Your installation is now complete.