



**WE PUT EVERYTHING WITHIN REACH.**

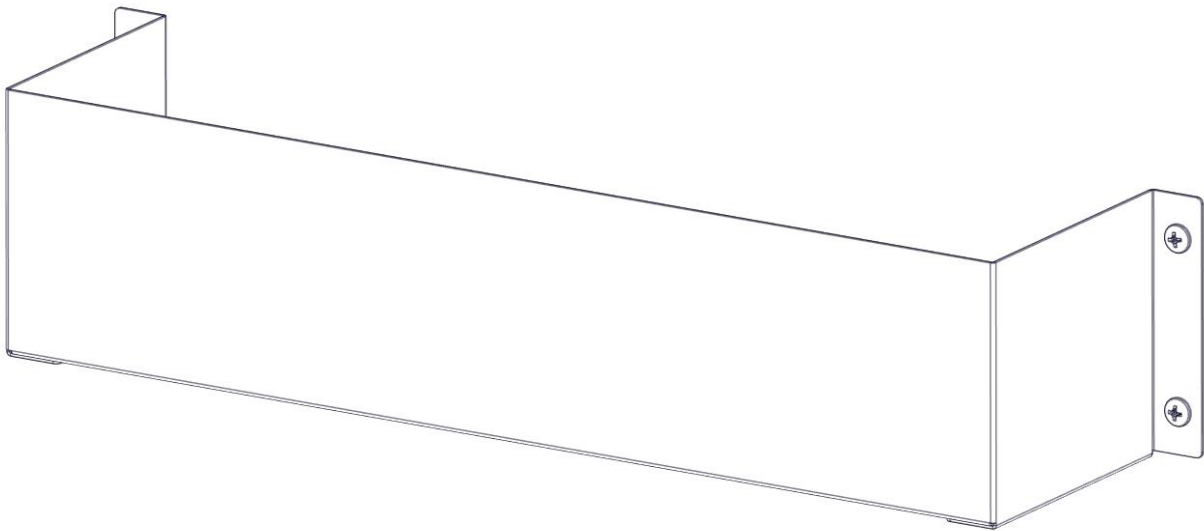
---

# Installation Guide

---

## 40160

---



---

Kargo Master  
Rancho Cordova, CA 95742  
800-343-7486  
CustomerService@KargoMaster.com

---

DATE: \_\_\_\_\_

---

**\*PLEASE READ ALL INSTRUCTIONS AND WARNINGS PRIOR TO ASSEMBLING,  
INSTALLING, AND USING THIS PRODUCT\***

---

**Warning**



Always check for wires, fuel tanks and lines, brake lines and other important vehicle functionality items prior to drilling and installing all products.

---

**Tools Needed**

Phillips Driver	3/8" Wrench and Socket
1/4" Drill Bit	

---

**Table of Contents**

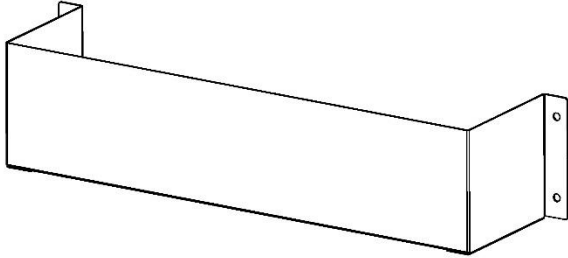
Parts List ..... 2  
Hardware List ..... 2  
Step 1 Find Location, Drill Holes ..... 3  
Step 2 Install Reflector Holder ..... 3

---

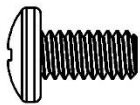

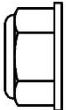

**Before You Begin**

- Read all instructions.
  - Have partition installed and ready for reflector holder.
  - ENSURE SAFETY BEFORE DRILLING OR CUTTING
-

Parts

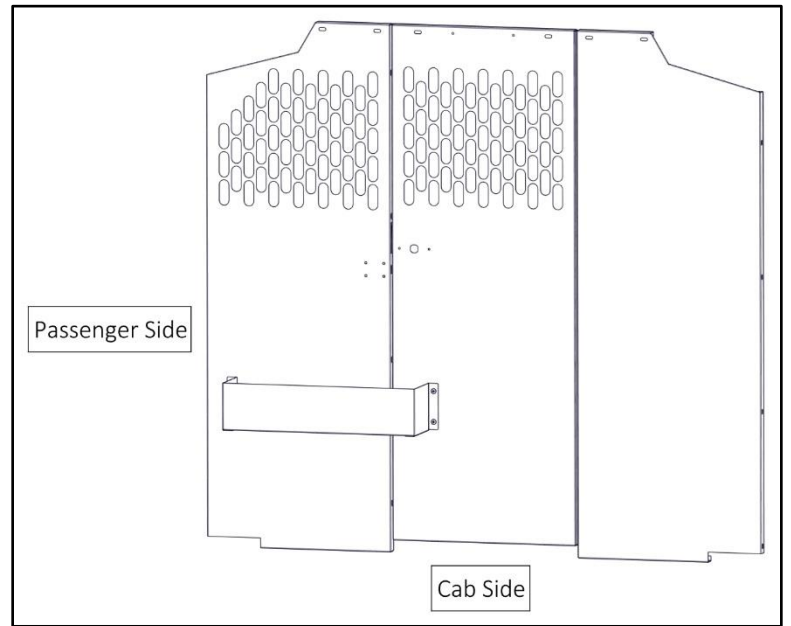
ITEM NO.		PART NUMBER	DESCRIPTION	QTY.
A		40160-00-001	Reflector Holder-Horizontal	1
		18-40160	Reflector Holder-Hardware	1

Hardware

ITEM NO.	TO SCALE	PART NUMBER	DESCRIPTION	QTY.
1	 	90272A537	1/4"-20 x 1/2" Phillips Pan Head Screw	4
2	 	93298A110	1/4"-20 Flanged Nyloc	4

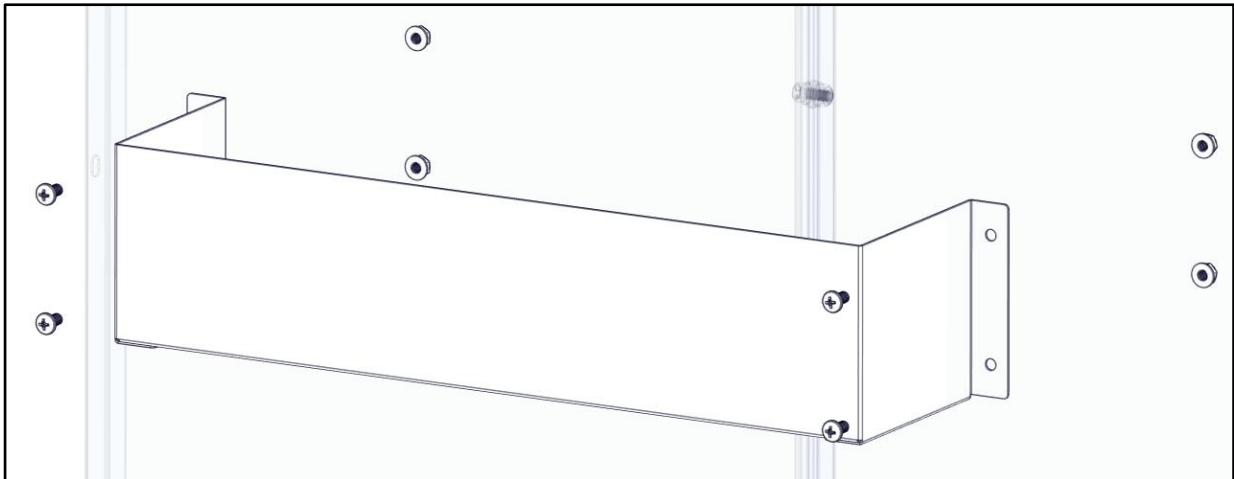
## Step 1 – Find Location, Drill Holes

- Position reflector holder (A) in desired location for mounting.
- Press firmly against partition unit. The holder must go on the inside of the cab area.
- A sample location is shown. Find most convenient location for your needs.
- Mark hole in each corner for a total of 4x.
- Remove reflector holder (A).
- Measure from a reference point to ensure the holes are marked in a square orientation.
- Drill using a 1/4" bit.



## Step 2 – Install Reflector Holder

- Place reflector holder over previously drilled holes.
- Bolt using a 1/4" x 1/2" pan head (1) and a 1/4" flanged nyloc (2)
- TIGHTEN



Square and align to your liking.  
Tighten all bolts from previous steps.  
Your installation is now complete.

