



**WE PUT EVERYTHING WITHIN REACH.**

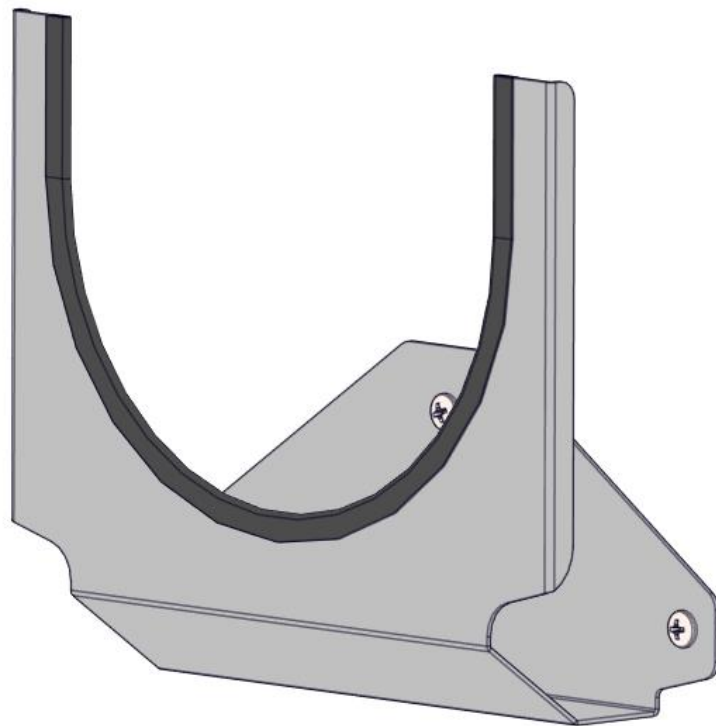
---

# Installation Guide

---

## 40131

---



---

Kargo Master  
Rancho Cordova, CA 95742  
800-343-7486  
CustomerService@KargoMaster.com

---

DATE: \_\_\_\_\_

\*PLEASE READ ALL INSTRUCTIONS AND WARNINGS PRIOR TO ASSEMBLING,  
INSTALLING, AND USING THIS PRODUCT\*

**Warning**



Always check for wires, fuel tanks and lines, brake lines and other important vehicle functionality items prior to drilling and installing all products.

**Tools Needed**

7/16" Socket and Wrench	Phillips Driver
1/4" Drill	

**Table of Contents**

Parts List .....2

Assembly Hardware .....2

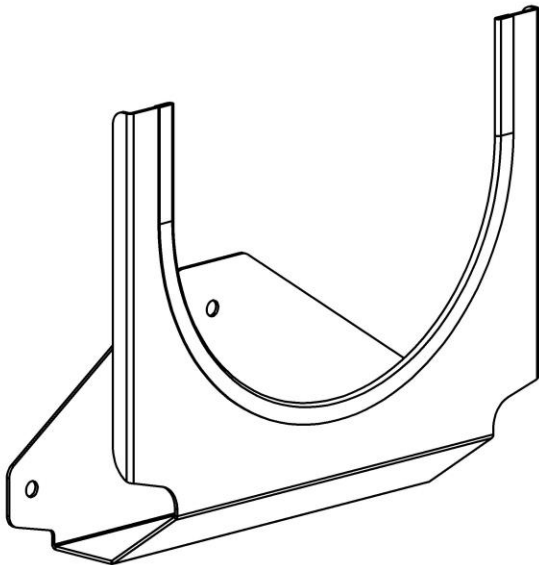
Step 1 – Determine Mount Location .....3

Step 2 – Attach Hard Hat Holder .....4

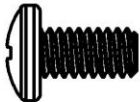

**Before You Begin**

- Read all instructions.
- Hard Hat Holder can be installed in a variety of locations. Choose the location that best fits your needs. These instructions show the holder being mounted on a partition.
- ENSURE LOCATION CHOSEN AND WORK AREA IS CLEAR OF ELECTRICAL AND OTHER HAZARDS PRIOR TO DRILLING.

Parts

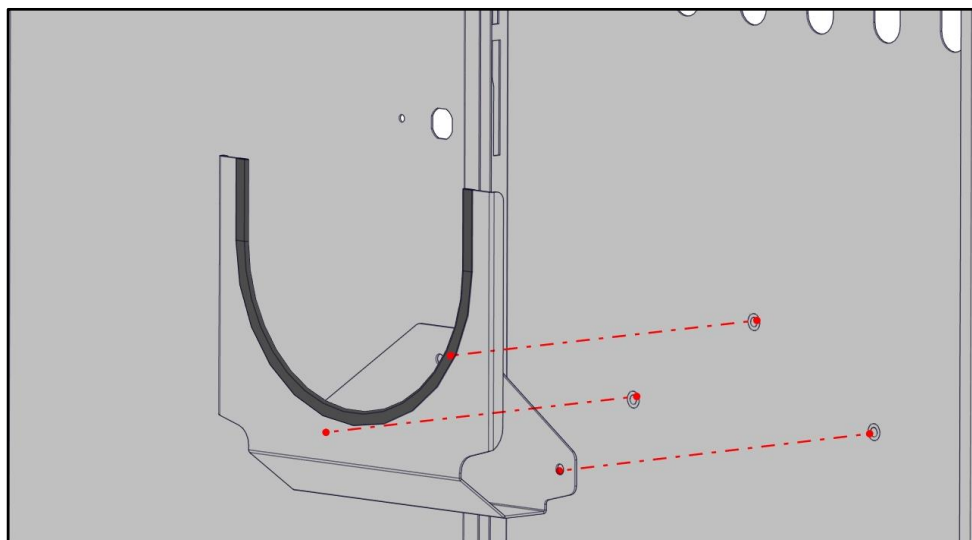
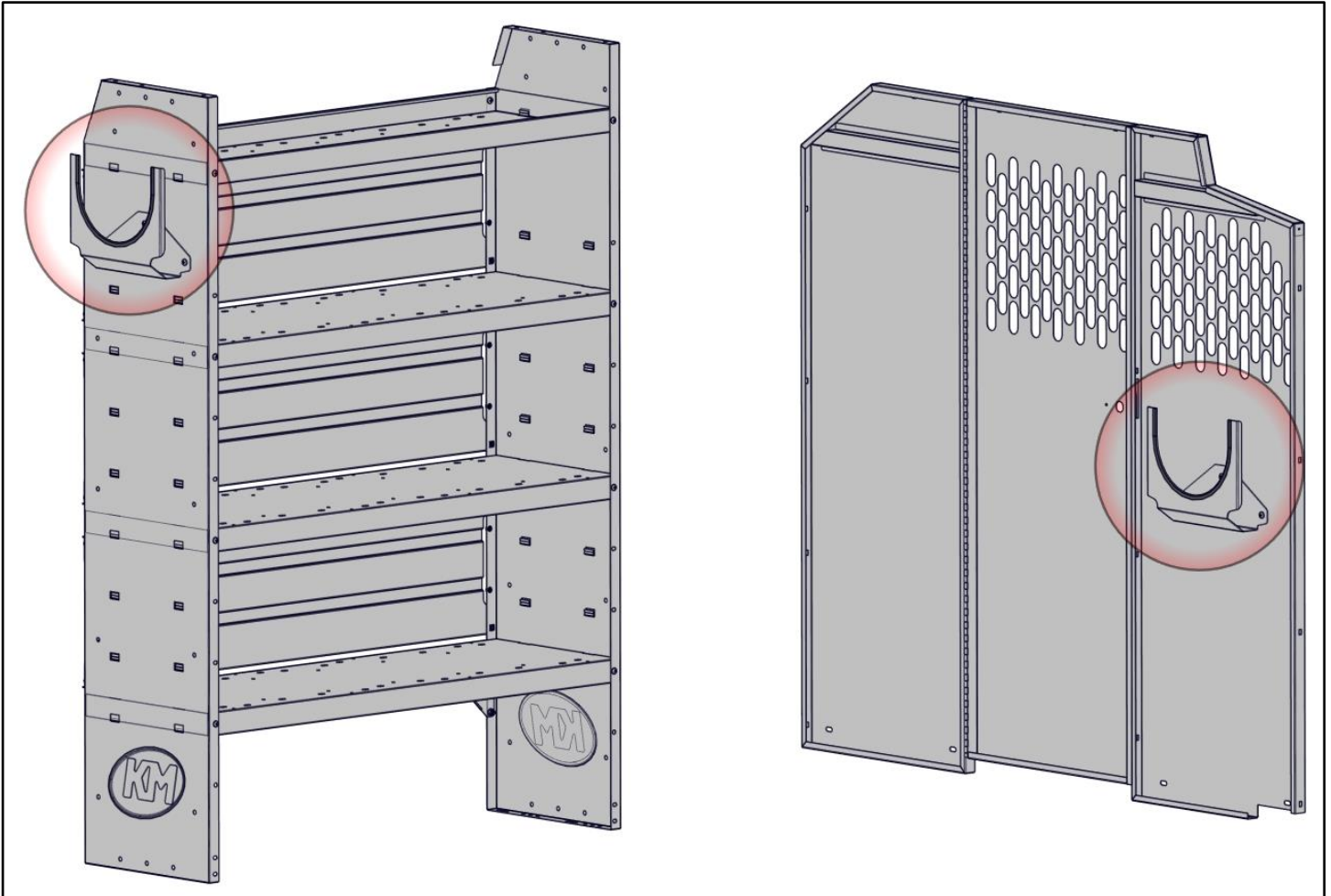
ITEM NO.		PART NUMBER	DESCRIPTION	QTY.
A		40131-10	HARD HAT HOLDER	1
		18-40131	HARDWARE	1

Hardware

ITEM NO.	TO SCALE	PART NUMBER	DESCRIPTION	QTY.
1		90272A537	SCREW, PAN HEAD, PHILLIPS 1/4-20 x 1/2	3
2		93298A110	1/4"-20 Flanged Nyloc	3

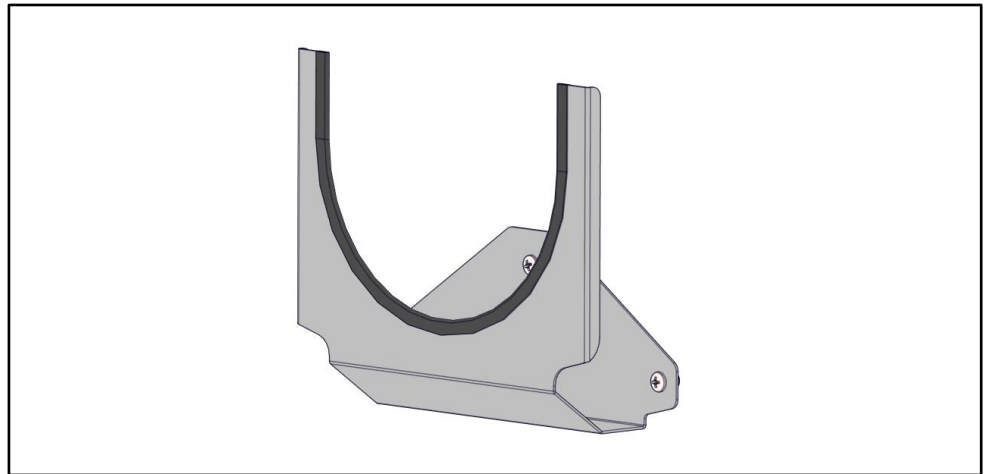
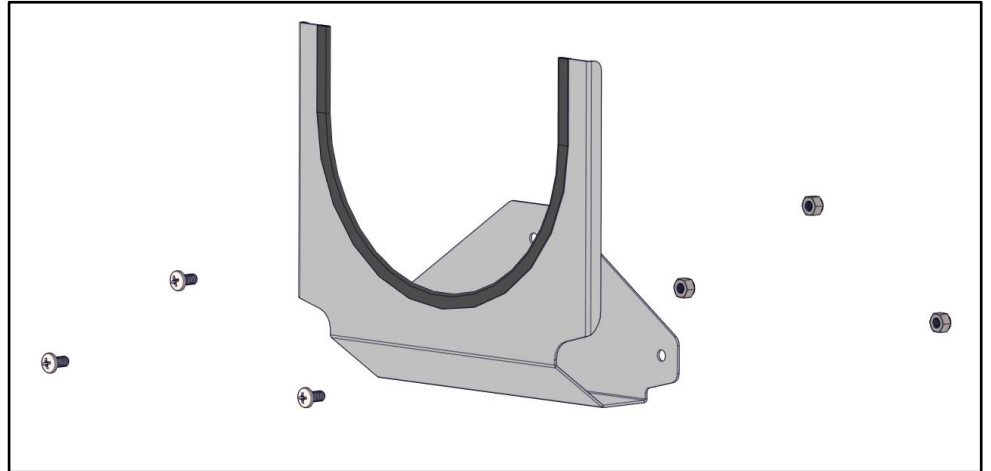
## Step 1 – Determine Mount Location

- Place Hard Hat Holder in desired location.
- Once the location is chosen, level and square the Hard Hat Holder.
- Mark through the three holes of the Hard Hat Holder onto the sheet metal.
- Remove Hard Hat Holder.
- Drill marked locations using a 1/4" drill bit. ENSURE SAFETY PRIOR TO DRILLING.



## Step 2 – Attach Hard Hat Holder

- Place Hard Hat Holder over previously drilled holes.
- Attach using 1/4" x 1/2" pan head screws and 1/4" flanged nyloc nuts.
- Ensure the pan head screw is orientated as shown.



Ensure all bolts are tight. Your Installation is now complete.

