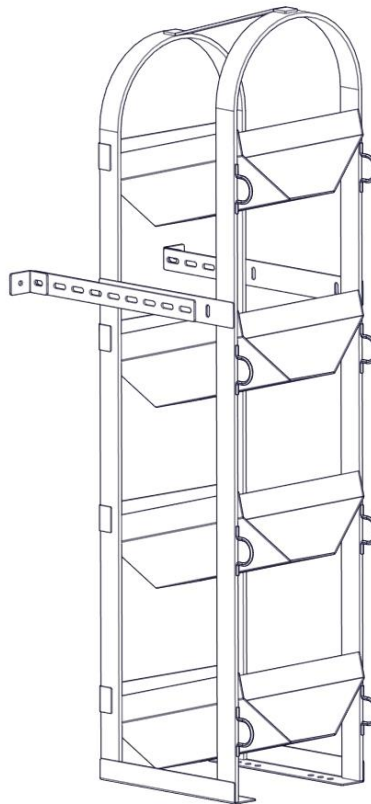




WE PUT EVERYTHING WITHIN REACH.

Installation Guide

40100



Kargo Master
Rancho Cordova, CA 95742
800-343-7486
CustomerService@KargoMaster.com

DATE: _____

PLEASE READ ALL INSTRUCTIONS AND WARNINGS PRIOR TO ASSEMBLING, INSTALLING, AND USING THIS PRODUCT

Warning



Always check for wires, fuel tanks and lines, brake lines and other important vehicle functionality items prior to drilling and installing all products.

Tools Needed

| | |
|-------------------------|-------------------------|
| 7/16" Socket and Wrench | 1/2" Socket and Wrench |
| 1/4" Drill (optional) | 25/64" Drill (optional) |

Table of Contents

Parts List 2

Hardware List 3

Step 1 – Find Mount Location 4

Step 2 – Configure Mount Brackets 4

Step 3 – Mount Strap to Assembly 5

Step 4 – Prepare Vehicle 5

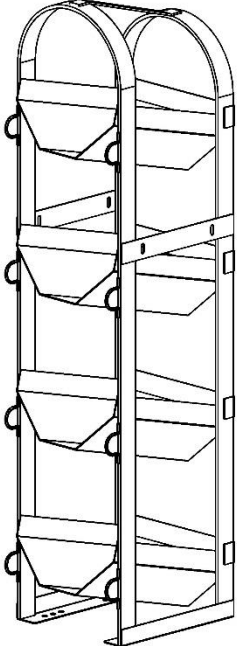

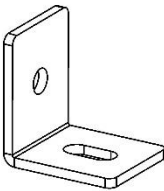
 Step 4a – Shelf Mount 6

Step 5 – Floor Mount 6

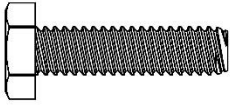
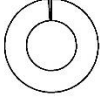
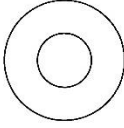
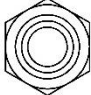

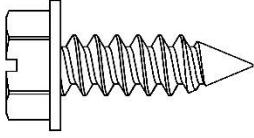
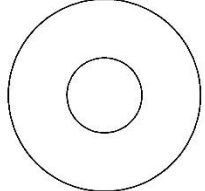
Before You Begin

- Read all instructions.
- Ensure safety when drilling into shelf, or screwing into floor.
- In some situations, not all mounting locations will be used. Use your best judgment to ensure the tank rack is secured properly.

Parts

| ITEM NO. | | PART NUMBER | DESCRIPTION | QTY. |
|----------|---|--------------|-------------------|------|
| A |  | 40100-10 | 4 TANK HOLDER ASM | 1 |
| B |  | 40200-00-001 | Strap | 2 |
| C |  | 40200-00-002 | Angle | 2 |

Hardware

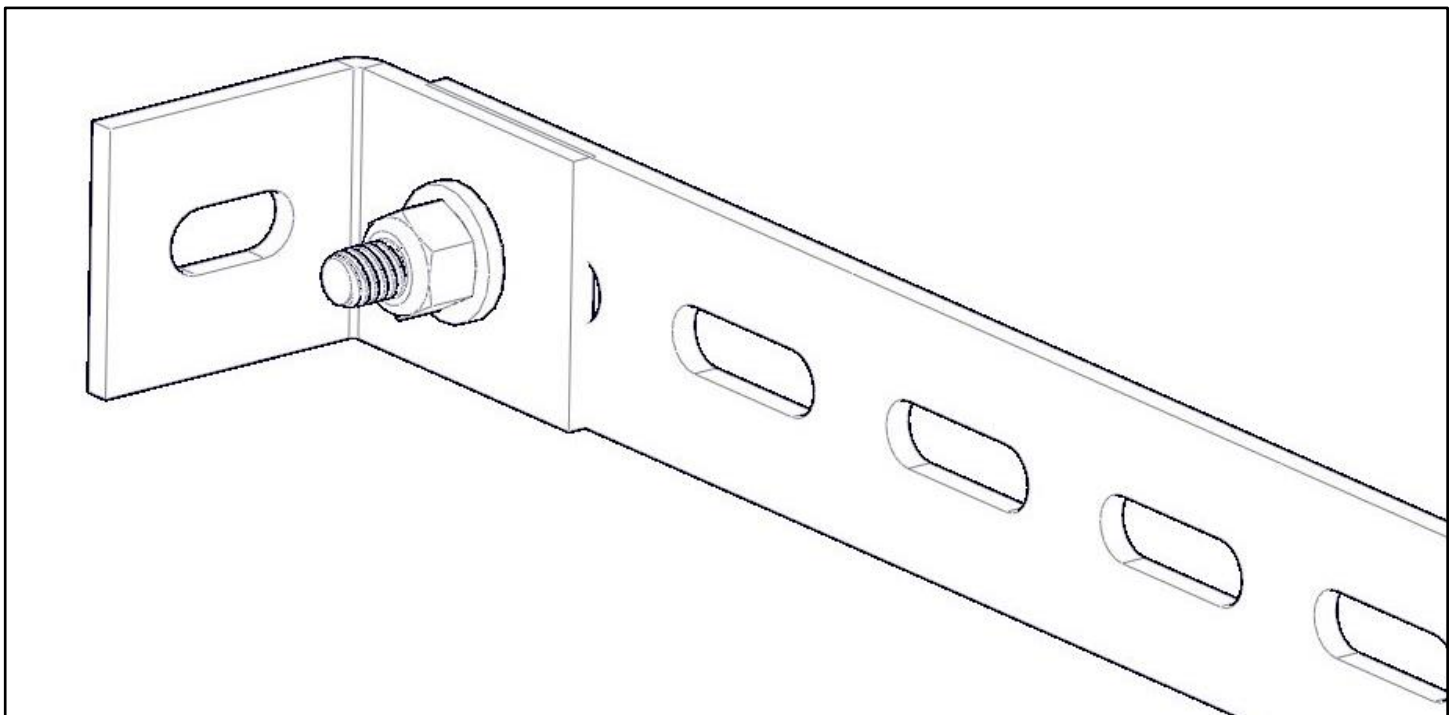
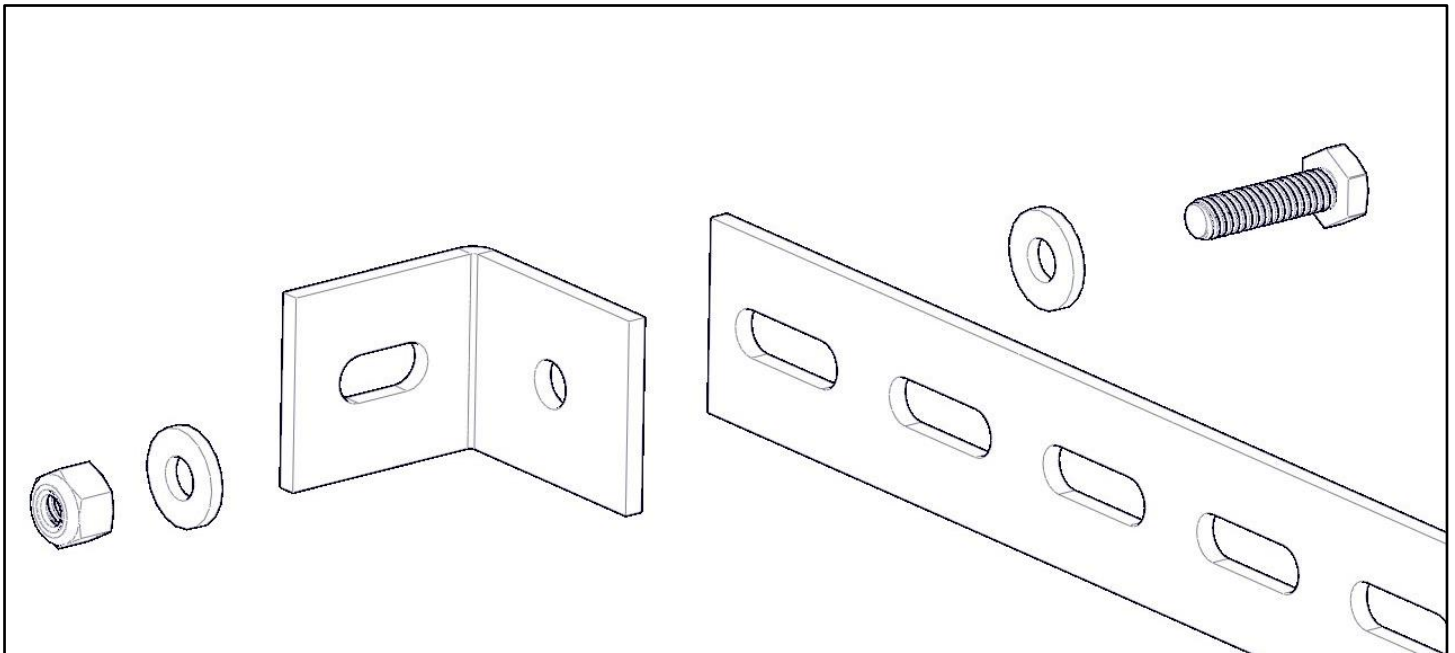
| ITEM NO. | TO SCALE | PART NUMBER | DESCRIPTION | QTY. |
|----------|---|-----------------------------------|--|------|
| 1 |  | 92865A544 | .25-20 x 1.0 HH | 8 |
| 2 |  | 91102A750 | .25 Split Lock Washer | 2 |
| 3 |  | 90126A029 | .25 Flat Washer | 14 |
| 4 |  | 97135A210 | .25-20 Nyloc Nut | 6 |
| 5 |  | 93669A230 | .25-20 Riv Nut | 4 |
| 6 |  | 90054A415 | .312-20 x 1.0 HH Sheet Metal Screw (Sharp Point) | 4 |
| 7 |  | .375ID x 1OD x .375T Nylon Spacer | .375 x 1.0 Nylon Spacer | 2 |
| 8 | | Strap-4Tank | Strap-4Tank | 4 |

Step 1 – Find Mount Location

- Determine location of where the 4 tier tank rack will be placed.
- If placing next to a shelf, the mount brackets (B&C) will not be needed. See Step 4a.

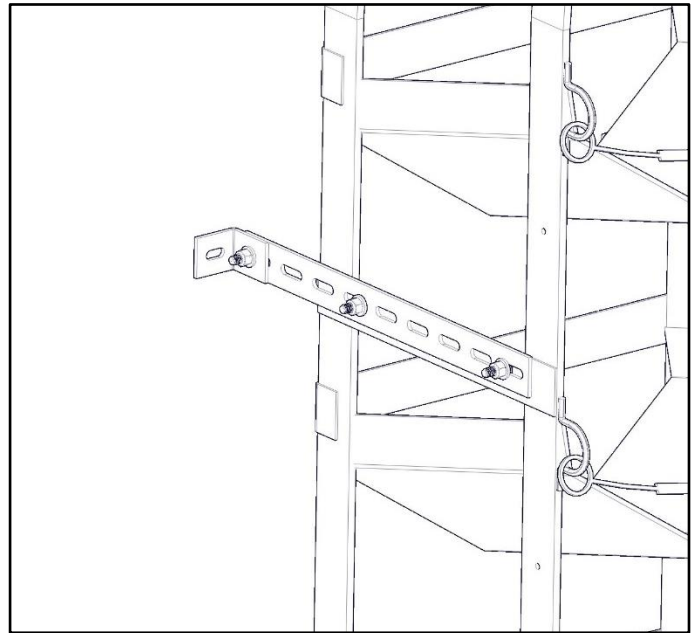
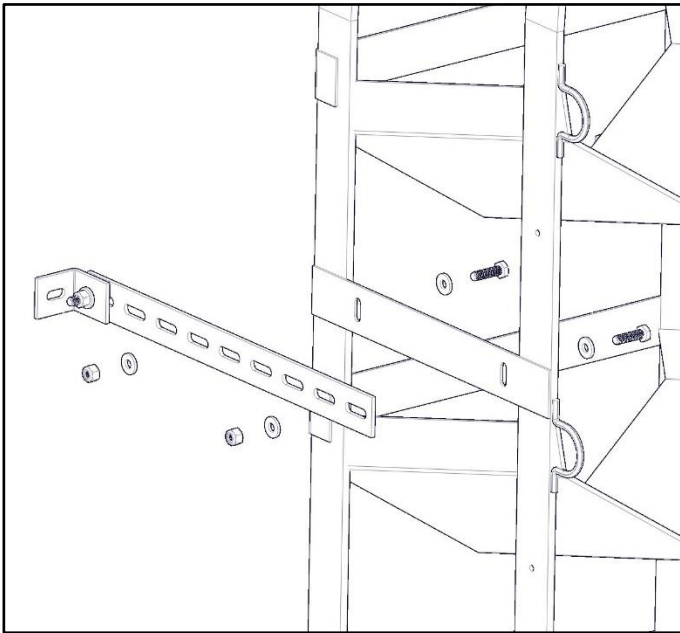
Step 2 – Configure mount brackets

- Configure mount brackets (B&C) in a way so that the 4 tier assembly can be fastened to the van.
- Mount angle bracket (C) to strap bracket (B) using a 1/4" x 1" HH bolt, two 1/4" flat washers and a 1/4" nyloc.
- Snug Tighten, but allow movement between brackets.



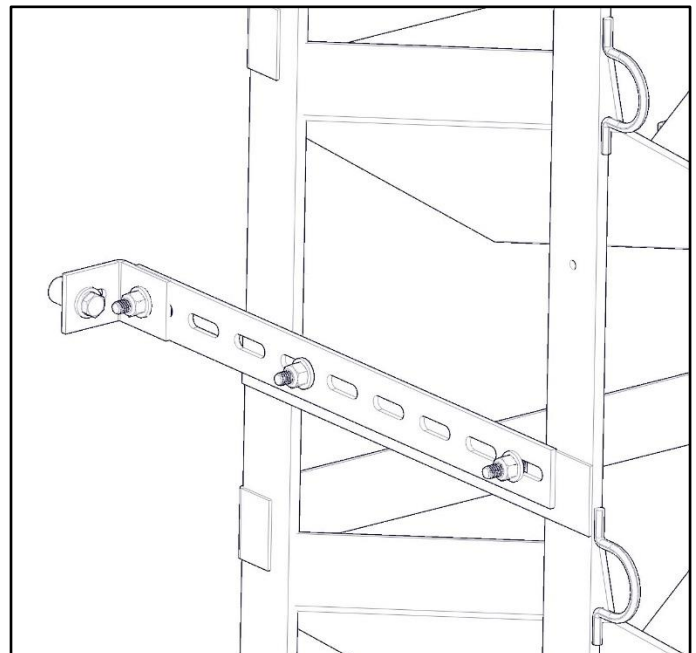
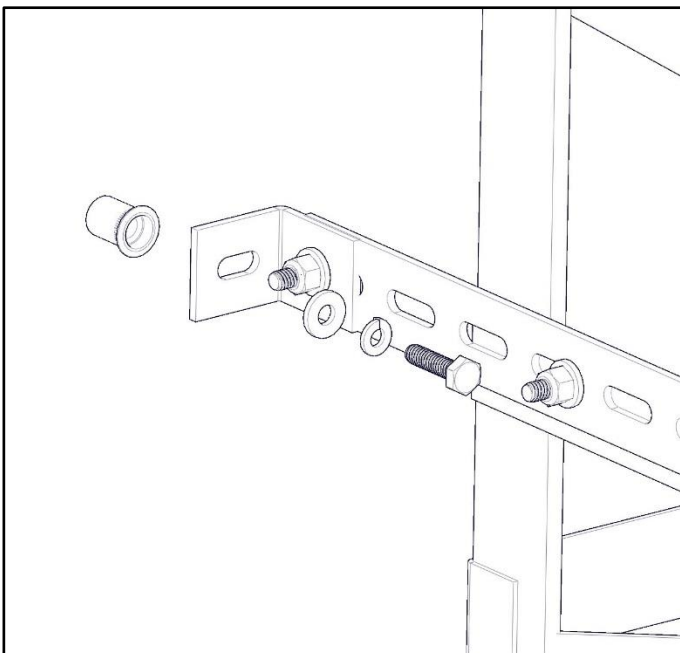
Step 3 –Mount Strap to Assembly

- Configure brackets in order to mount against support on wall of van.
- In some circumstances, strap (B) will only attach to assembly (A) in one location.



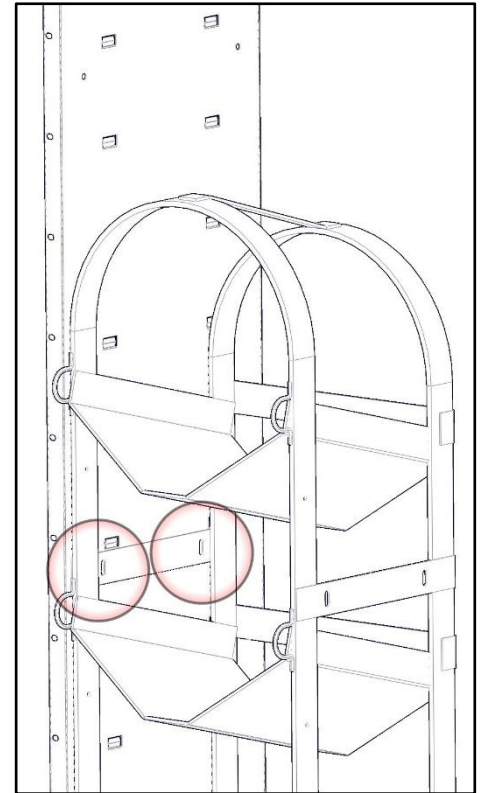
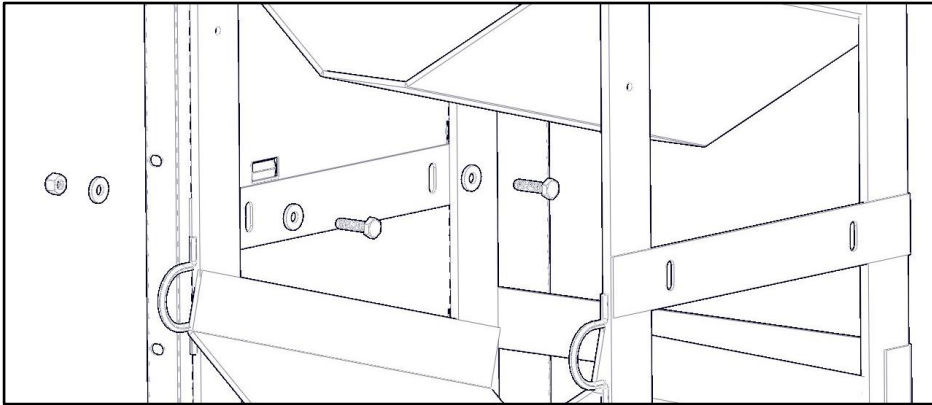
Step 4 –Prepare vehicle

- Mark location where angle bracket comes into contact with the support on the van wall.
- Drill with a 25/64" bit. Use a drill stop to avoid causing damage.
- Install plusnut.
- Bolt angle mount bracket (C) to previously installed plusnut using a 1/4" x 1" hex bolt, a .1/4" lock washer and a 1/4" flat washer



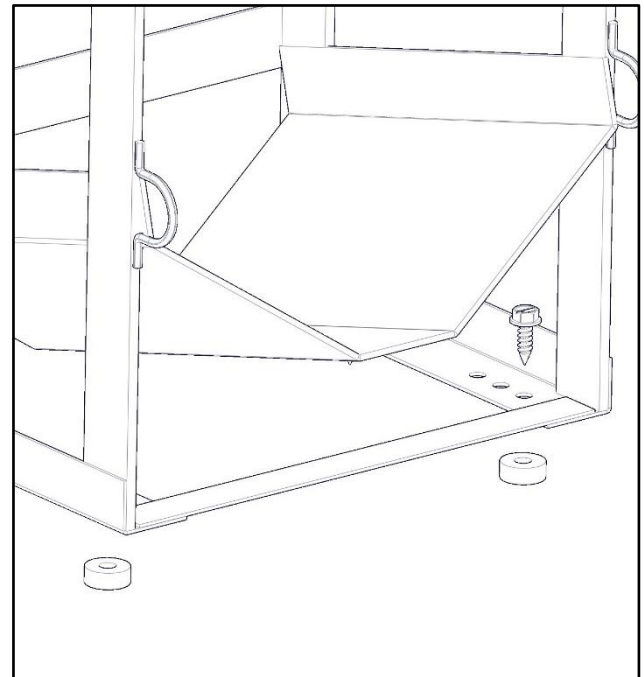
Step 4a –Shelf Mounting

- If mounting next to a shelf, place assembly firmly against shelf side.
- Mark mount locations onto shelf side. Drill these locations using a minimum 1/4" drill.
- Mount through the mount holes in the assembly, through the shelf side using a 1/4" x 1" hex bolt, two 1/4" flat washers and a 1/4" nyloc.



Step 5 –Floor Mount

- Check below tank rack to ensure safety to mount self drilling screw.
- Mount tank rack to floor using four 5/16" x 1" hex screws (6).
- If needed, place nylon spacer (7) below tank rack to ensure a flat mounting area.



GO BACK AND ENSURE ALL HARDWARE IS TIGHT
Your installation is now complete.