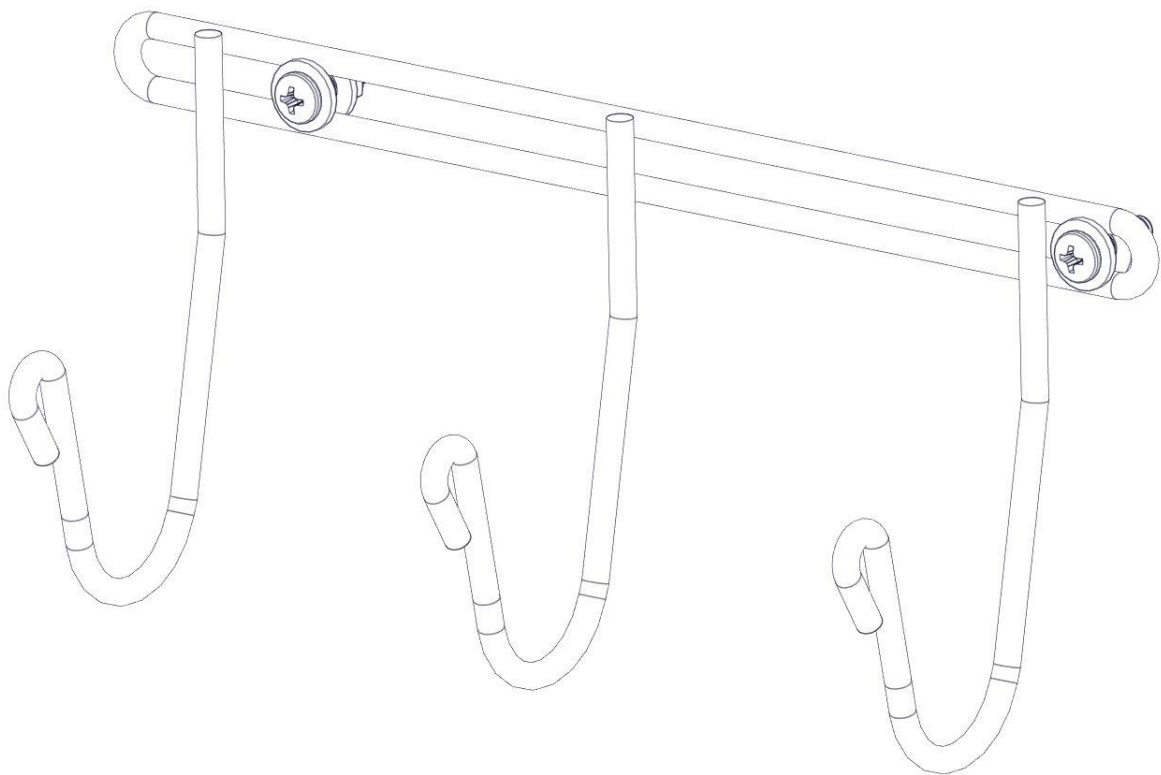




WE PUT EVERYTHING WITHIN REACH.

Installation Guide

40060



Kargo Master
Rancho Cordova, CA 95742
800-343-7486
CustomerService@KargoMaster.com

DATE: _____

***PLEASE READ ALL INSTRUCTIONS AND WARNINGS PRIOR TO ASSEMBLING,
INSTALLING, AND USING THIS PRODUCT***

Warning



Always check for wires, fuel tanks and lines, brake lines and other important vehicle functionality items prior to drilling and installing all products.

Tools Needed

Phillips Driver	7/16" Wrench and Socket
1/4" Drill	

Table of Contents

Parts List 2

Hardware List 2

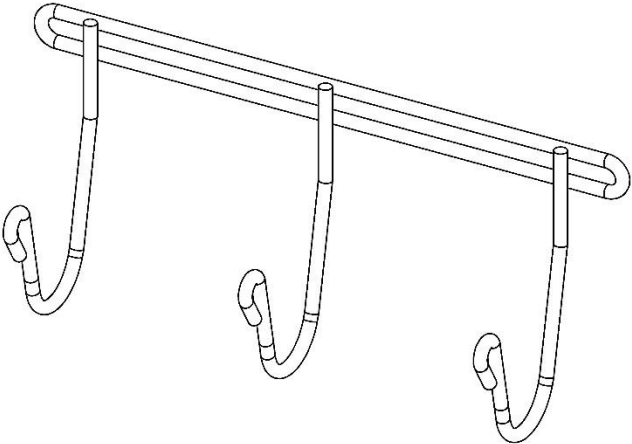
Step 1 Find Location 3

Step 2 Attach 3

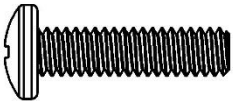

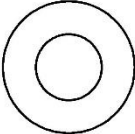


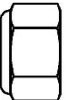
Before You Begin

- Read all instructions.
- ENSURE SAFETY PRIOR TO DRILLING.
- Product can be installed on virtually any sheet metal product. Make use of the J-Hook on shelves, partitions, lockers and much more.

Parts

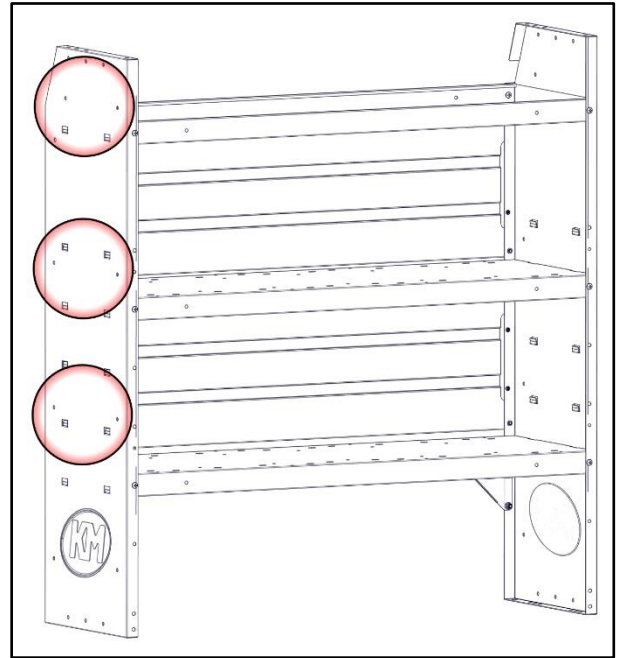
ITEM NO.		PART NUMBER	DESCRIPTION	QTY.
A		40060-10	J-Hook ASM	1
		18-40060	J-Hook Hardware	1

Hardware

ITEM NO.	TO SCALE	PART NUMBER	DESCRIPTION	QTY.
1	 	90272A542	1/4"-20 x 1.0" Phillips Pan Head	2
2	 	90126A030	5/16" Flat Washer	4
3	 	95615A120	1/4"-20 Nyloc	2

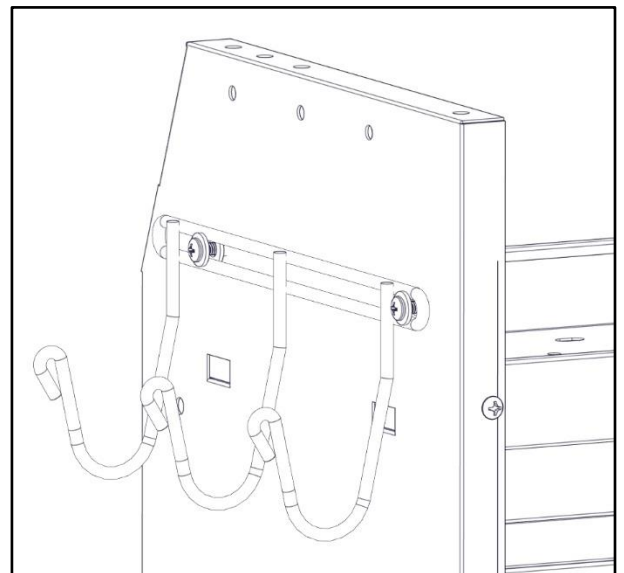
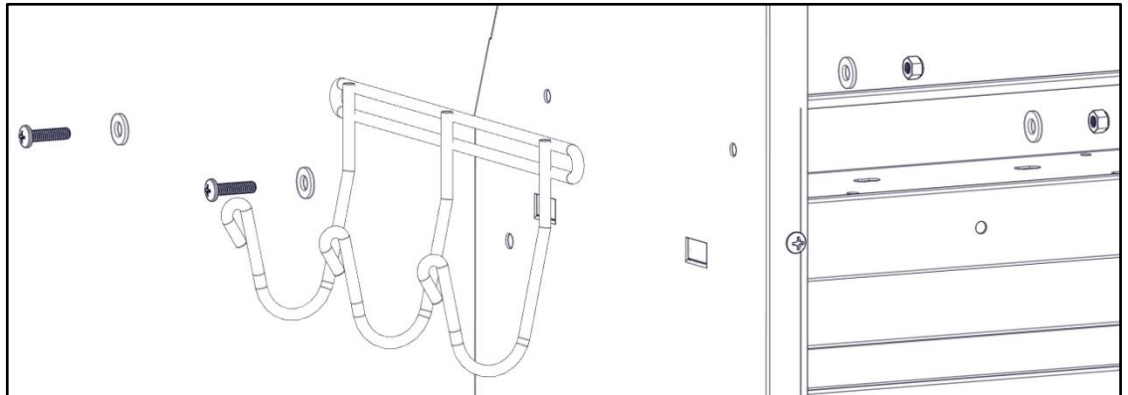
Step 1 – Find Location

- Find desired location for J-Hook to be installed.
- Holes can be found along the side of most KargoMaster shelf units. One can make use of these.
- Two holes may be drilled in any desired location.
- If desired, place J-Hook (A) in any desired location, mark hole locations and drill with 1/4" drill.



Step 2 – Attach

- Bolt together using a 1/4" x 5/8" round head (1), two 5/16" flat washers (2) and a 1/4 nyloc (3) on the side of what ever the hook is mounted to.



Ensure all bolts are tight. Your Installation is now complete.