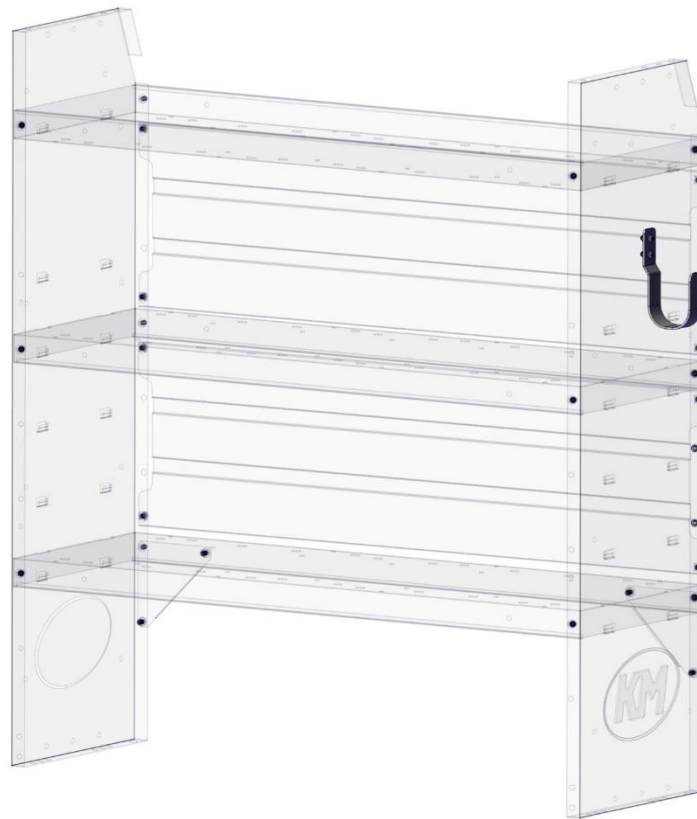




WE PUT EVERYTHING WITHIN REACH.

Installation Guide

40050



Kargo Master
Rancho Cordova, CA 95742
800-343-7486
CustomerService@KargoMaster.com

DATE: _____

***PLEASE READ ALL INSTRUCTIONS AND WARNINGS PRIOR TO ASSEMBLING,
INSTALLING, AND USING THIS PRODUCT***

Warning



Always check for wires, fuel tanks and lines, brake lines and other important vehicle functionality items prior to drilling and installing all products.

Tools Needed

Phillips Driver	7/16" Wrench and Socket
1/4" Drill	

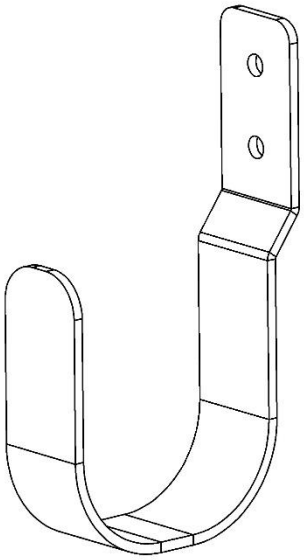
Table of Contents

Parts List 2
Hardware List 2
Step 1 Find Location 3
Step 2 Attach 3

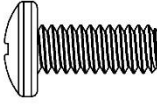

Before You Begin

- Read all instructions.
 - ENSURE SAFETY PRIOR TO DRILLING.
 - Product can be installed on virtually any sheet metal product. Make use of the single hook on shelves, partitions, lockers and much more.
-

Parts

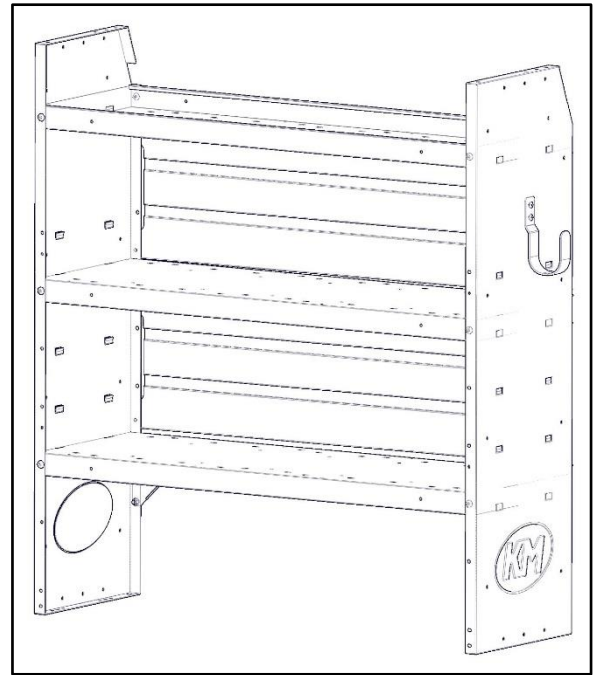
ITEM NO.		PART NUMBER	DESCRIPTION	QTY.
A		KM9058-101	Single Hook	1

Hardware

ITEM NO.	TO SCALE	DESCRIPTION	PART NUMBER	QTY.
1		.25-20 x .625 Round Head	90272A539	2
2		.25-20 Nyloc	95615A120	2

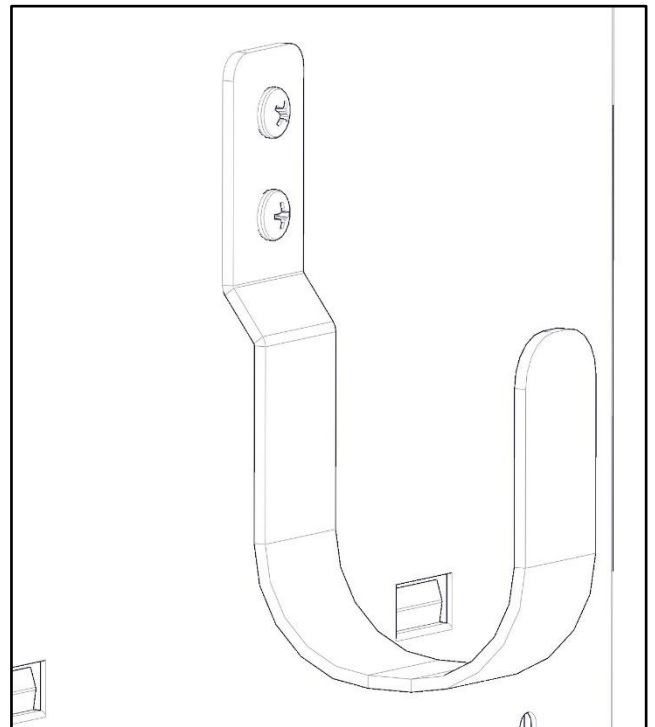
Step 1 – Find Location

- Find desired location for single hook to be installed.
- On the side of most KargoMaster shelf units, holes can be found, any one of these holes can be used, mark and drill a second hole. Two holes may be drilled in any desired location.
- Place single hook (A) in desired location, mark hole locations and drill with 1/4" drill.



Step 2 – Attach

- Bolt together using a 1/4" x 5/8" round head (1) on the single hook (A) side and a 1/4" nyloc nut (2) on the side of what ever the hook is mounted to.



Ensure all bolts are tight. Your Installation is now complete.