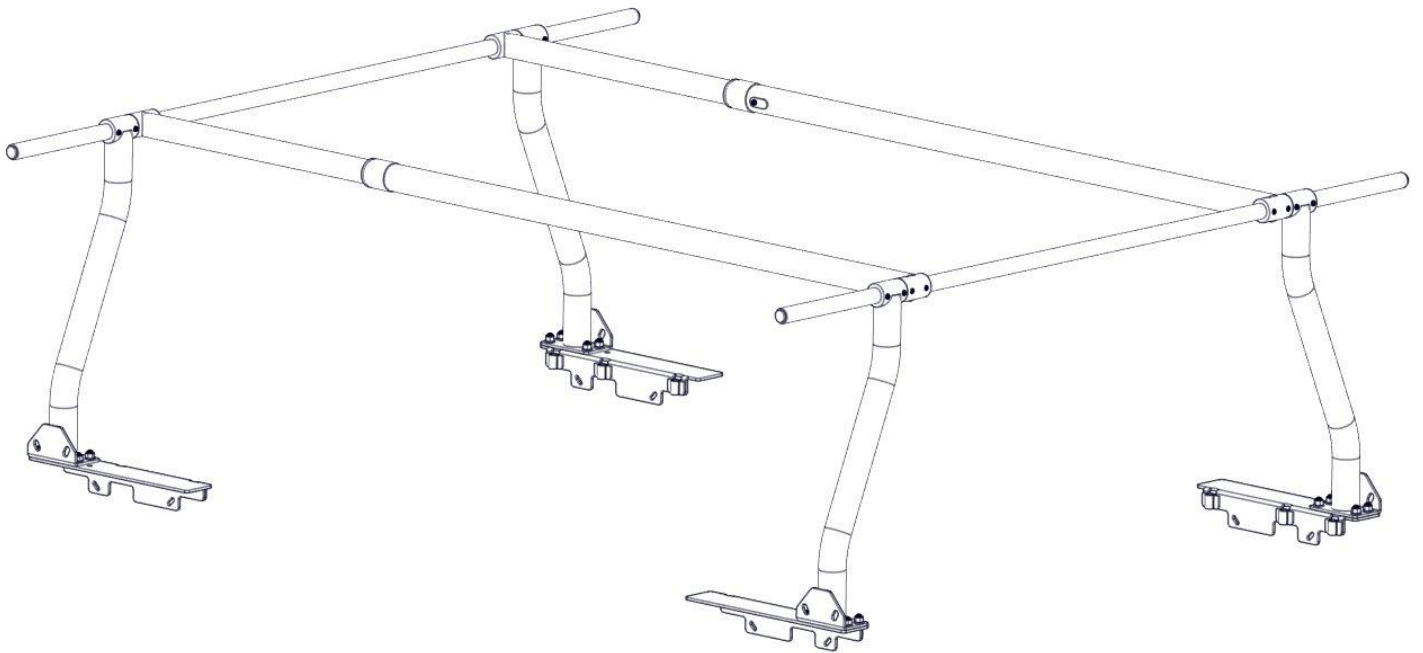




Installation Guide

31680



Kargo Master
Rancho Cordova, CA 95742
800-343-7486
CustomerService@Safari.com

DATE: _____

***PLEASE READ ALL INSTRUCTIONS AND WARNINGS PRIOR TO ASSEMBLING,
INSTALLING, AND USING THIS PRODUCT***

Warning



Always check for wires, fuel tanks and lines, brake lines and other important vehicle functionality items prior to drilling and installing all products.

Tools Needed

3/16" Allen	
-------------	--

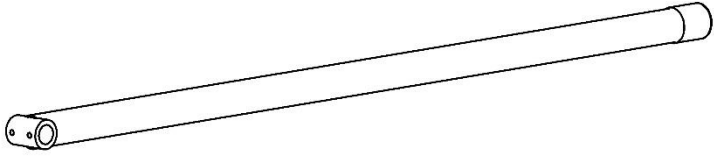
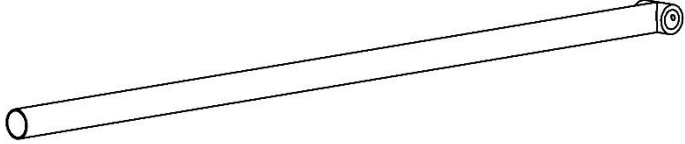
Table of Contents

Parts List	2
Hardware List	2
Step 1 Assemble Roof Rails	3
Step 2 Crossbar to Roof Rails	4
Step 3 Position Roof Rails	5
Step 4 Set Length of Roof Rails	6
Step 5 Set Crossbar Width	6

Before You Begin

- Read all instructions.
 - Be sure to have 30070 installed on vehicle.
-

Parts

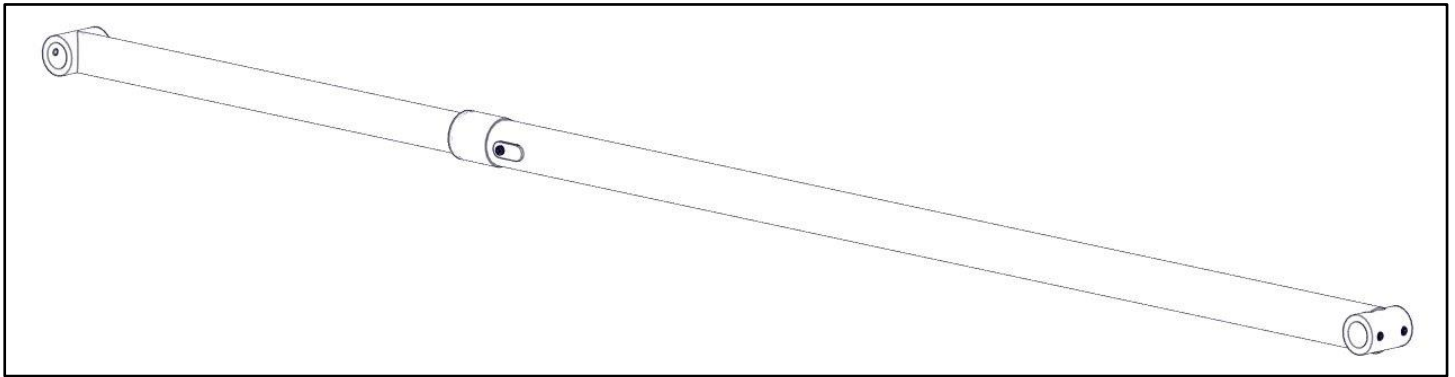
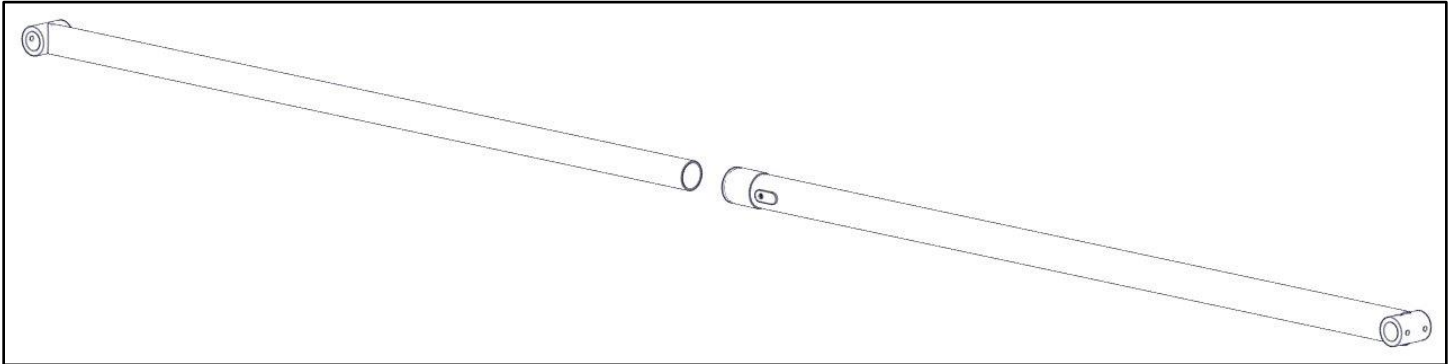
ITEM NO.		PART NUMBER	DESCRIPTION	QTY.
A		31680-10	OUTER TUBE ASM	2
B		31680-20	INNER TUBE ASM	2
		18-31680	HARDWARE KIT	1

Hardware

ITEM NO.	TO SCALE	PART NUMBER	BOM	QTY.
1		94105A605	3/8"-16 X 3/8" Set Screw	10

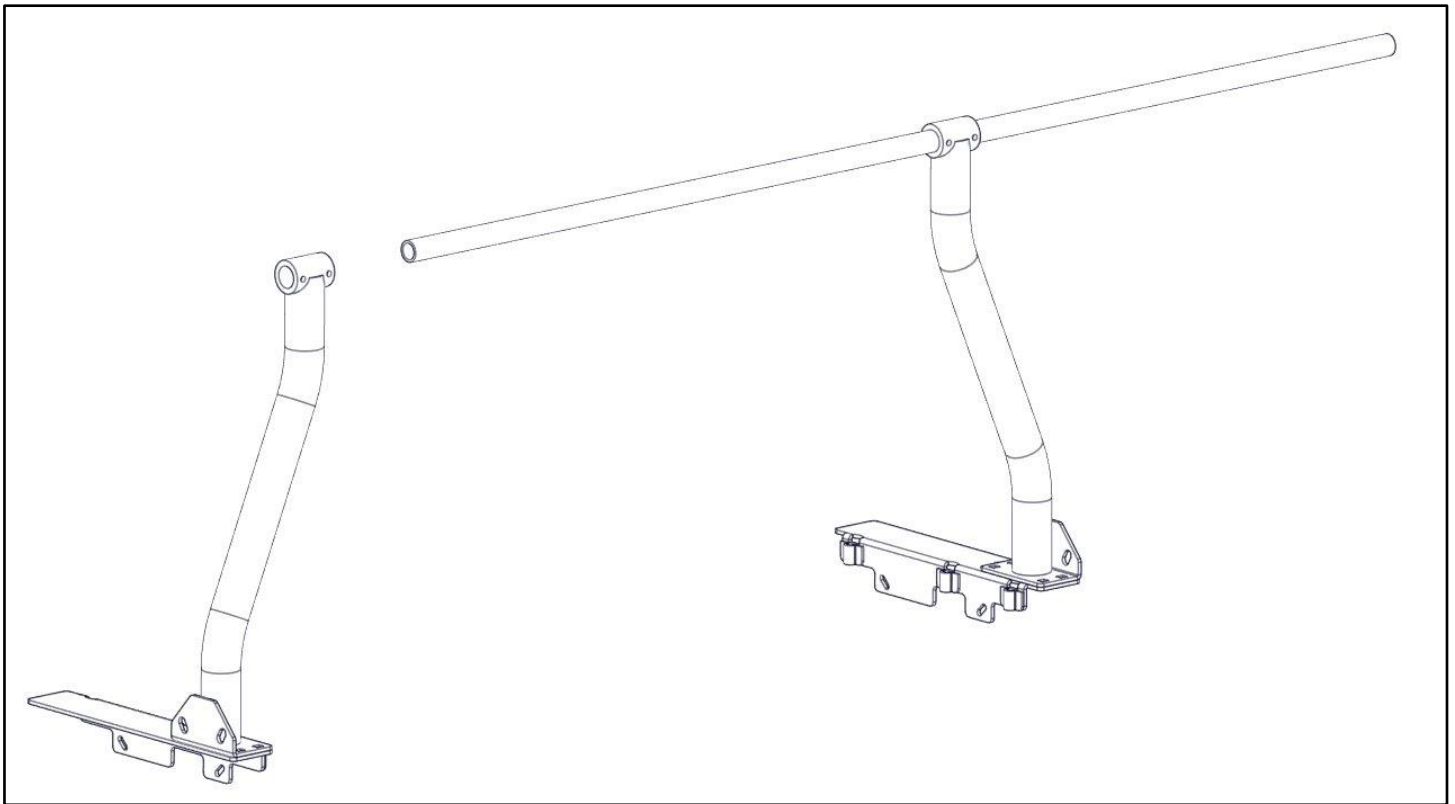
Step 1 – Assemble Roof Rails

- Slide inner tube assembly (B) into outer tube assembly (A).
- Repeat 2x.
- DO NOT INSERT ANY SCREWS AT THIS TIME.

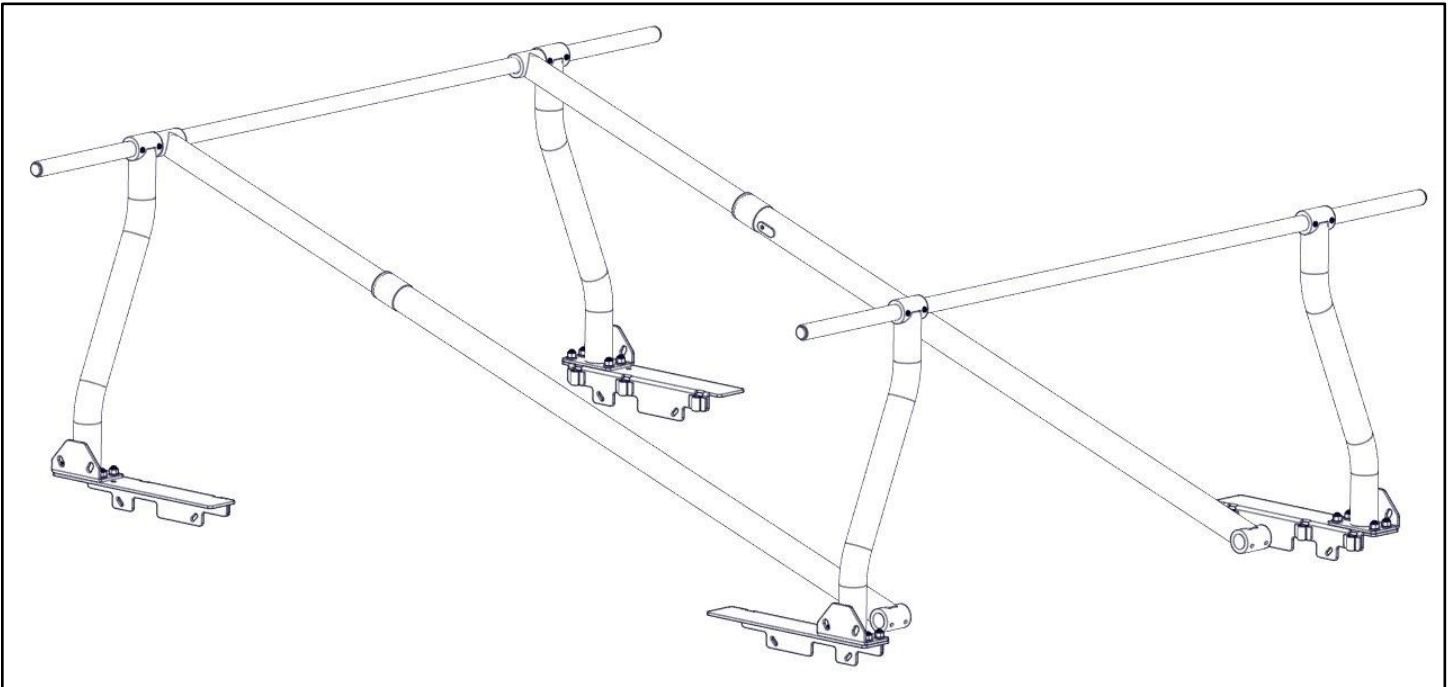


Step 2 – Crossbar to Roof Rails

- Have 30070 installed on vehicle.
- Loosen set screws that keep the crossbar in place. Slide crossbar out far enough to insert roof rails. One can start at the front or the rear of the vehicle.



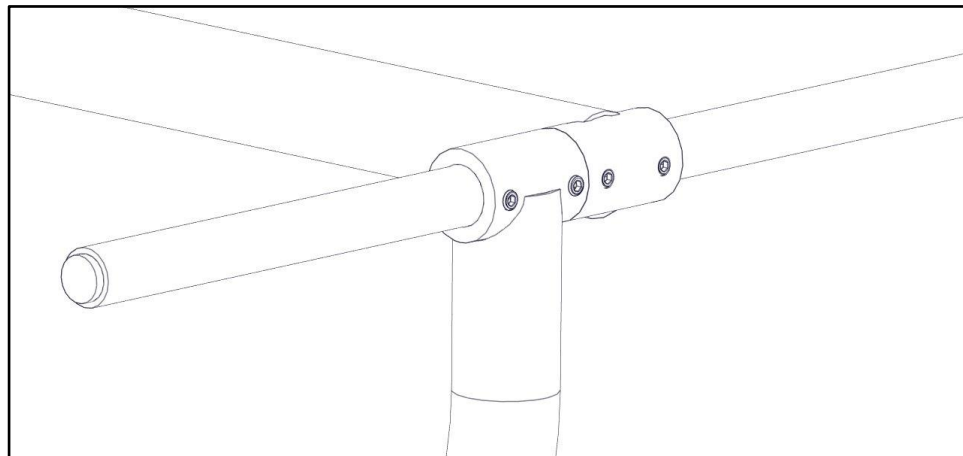
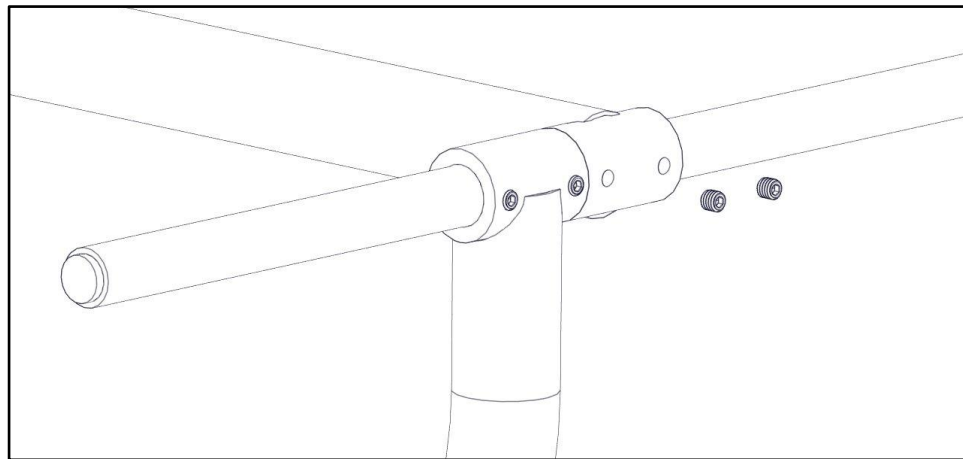
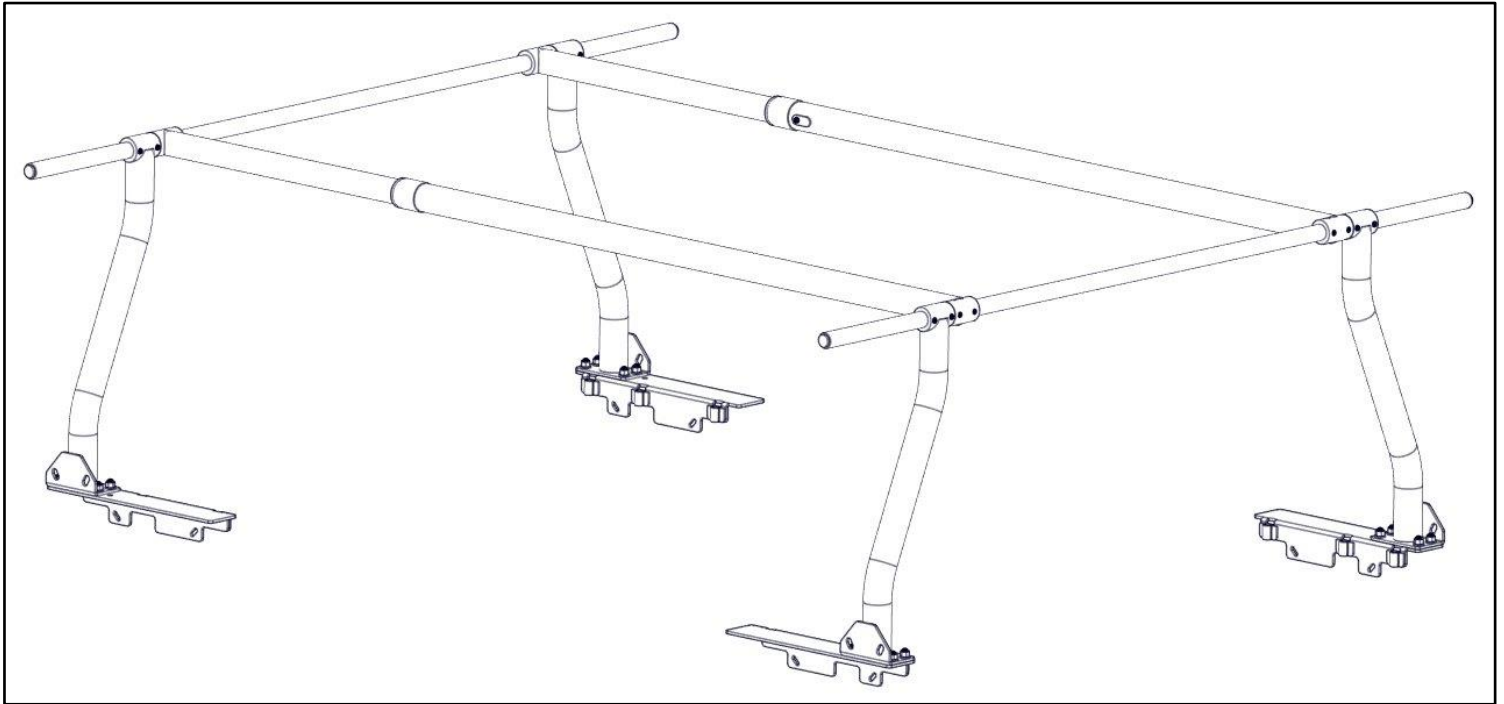
- Slide the crossbar through two roof rails (A or B).



- Repeat at the other end of the vehicle.
- DO NOT TIGHTEN ANY SCREWS AT THIS POINT.

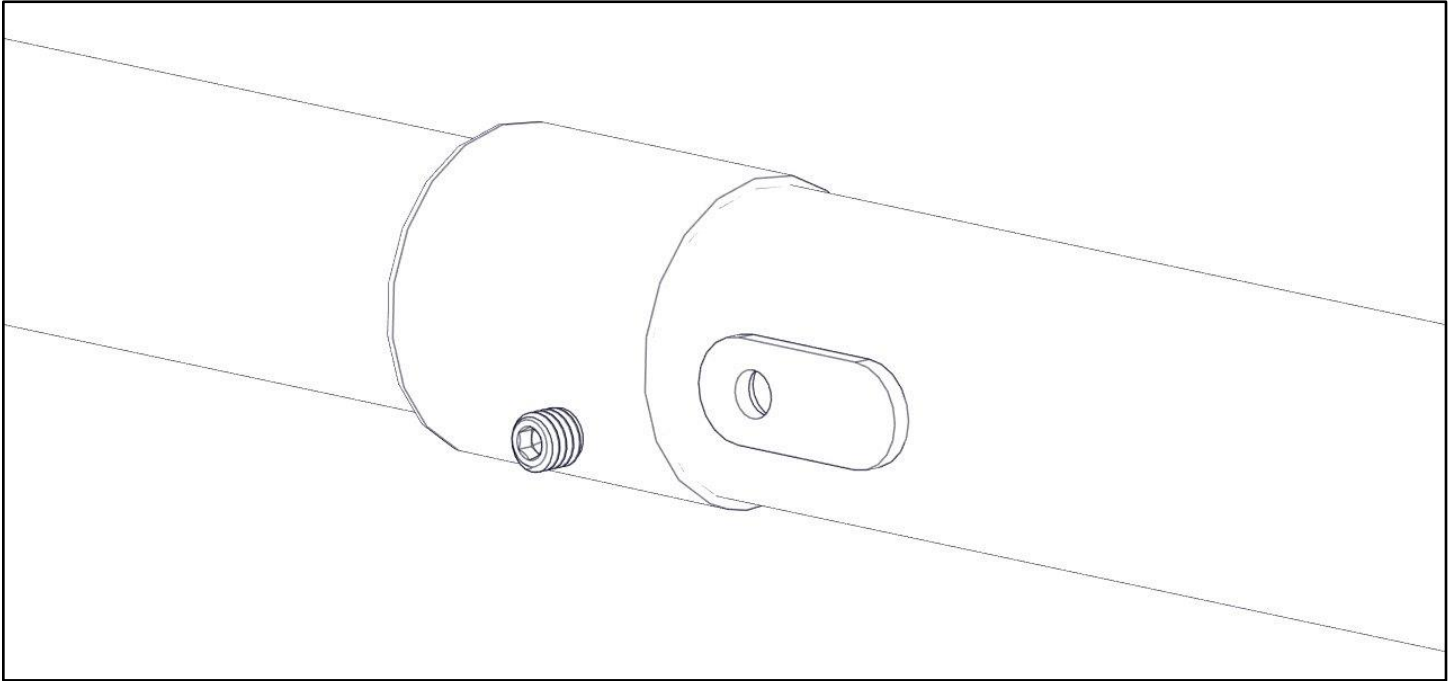
Step 3 – Position Roof Rails

- Position the roof rail in desired location.
- Bolt in set screws as shown. Repeat on both roof rails, front and rear.
- DO NOT TIGHTEN.



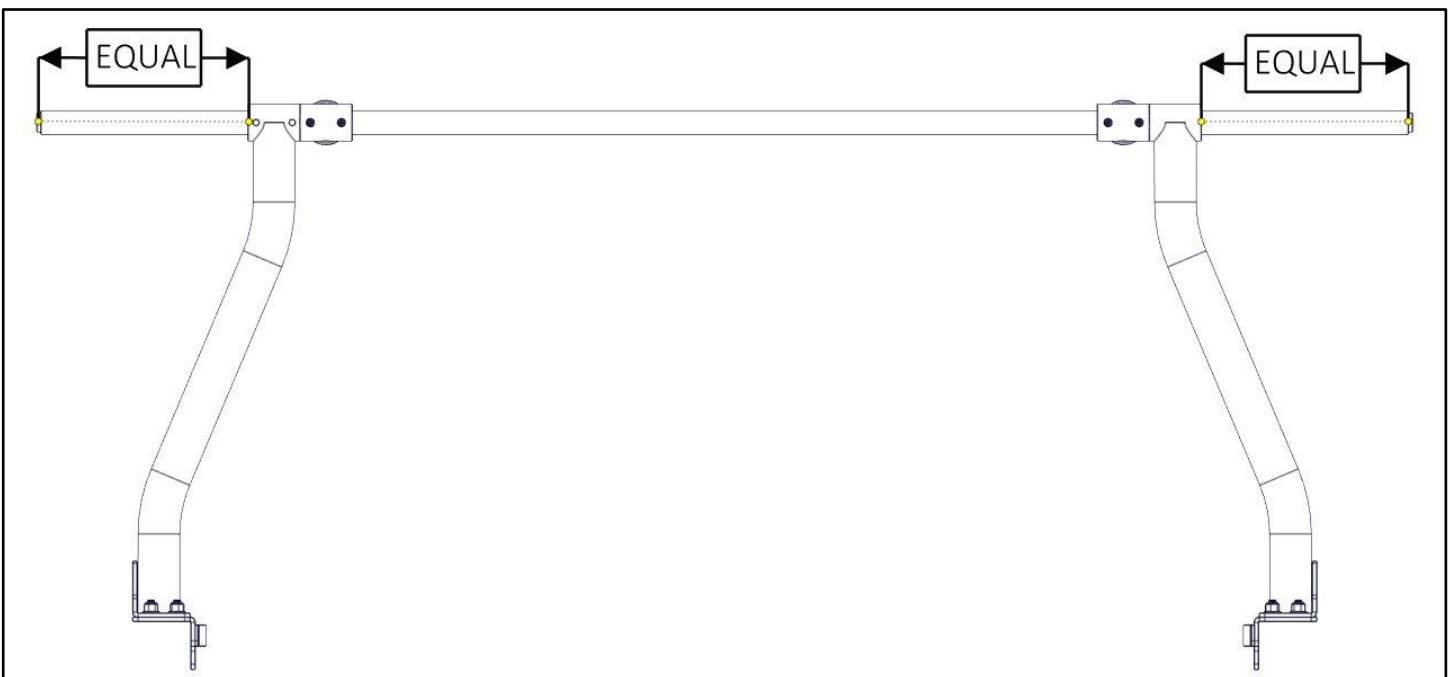
Step 4 – Set Length of Roof Rails

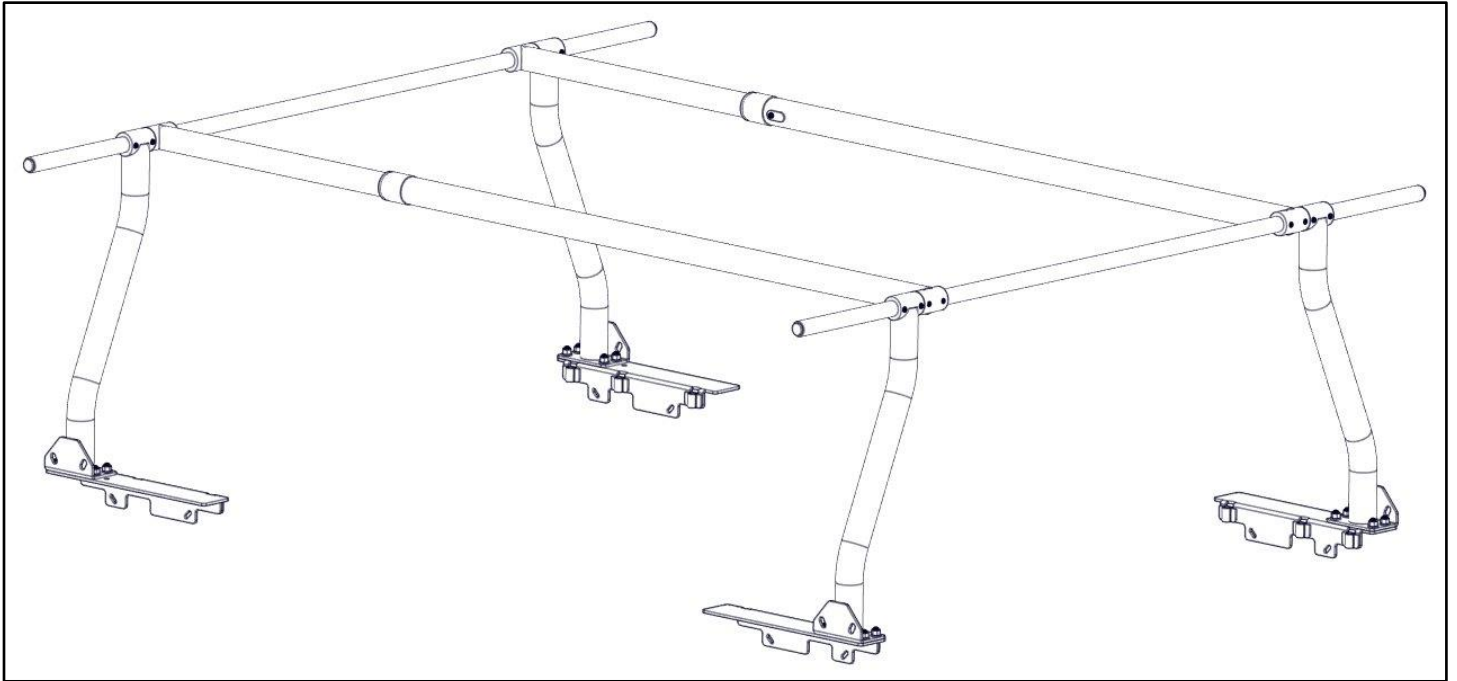
- Set length of roof rails. Screw set screw (1) into the side of the outer tube assembly (A).
- TIGHTEN.



Step 5 – Set Crossbar Width

- Be sure there is equal distance from the leg to the end of each crossbar.
- Some beds are more narrow in the rear than in the front. The equal distance on the crossbar may vary from front to back.
- TIGHTEN set screws installed in Step 3.





Align and square rack to your liking.
Ensure all bolts are tight. Your Installation is now complete.