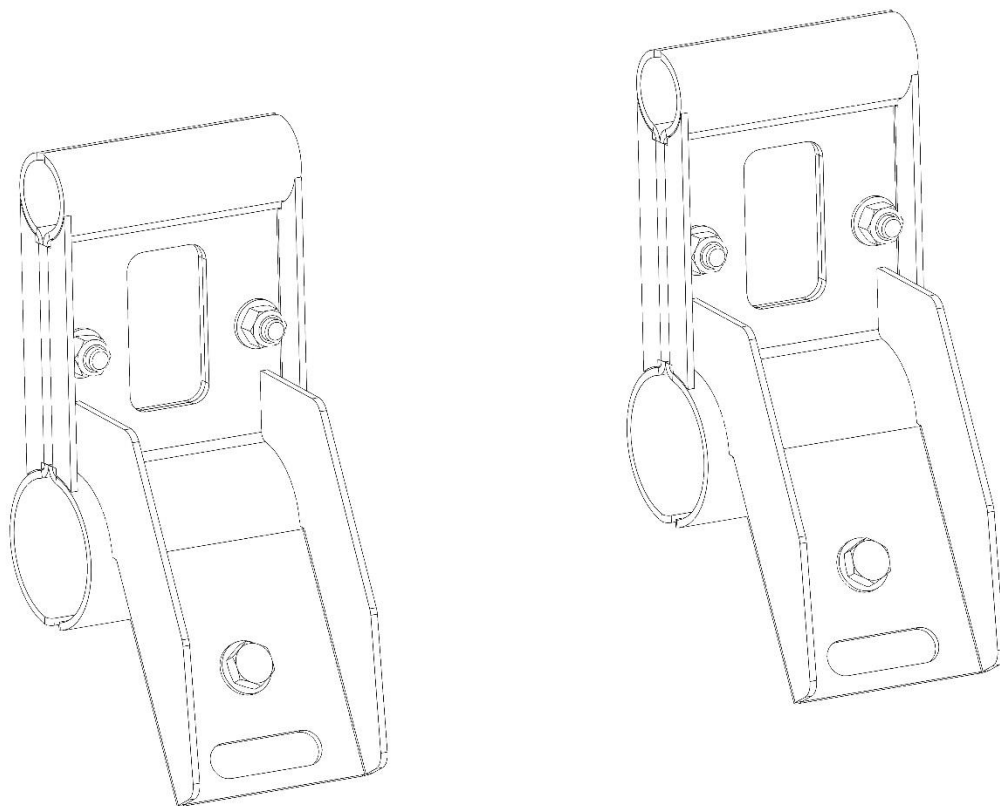




WE PUT EVERYTHING WITHIN REACH.

Installation Guide

31500



Kargo Master
Rancho Cordova, CA 95742
800-343-7486
CustomerService@KargoMaster.com

DATE: _____

***PLEASE READ ALL INSTRUCTIONS AND WARNINGS PRIOR TO ASSEMBLING,
INSTALLING, AND USING THIS PRODUCT***

Warning



Always check for wires, fuel tanks and lines, brake lines and other important vehicle functionality items prior to drilling and installing all products.

Tools Needed

1/2" Wrench and Socket	
------------------------	--

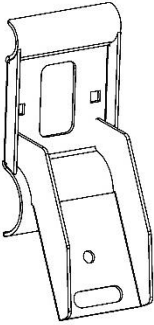
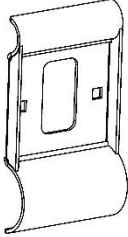
Table of Contents

Parts List 2
Hardware List 2
Step 1 Install Brackets 3

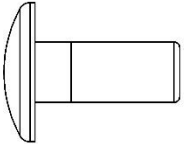
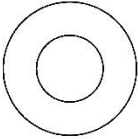
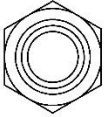
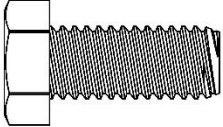
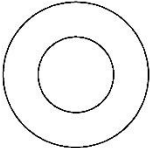
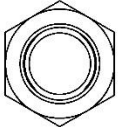
Before You Begin

- Read all instructions

Parts

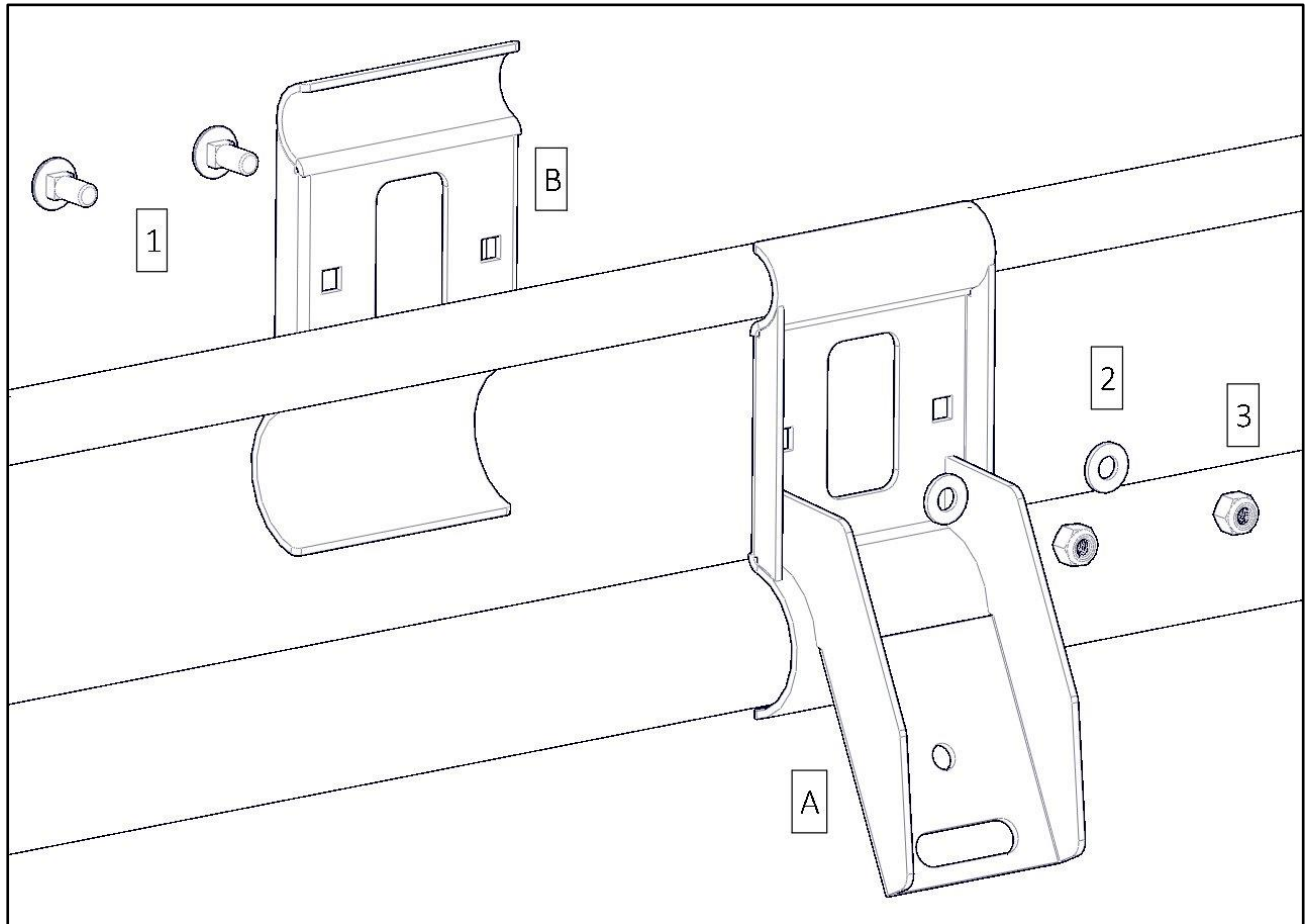
ITEM NO.		PART NUMBER	DESCRIPTION	QTY.
A		31500-10-R1	Ratchet Side Clamp	2
B		31500-00-001-R1	Back Side Clamp	2
		18-31500	Hardware Kit	1

Hardware

ITEM NO.	TO SCALE	PART NUMBER	Description	QTY.
1			.312x.75 Carriage Bolt	4
2		90126A030	.312 Flat Washer	4
3		95615A160	.312-18 Nylock	4
4		.375-16x1.0 Hex Bolt	.375-16 x 1.0 HH	2
5		90126A031	.375 Flat Washer	4
6		97135A230	.375-16 Nylock	2

Step 1 – Find location

- Find desired location to attach ratchet strap mounts.
- Place ratchet side clamp (A) on desired side of ladder rack. It is shown to the outside in this example.
- Place back side clamp (B) in position to pinch ladder rack between the two clamps as shown.
- Bolt together using two 5/16" x 3/4" carriage bolt (1), a 5/16" flat washer and a 5/16" nylock nut (3).



- Repeat for other set of clamps.

**TIGHTEN.
YOUR INSTALLATION IS NOW
COMPLETE**

