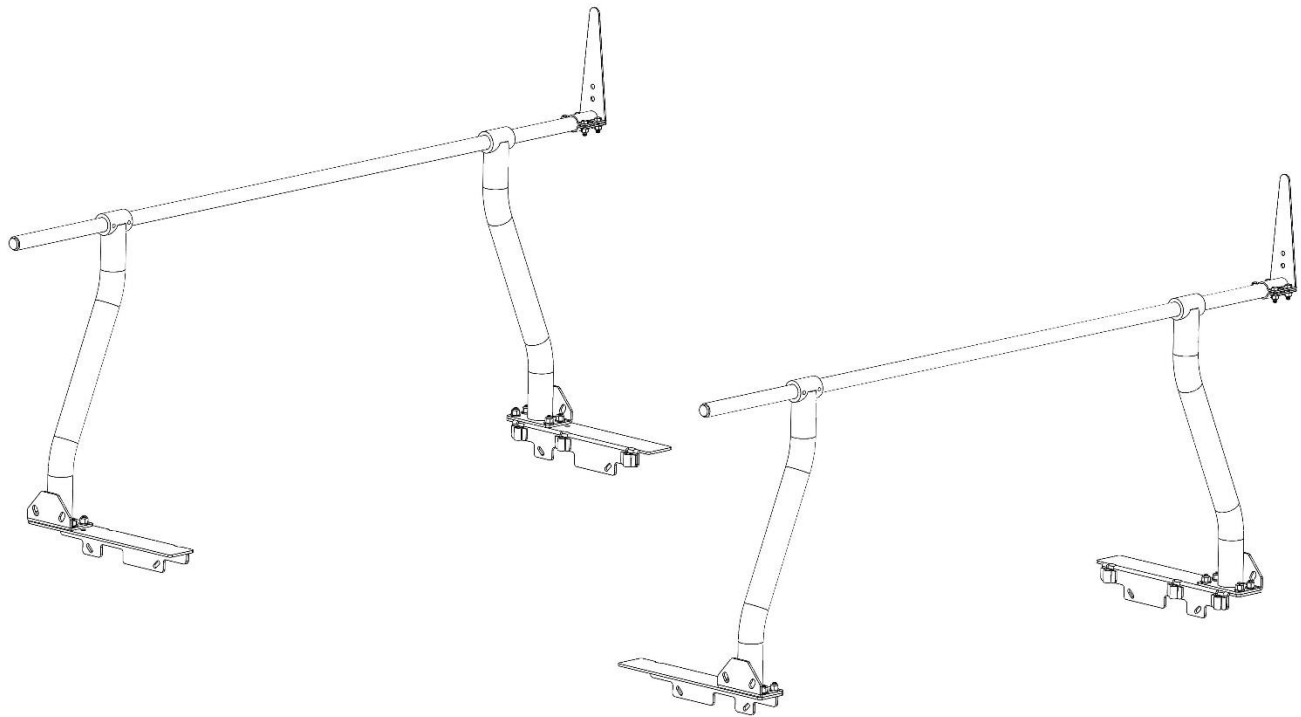




WE PUT EVERYTHING WITHIN REACH.

Installation Guide

31010



Kargo Master
Rancho Cordova, CA 95742
800-343-7486
CustomerService@Safari.com

DATE: _____

***PLEASE READ ALL INSTRUCTIONS AND WARNINGS PRIOR TO ASSEMBLING,
INSTALLING, AND USING THIS PRODUCT***

Warning



Always check for wires, fuel tanks and lines, brake lines and other important vehicle functionality items prior to drilling and installing all products.

Tools Needed

1/2" Wrench and Socket	
------------------------	--

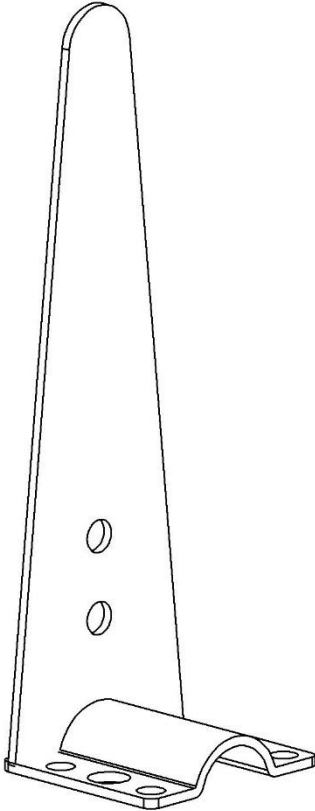
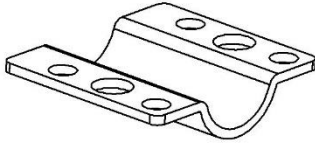
Table of Contents

Parts List 2
Hardware List 2
Step 1 Find Location and Attach 3

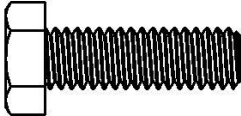
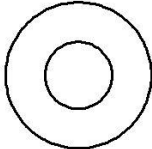

Before You Begin

- Read all instructions.
- Use ladder stops in any location or orientation for desired use.

Parts

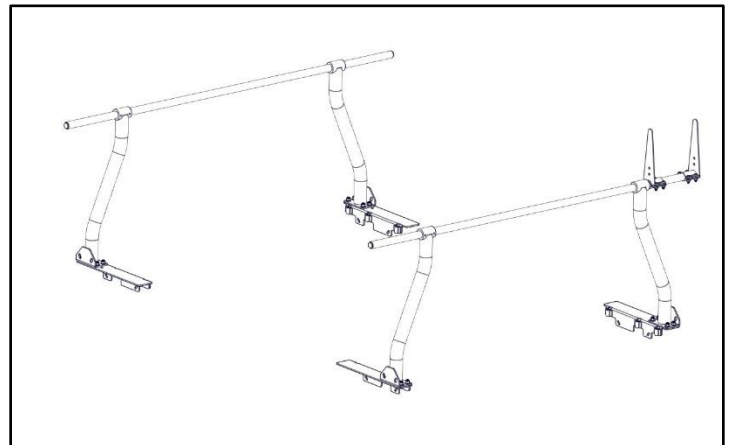
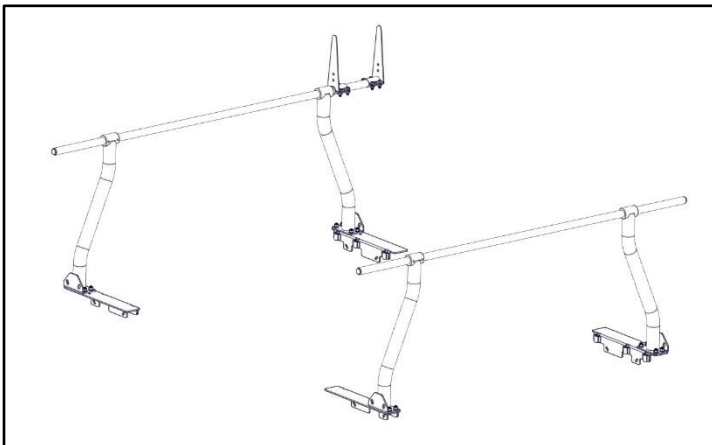
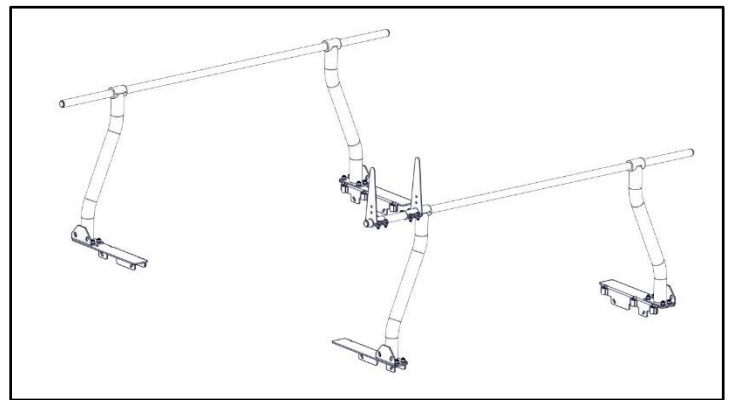
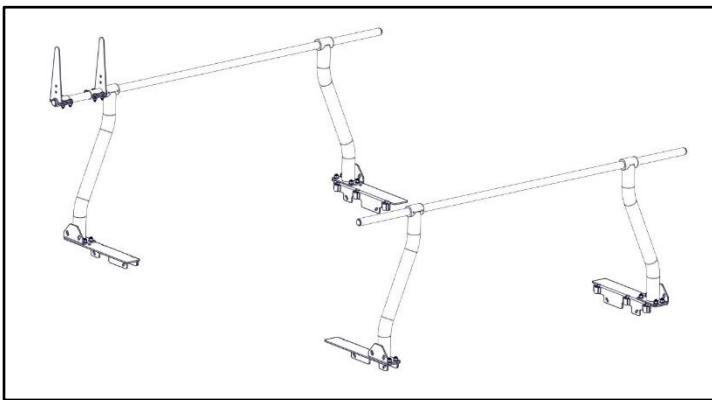
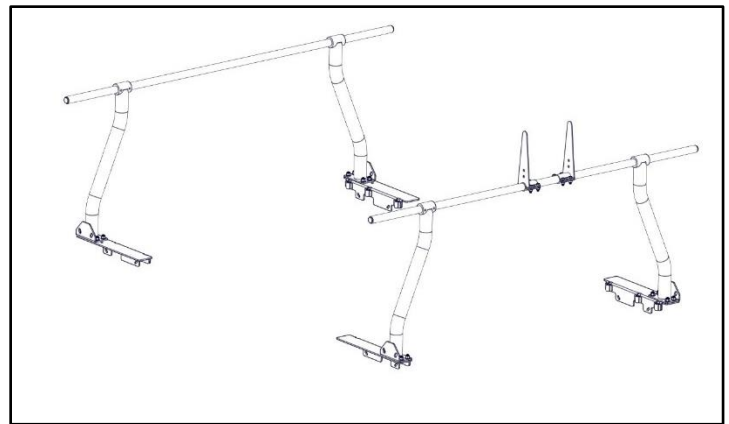
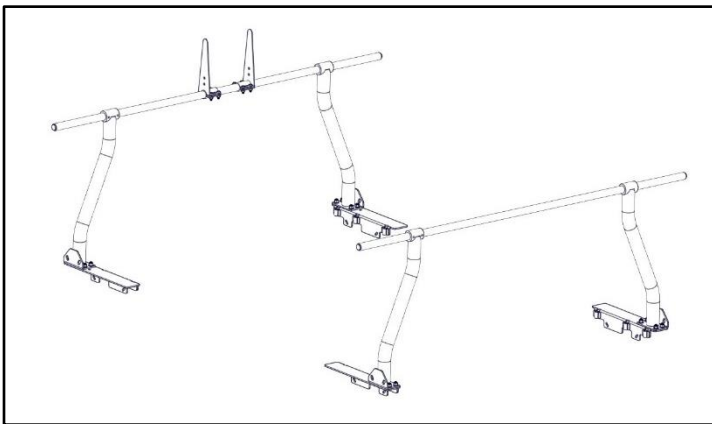
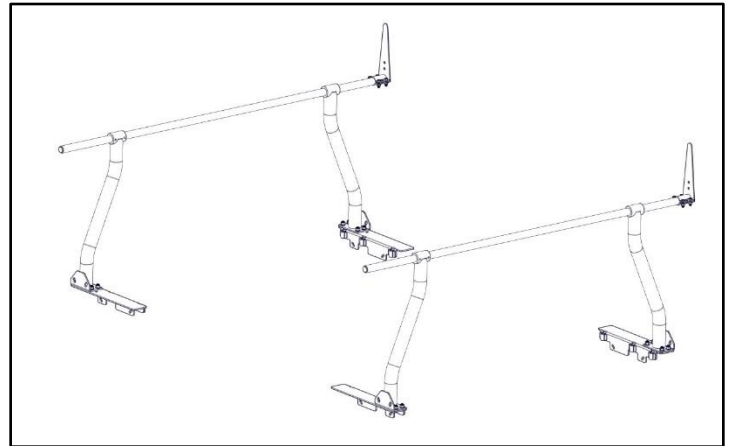
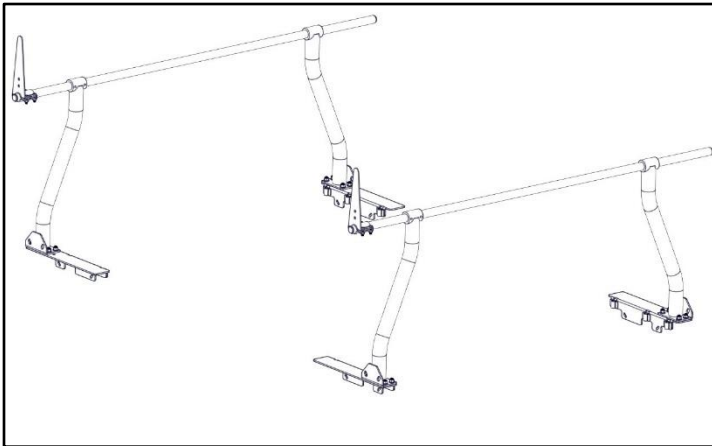
ITEM NO.		PART NUMBER	DESCRIPTION	QTY.
A		31010-10	LOAD DIVIDER ASM	2
B		31010-00-001	LOAD DIVIDER CLAMP	2
		18-31010	HARDWARE	1

Hardware

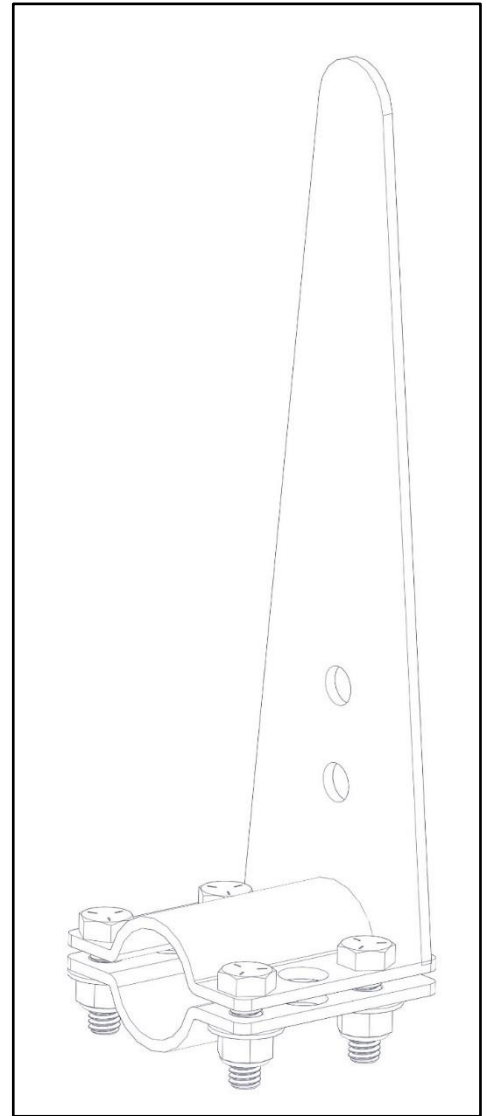
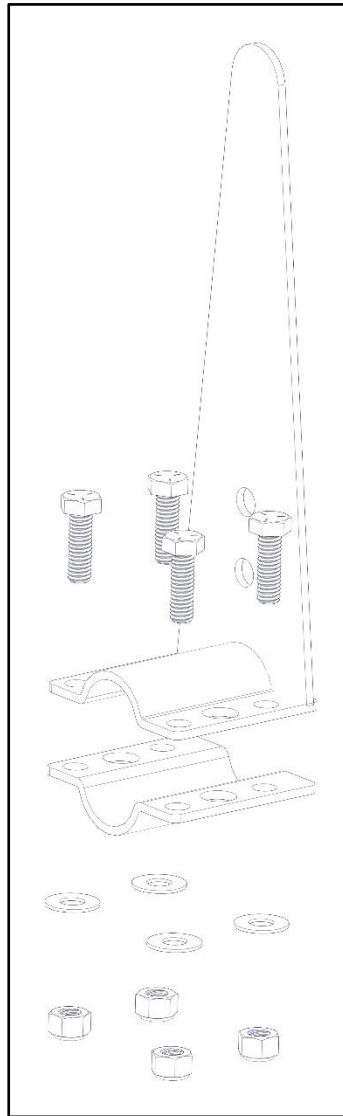
ITEM NO.	TO SCALE	PART NUMBER	DESCRIPTION	QTY.
1		92865A583	5/16" x 1" Hex Head	8
2		90107A030	5/16" Flat Washer	8
3		95615A160	5/16"-18 Nyloc	8

Step 1 – Find location and Attach

- Find desired location to attach load dividers. Some examples are show below.



- Place load divider in desired location. Place clamp on bottom side.
- Bolt together using four 5/16" x 1" hex heads, four 5/16" flat washers and four 5/16" nylock nuts.
- Repeat at both locations.



POSITION AND SQUARE LOAD DIVIDER TO YOUR LIKING.

TIGHTEN ALL HARDWARE