

# SafariJeeps

by Kargo Master

## FROM ORDINARY TO EXTRAORDINARY



- *CONGO CAGES*
- *SAFARI BASKETS*
- *ACCESSORIES*

# CONGO CAGES

## GOING ON AN OUTDOOR ADVENTURE?

The unique Kargo Master Congo Cage is the strongest in the industry... strong enough to carry all of your recreational gear... surf boards, skies, canoes, kayaks, bikes, camping gear, spare tires...everything.

The Congo Cage is rock solid, made with 1 5/8" dia. high tensile strength steel tubing. No-Drill installation makes this system perfect for the do-it-yourselfer. Epoxy zinc primer and marine grade black gloss powder coat provide a durable and corrosion resistant finish. Hit the trail or the beach with a **Kargo Master Congo Cage**.

**Part # 50301** – Jeep Congo Cage for CJ7 & YJ Up to 1995

**Part# 50311** – Jeep Congo Cage for TJ 1997 & Up

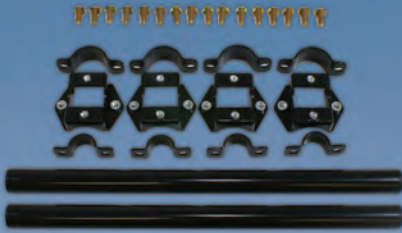
**Part # 50331** – Jeep Congo Cage for TJ Unlimited 2005 & 2006

**Part # 50341** – Jeep Congo Cage for JK 2 Door 2007 & Up

**Part # 50351** – Jeep Congo Cage for JK 4 Door 2007 & Up

## CONGO CAGE ACCESSORIES

Learn more about our Congo Cage packages which includes a safari basket.



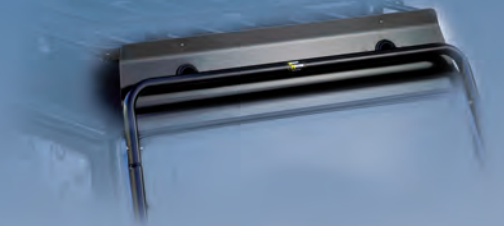
**Part # 60121**

Congo Cage Utility Cross Bars  
Yakima accessories mount directly to these strong 1 1/8" dia. tubes.



**Part # 60131**

Brackets to Mount  
Yakima Bar to Congo Cage



**Part # 60161**

Congo Cage Wind Deflector  
*Significantly reduces wind noise from factory fabric top, Congo Cage, and Safari Basket. Your Jeep will run quieter than ever.*



**Part # 50561**

Brackets to Mount Safari  
Basket to Congo Cage



**Part # 60141**

Load/Hull Retainers  
for Utility Cross Bars (4 per set)

**SafariJeeps**  
by Kargo Master

# SAFARI BASKETS FOR JEEPS AND SUVs

Our stylish and durable Safari Basket racks are the best way to contain and transport the gear you need for big adventures. The 4" deep basket is highly crafted from 1" round steel tubing. Floor rails are made from lightweight rust proof 1" square aluminum tubing. Epoxy zinc primer and a marine grade black gloss powder coat provide a handsome, durable and rust resistant finish. These racks are sized to mount perfectly on our Congo Cages and to maximize the above roof carrying capacity of your Jeep or SUV.



◀ **Part # 50261**  
Hood Safari Basket

**Part # 50460** ▶

Weekender Safari Basket System  
EZ On – EZ Off makes this Safari Basket system perfect for a weekend excursion. Includes Part # 50241 and Part # 50501



## Bushman Steel Safari Baskets for Jeeps & SUVs

**Part # 50201** – Safari Basket - 42" W X 50" L

**Part # 50231** – Safari Basket - 52" W X 60" L

**Part # 50241** – Safari Basket - 52" W X 50" L

**Part # 50251** – Safari Basket - 52" W X 74" L

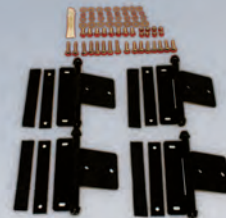
# SAFARI BASKET MOUNT OPTIONS



**Part # 50501**  
Brackets to Mount Safari Basket on Jeep Roll Bar



**Part # 50541**  
Brackets to Mount Safari Basket to Vehicle Rain Gutter



**Part # 50721**  
Brackets to Mount Safari Basket to Fiberglass Roof



**Part # 50621**  
Brackets to Mount Safari Basket to Cherokee XJ Factory Luggage Rack

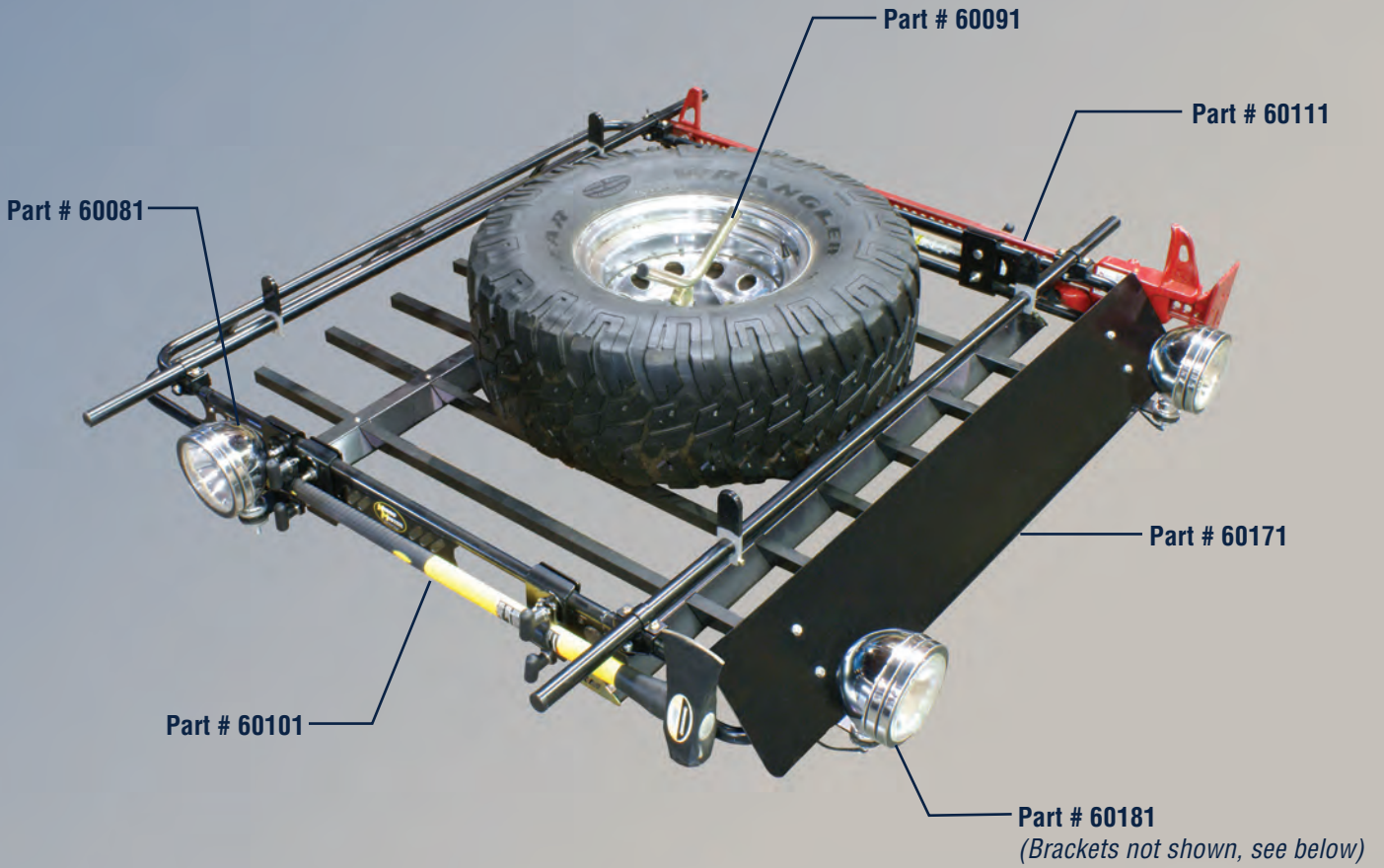


**Part # 50631**  
Brackets to Mount Safari Basket to Vehicle Factory Luggage Rack. Use these if luggage rack rails are on pedestals above the vehicle roof...i.e. if there is a space between roof and rails.



**Part # 50611**  
Brackets to Mount Safari Basket to Vehicle Factory Luggage Rack. Use these if luggage rack rails are "C" channels mounted directly to vehicle roof, with slot in "C" channel opening up.

# SAFARI BASKET ACCESSORIES



**Part # 60171**  
Wind Deflector for  
all 52" W Safari Baskets  
*Significantly reduces wind  
noise from Safari Basket.*



**Part # 60181**  
Brackets to Mount  
Lights on Front of  
Safari Baskets (Pair)



**Part # 60081**  
Brackets to Mount Lights  
on Side of Safari Basket



**Part # 60101**  
Brackets to Mount an Ax or  
Shovel to Safari Basket



**Part # 60111**  
Brackets to Mount A High  
Lift Jack to Safari Basket



**Part # 60091**  
Brackets to Secure Spare  
Tire in Safari Basket

## CONGO CAGE & SAFARI BASKET SYSTEMS



**Part # 50400** - CJ/YJ Up to 1995 Systems  
(includes part # 50301 + 50561+ 50231)

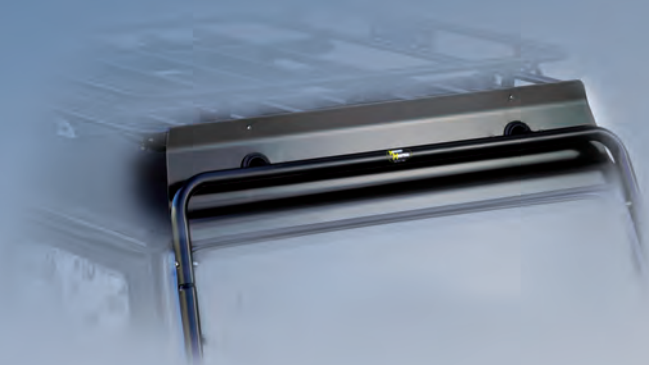
**Part # 50410** - TJ 2 Door Up to 2005 Systems  
(includes part # 50311 + 50561 + 50231)

**Part # 50420** - TJ Unlimited Up to 2006 Systems  
(includes part # 50331 + 50561 + 50251)

**Part # 50430** - JK 2 Door 2007 & Up Systems  
(includes part # 50341 + 50561 + 50231)

**Part # 50450** - JK 4 Door 2007 & Up Systems  
(includes part # 50351 + 50561 + 50251)

## SYSTEM ACCESSORIES



◀ **Part # 60161**  
Congo Cage Wind Deflector





**SafariJeeps**  
by Kargo Master

FROM ORDINARY  
**TO EXTRAORDINARY**

**Kargo Master**

11261 Trade Center Drive  
Rancho Cordova, CA 95742

(916) 638-8703 **Office**

(916) 638-0177 **Fax**

[www.safarijeeps.com](http://www.safarijeeps.com)